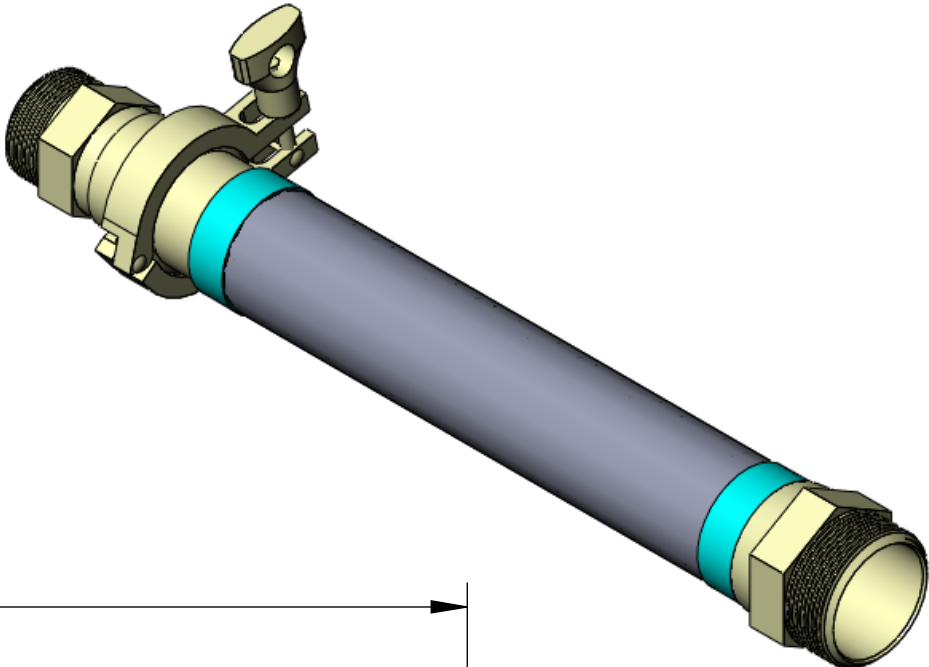
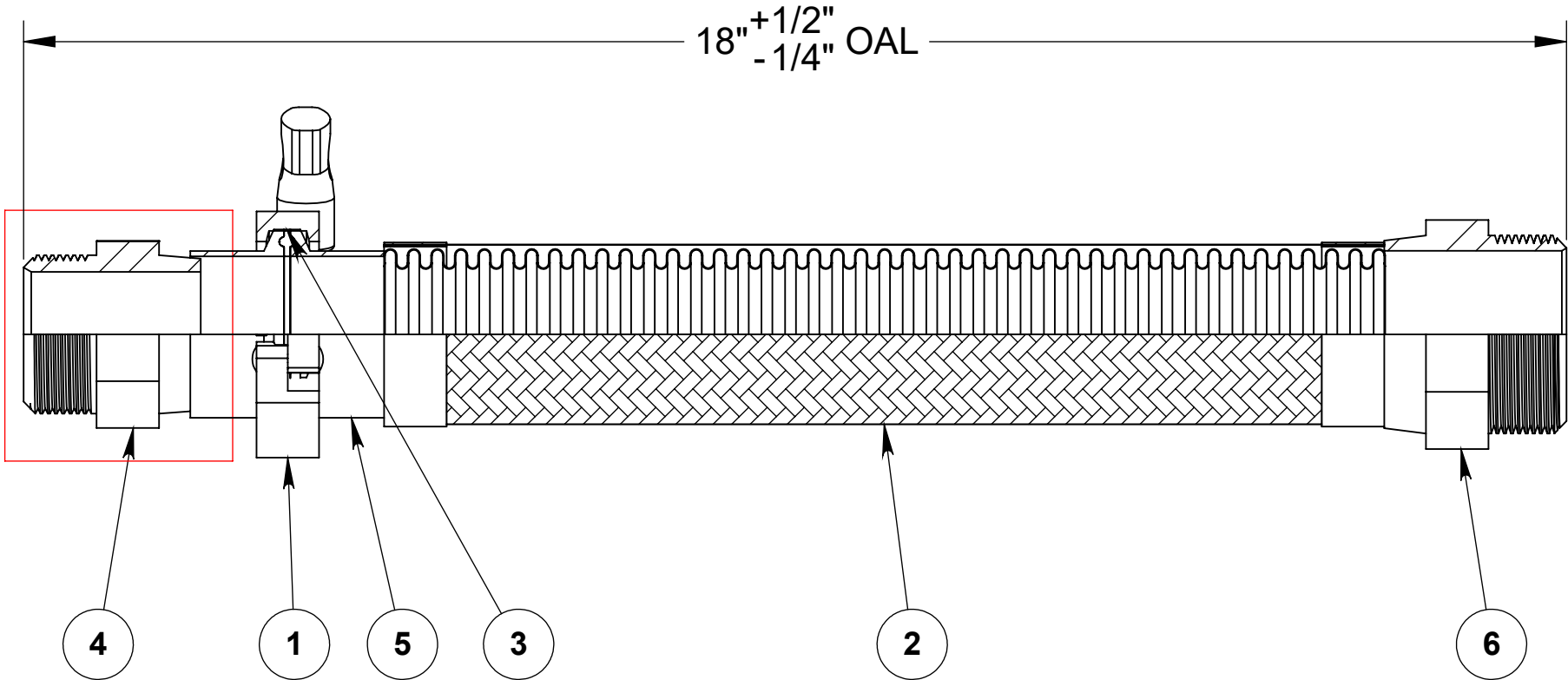


REVISIONS			
REV.	DESCRIPTION	DATE	APPROVED
-		12/1/2023	



Hex male adapter shown represents only one of the various end fittings available. Please refer to catalog for other options.



----- COMPONENTS LIST -----

ITEM #	QTY.	DESCRIPTION	MATERIAL
1	1	2" Quick Clamp Kit	304
2	1	1-1/2" AF4750	300 Series Stainless
3	1	2" QuickClamp Seal	Viton
4	1	1-1/2" Hex Male Adapter	304
5	1	2" Sanitary Flange	304
6	1	2" Hex Male	304



**HOSE MASTER**

1233 East 222nd Street • Cleveland, Ohio 44117  
 (800) 221-2319 • Fax: (216) 481-7557 • www.hosemaster.com  
 Cleveland • Houston • Atlanta • Reno

**ISO 9001**  
Registered Quality System



DESCRIPTION:  
**1-1/2" x 18" OAL FIRESHIELD QUICKCLAMP ASSEMBLY**

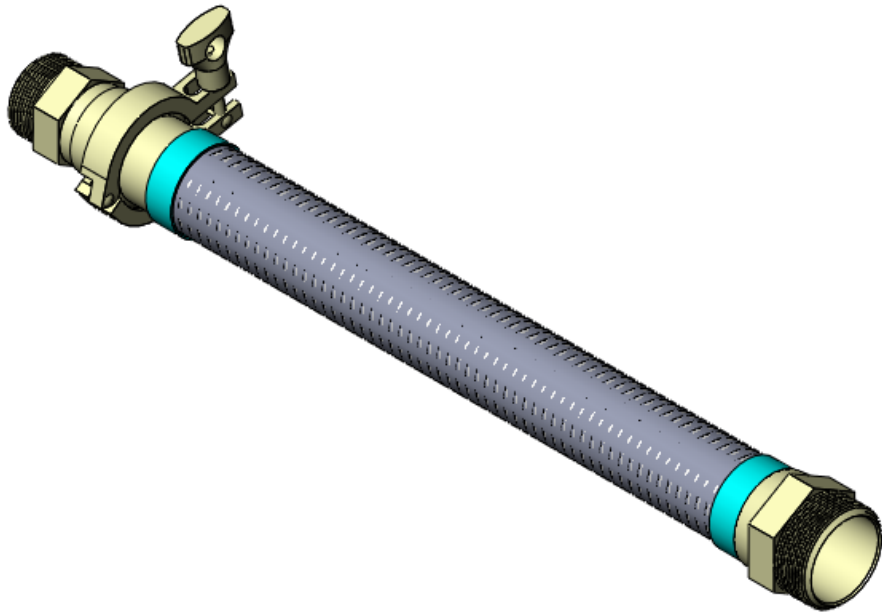
DRAWING #  
**FSQ2M0150x18**

DATE: 12/19/2023

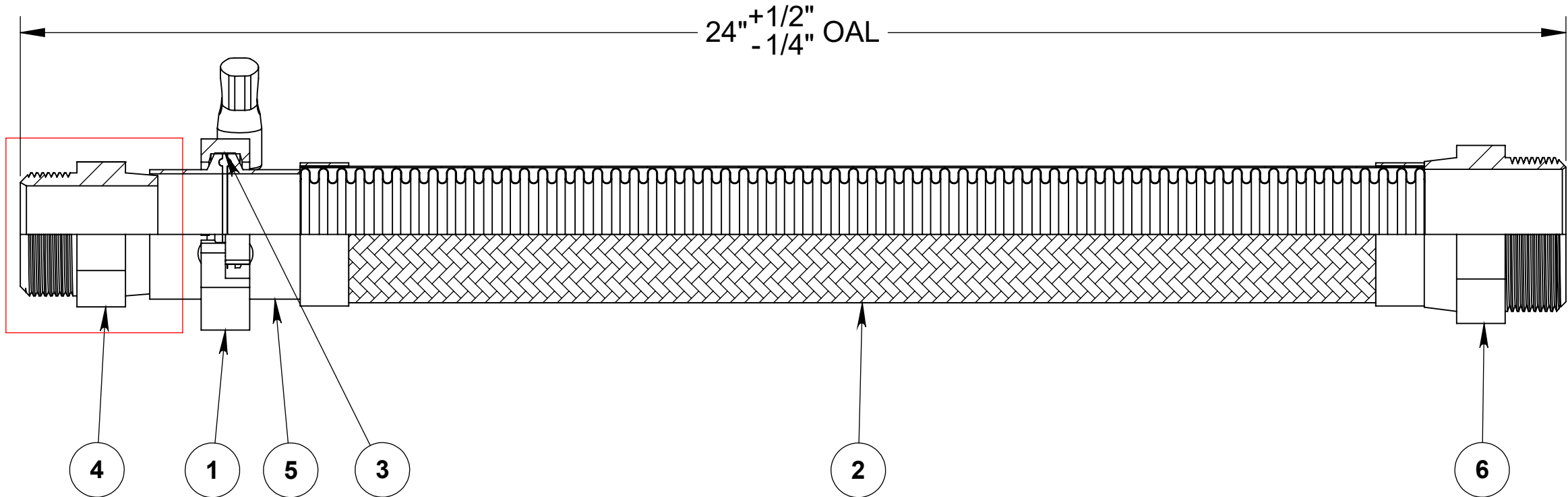
PROJECTION:

REV. - SHEET 1 OF 1

REVISIONS			
REV.	DESCRIPTION	DATE	APPROVED
-		12/1/2023	



Hex male adapter shown represents only one of the various end fittings available. Please refer to catalog for other options.



----- COMPONENTS LIST -----

ITEM #	QTY.	DESCRIPTION	MATERIAL
1	1	2" Quick Clamp Kit	304
2	1	1-1/2" AF4750	300 Series Stainless
3	1	2" QuickClamp Seal	Viton
4	1	1-1/2" Hex Male Adapter	304
5	1	2" Sanitary Flange	304
6	1	2" Hex Male	304



**HOSE MASTER**

1233 East 222nd Street • Cleveland, Ohio 44117  
 (800) 221-2319 • Fax: (216) 481-7557 • www.hosemaster.com  
 Cleveland • Houston • Atlanta • Reno

**ISO 9001**  
 Registered Quality System



DESCRIPTION:  
**1-1/2" x 24" OAL FIRESHIELD QUICKCLAMP ASSEMBLY**

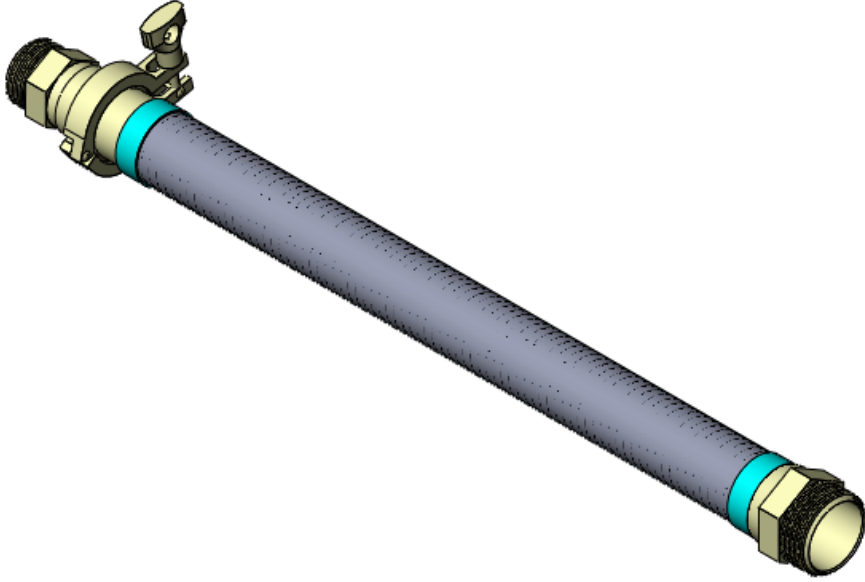
DRAWING #  
**FSQ2M0150x24**

DATE: 12/19/2023

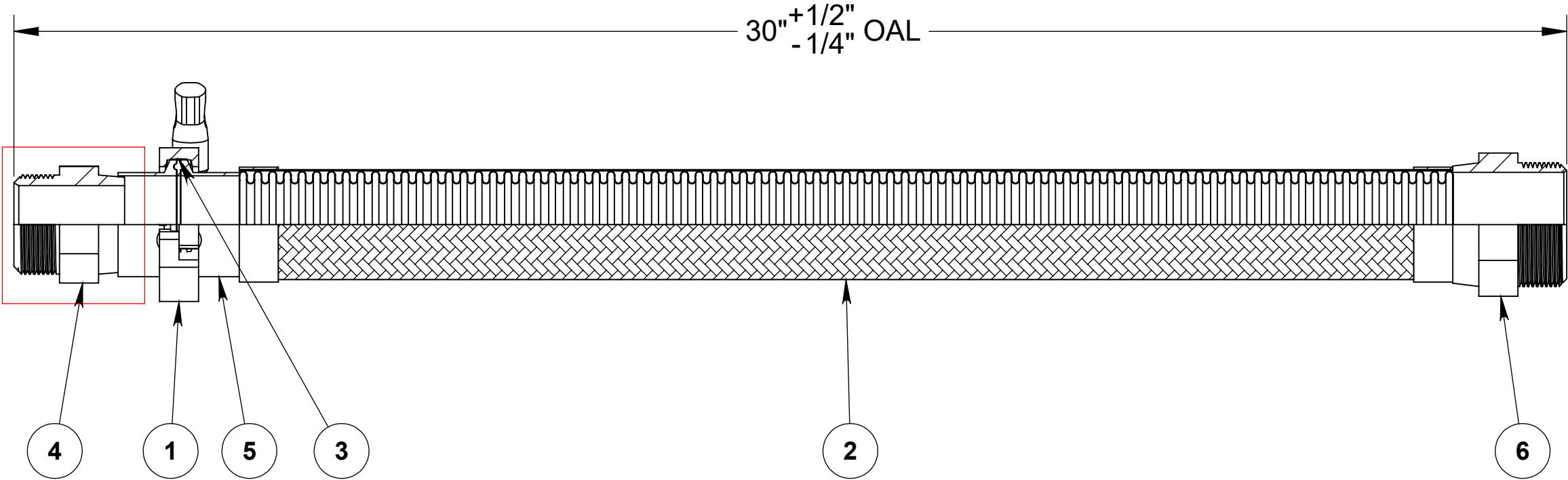
PROJECTION:

REV. - SHEET 1 OF 1

REVISIONS			
REV.	DESCRIPTION	DATE	APPROVED
-		12/1/2023	



Hex male adapter shown represents only one of the various end fittings available. Please refer to catalog for other options.



----- COMPONENTS LIST -----

ITEM #	QTY.	DESCRIPTION	MATERIAL
1	1	2" Quick Clamp Kit	304
2	1	1-1/2" AF4750	300 Series Stainless
3	1	2" QuickClamp Seal	Viton
4	1	1-1/2" Hex Male Adapter	304
5	1	2" Sanitary Flange	304
6	1	2" Hex Male	304



**HOSE MASTER**

1233 East 222nd Street • Cleveland, Ohio 44117  
 (800) 221-2319 • Fax: (216) 481-7557 • www.hosemaster.com  
 Cleveland • Houston • Atlanta • Reno

**ISO 9001**  
 Registered Quality System



DESCRIPTION:  
**1-1/2" x 30" OAL FIRESHIELD QUICKCLAMP ASSEMBLY**

DRAWING #  
**FSQ2M0150x30**

DATE: 12/19/2023

PROJECTION:

REV. - SHEET 1 OF 1