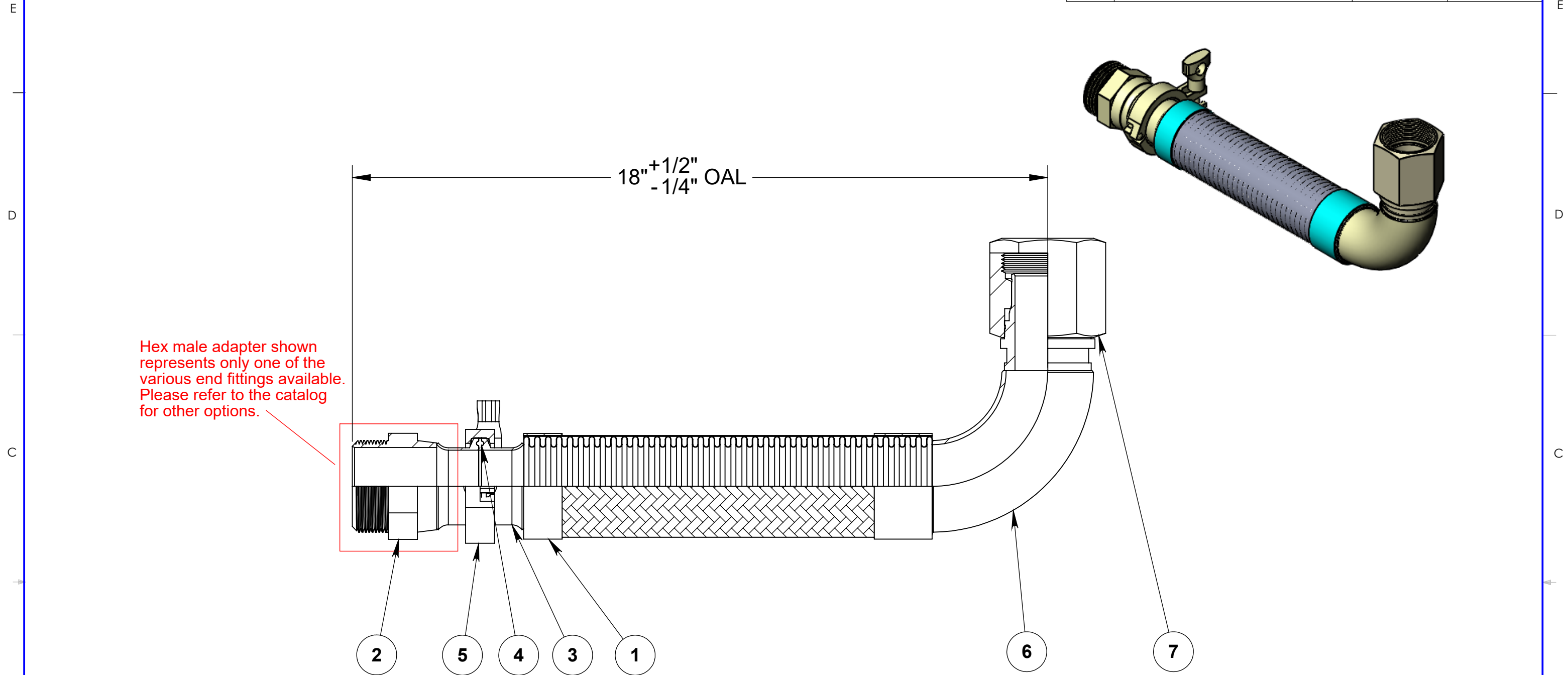


REVISIONS			
REV.	DESCRIPTION	DATE	APPROVED
-		12/19/2023	



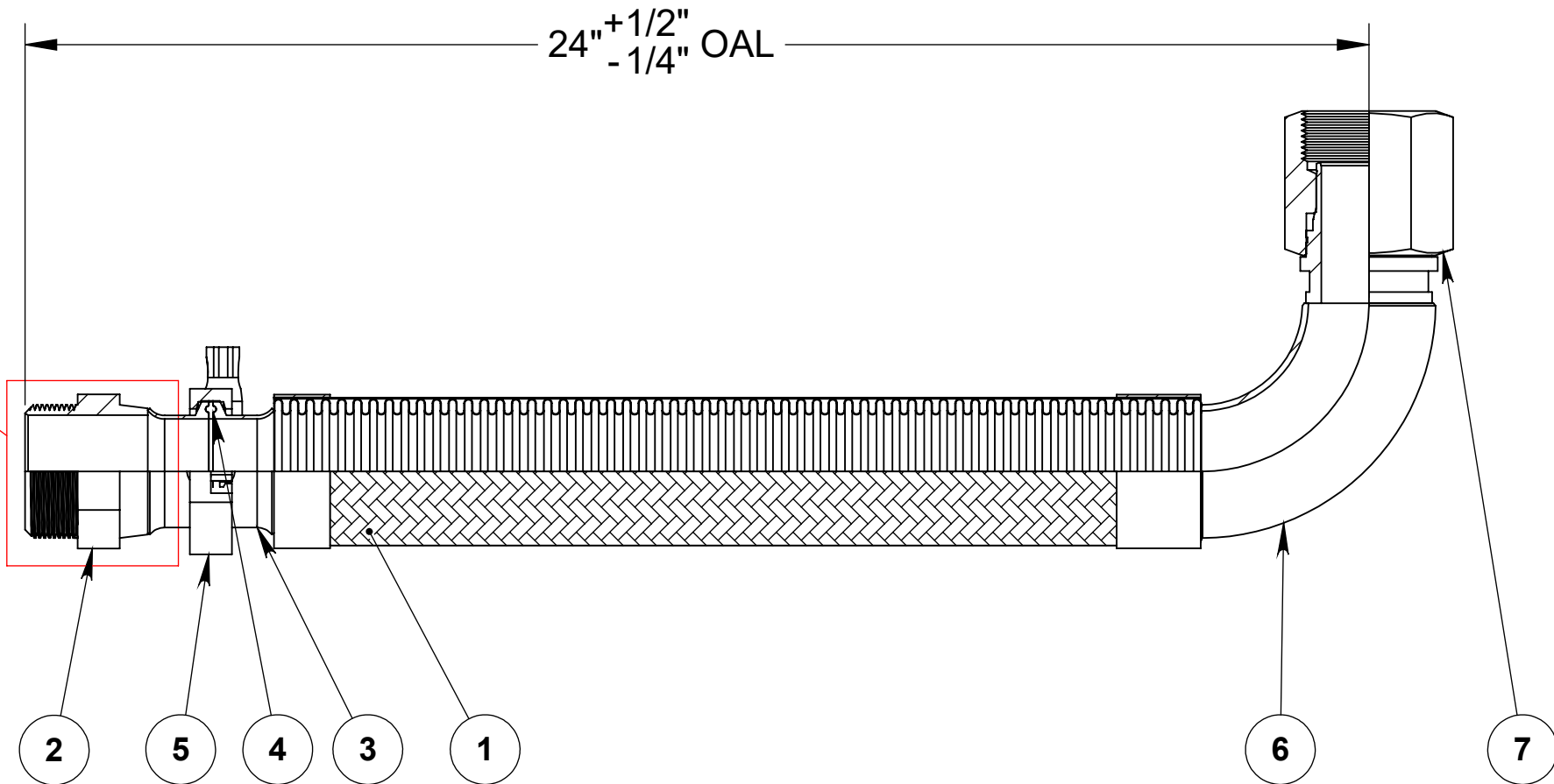
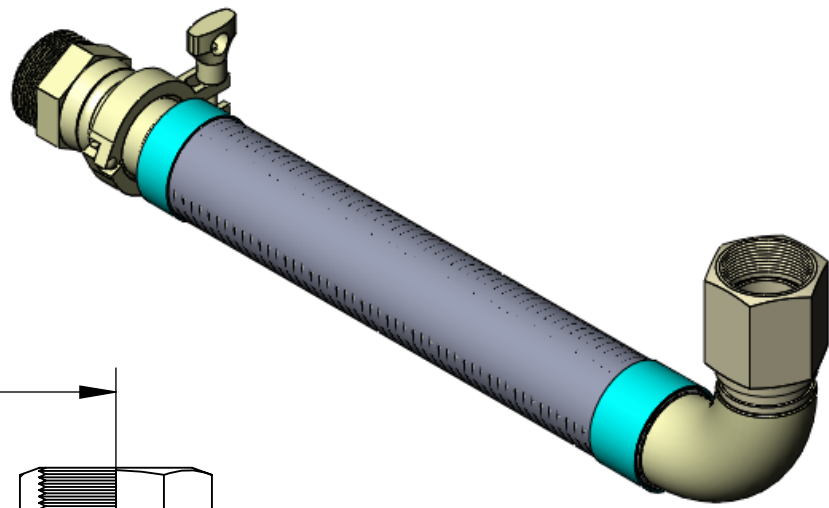
- NOTES:**
1. UL & cULus APPROVED CONNECTORS
 2. OAL IS MEASURED FROM THE CENTERLINE TO THE END OF THE SELECTED FITTING

----- COMPONENTS LIST -----

ITEM #	QTY.	DESCRIPTION	MATERIAL
1	1	2" AF4750	300 Series Stainless
2	1	2" Hex Male Adapter	304
3	1	2" Sanitary Flange	304
4	1	2" QuickClamp Seal	Viton
5	1	2" Quick Clamp Kit	304
6	1	Elbow, Sched 40/STD, 90 Deg, Long Radius, 2.00"	304
7	1	FireShield 2" Female, 2"x11-1/2" Thread, 1.94" Hex	304

	HOSE MASTER 1233 East 222nd Street • Cleveland, Ohio 44117 (800) 221-2319 • Fax: (216) 481-7557 • www.hosemaster.com Cleveland • Houston • Atlanta • Reno	ISO 9001 Registered Quality System 
	DESCRIPTION: 2" FIRESHIELD QUICKCLAMP ASSEMBLY	DATE: 12/19/2023 PROJECTION: 
DRAWING # FSQWE0200x18	REV. - SHEET 1 OF 1	

REVISIONS			
REV.	DESCRIPTION	DATE	APPROVED
-		12/19/2023	



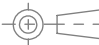


Hex male adapter shown represents only one of the various end fittings available. Please refer to the catalog for other options.

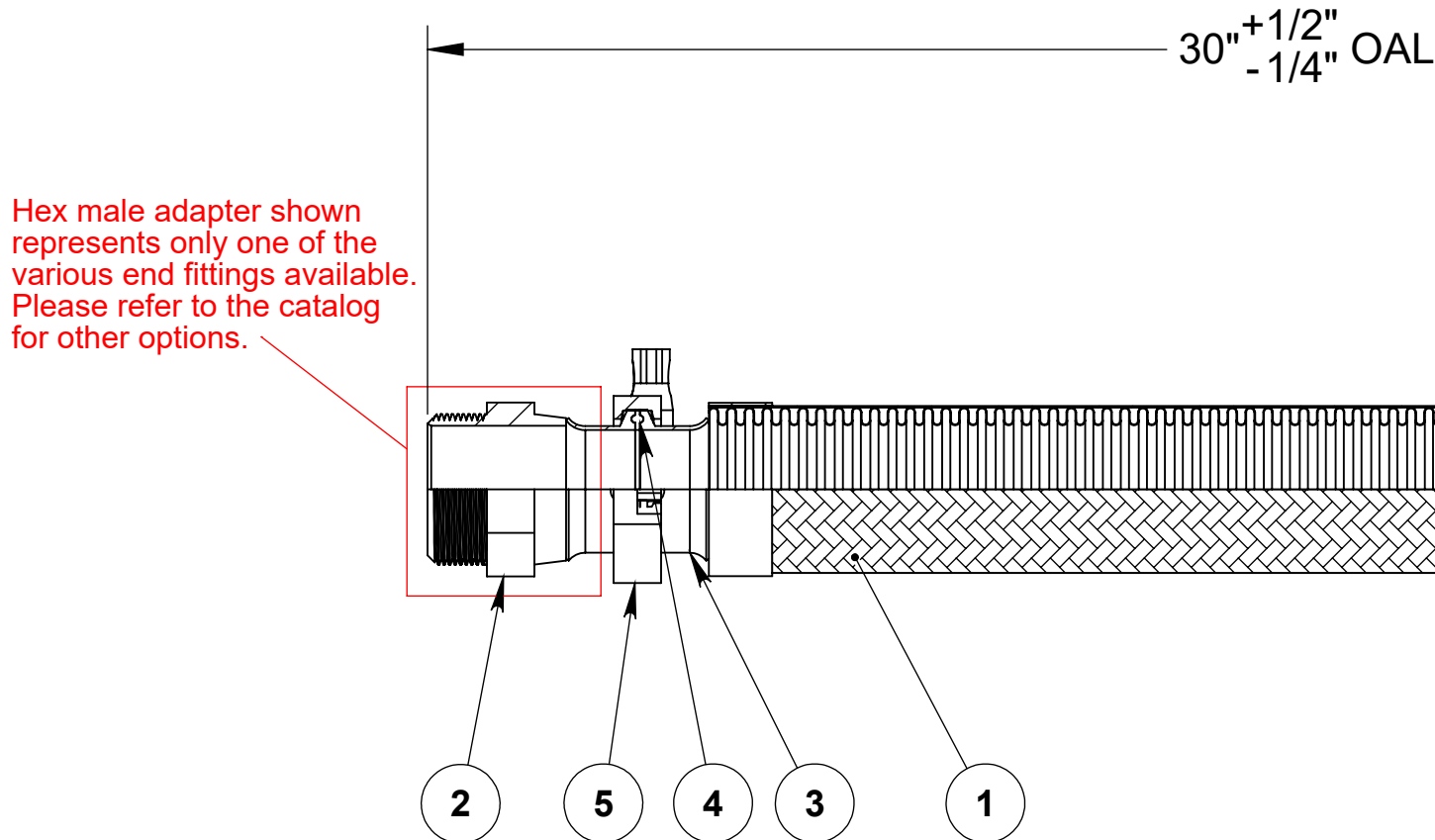
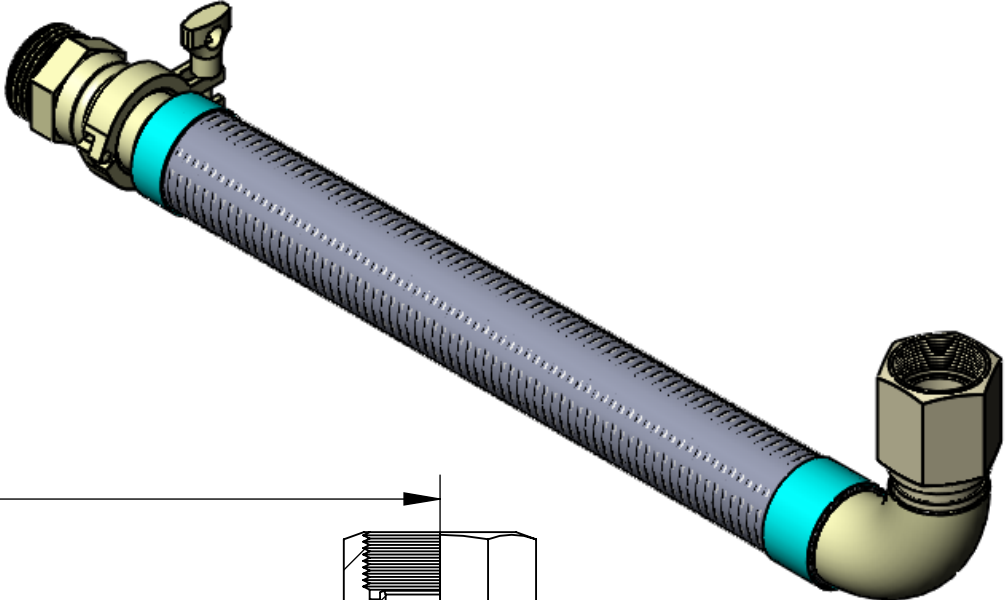
- NOTES:**
1. UL & cULus APPROVED CONNECTORS
 2. OAL IS MEASURED FROM THE CENTERLINE TO THE END OF THE SELECTED FITTING

----- COMPONENTS LIST -----

ITEM #	QTY.	DESCRIPTION	MATERIAL
1	1	2" AF4750	300 Series Stainless
2	1	2" Hex Male Adapter	304
3	1	2" Sanitary Flange	304
4	1	2" QuickClamp Seal	Viton
5	1	2" Quick Clamp Kit	304
6	1	Elbow, Sched 40/STD, 90 Deg, Long Radius, 2.00"	304
7	1	FireShield 2" Female, 2"x11-1/2" Thread, 1.94" Hex	304

	HOSE MASTER 1233 East 222nd Street • Cleveland, Ohio 44117 (800) 221-2319 • Fax: (216) 481-7557 • www.hosemaster.com Cleveland • Houston • Atlanta • Reno	ISO 9001 Registered Quality System 
	DESCRIPTION: 2" FIRESHIELD QUICKCLAMP ASSEMBLY	DATE: 12/19/2023 PROJECTION: 
DRAWING # FSQWE0200x24	REV. - SHEET 1 OF 1	

REVISIONS			
REV.	DESCRIPTION	DATE	APPROVED
-		12/19/2023	



Hex male adapter shown represents only one of the various end fittings available. Please refer to the catalog for other options.

- NOTES:**
1. UL & cULus APPROVED CONNECTORS
 2. OAL IS MEASURED FROM THE CENTERLINE TO THE END OF THE SELECTED FITTING

----- COMPONENTS LIST -----

ITEM #	QTY.	DESCRIPTION	MATERIAL
1	1	2" AF4750	300 Series Stainless
2	1	2" Hex Male Adapter	304
3	1	2" Sanitary Flange	304
4	1	2" QuickClamp Seal	Viton
5	1	2" Quick Clamp Kit	304
6	1	Elbow, Sched 40/STD, 90 Deg, Long Radius, 2.00"	304
7	1	FireShield 2" Female, 2"x11-1/2" Thread, 1.94" Hex	304



HOSE MASTER

1233 East 222nd Street • Cleveland, Ohio 44117
 (800) 221-2319 • Fax: (216) 481-7557 • www.hosemaster.com
 Cleveland • Houston • Atlanta • Reno

ISO 9001
Registered Quality System



DESCRIPTION:
2" FIRESHIELD QUICKCLAMP ASSEMBLY

DRAWING #
FSQWE0200x30

DATE: 12/19/2023

PROJECTION:

REV. - SHEET 1 OF 1