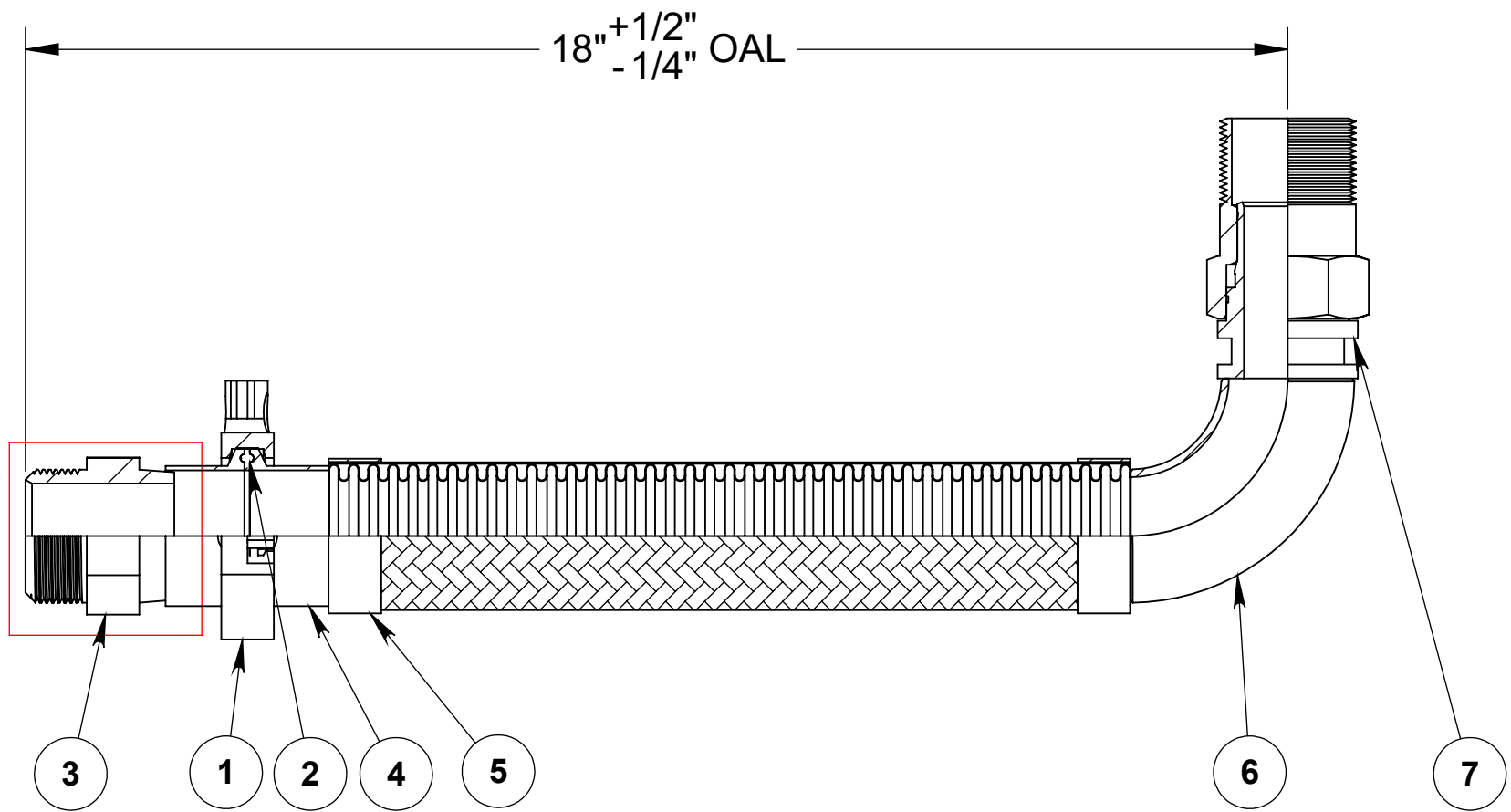
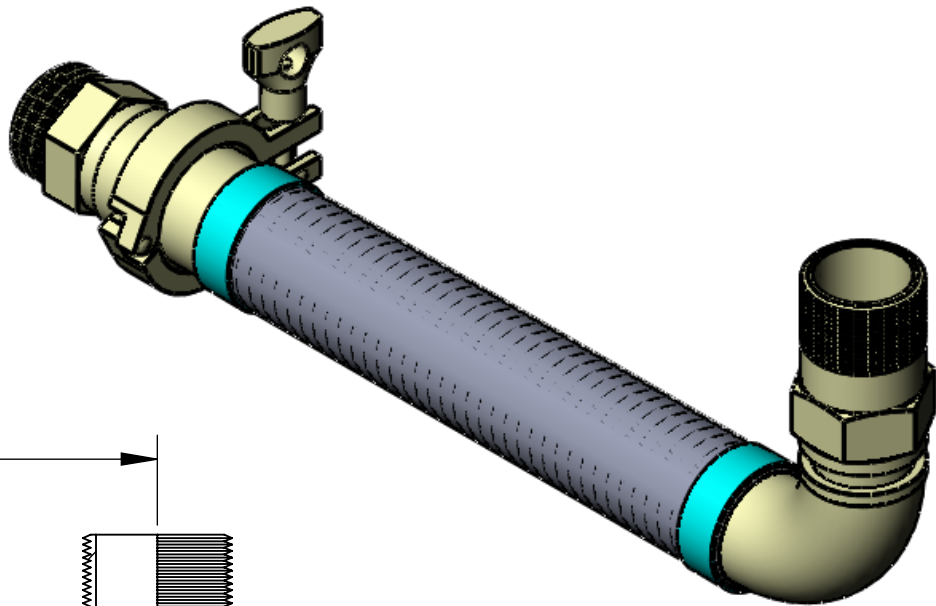


REVISIONS			
REV.	DESCRIPTION	DATE	APPROVED
-		12/11/2023	



Hex male adapter shown represents only one of the various end fittings available. Please refer to the catalog for other options.

- NOTES:**
1. UL & cULus APPROVED CONNECTORS
  2. OAL IS MEASURED FROM THE CENTERLINE TO THE END OF THE SELECTED FITTING

----- COMPONENTS LIST -----

ITEM #	QTY.	DESCRIPTION	MATERIAL
1	1	2" Quick Clamp Kit	304
2	1	2" QuickClamp Seal	Viton
3	1	1-1/2" Hex Male Adapter	304
4	1	2" Sanitary Flange	304
5	1	1-1/2" AF4750	300 Series Stainless
6	1	Elbow, Sched 40/STD, 90 Deg, Long Radius, 1-1/2"	304
7	1	FireShield 1-1/2" Male Swivel, 1-1/2"x11-1/2" Thread, 1.94" Hex	304



**HOSE MASTER**

1233 East 222nd Street • Cleveland, Ohio 44117  
 (800) 221-2319 • Fax: (216) 481-7557 • www.hosemaster.com  
 Cleveland • Houston • Atlanta • Reno

**ISO 9001**  
Registered Quality System



DATE: 12/11/2023

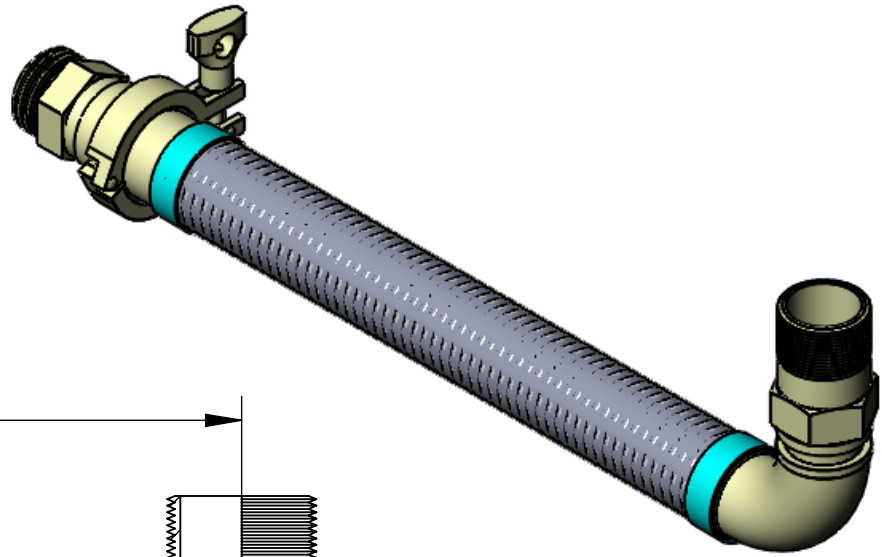
DESCRIPTION:  
**1-1/2" FIRESHIELD QUICKCLAMP ASSEMBLY**

PROJECTION:

DRAWING #  
**FSQSE0150x18**

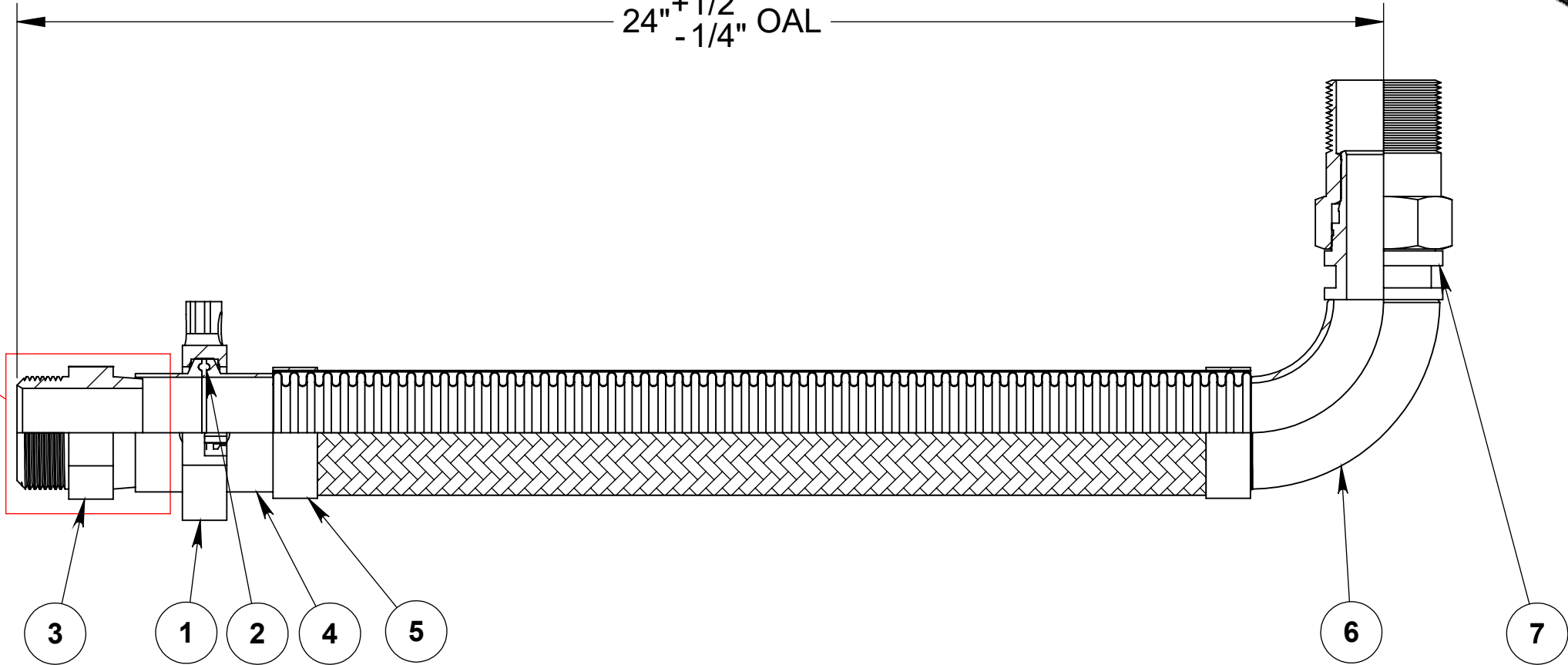
REV. -  
 SHEET 1 OF 1

REVISIONS			
REV.	DESCRIPTION	DATE	APPROVED
-		12/11/2023	



24" +1/2" -1/4" OAL

Hex male adapter shown represents only one of the various end fittings available. Please refer to the catalog for other options.



- NOTES:**
1. UL & cULus APPROVED CONNECTORS
  2. OAL IS MEASURED FROM THE CENTERLINE TO THE END OF THE SELECTED FITTING

----- COMPONENTS LIST -----

ITEM #	QTY.	DESCRIPTION	MATERIAL
1	1	2" Quick Clamp Kit	304
2	1	2" QuickClamp Seal	Viton
3	1	1-1/2" Hex Male Adapter	304
4	1	2" Sanitary Flange	304
5	1	1-1/2" AF4750	300 Series Stainless
6	1	Elbow, Sched 40/STD, 90 Deg, Long Radius, 1-1/2"	304
7	1	FireShield 1-1/2" Male Swivel, 1-1/2"x11-1/2" Thread, 1.94" Hex	304



**HOSE MASTER**

1233 East 222nd Street • Cleveland, Ohio 44117  
 (800) 221-2319 • Fax: (216) 481-7557 • www.hosemaster.com  
 Cleveland • Houston • Atlanta • Reno

ISO 9001  
Registered Quality System



DATE: 12/11/2023

DESCRIPTION:

**1-1/2" FIRESHIELD QUICKCLAMP ASSEMBLY**

PROJECTION:



DRAWING #

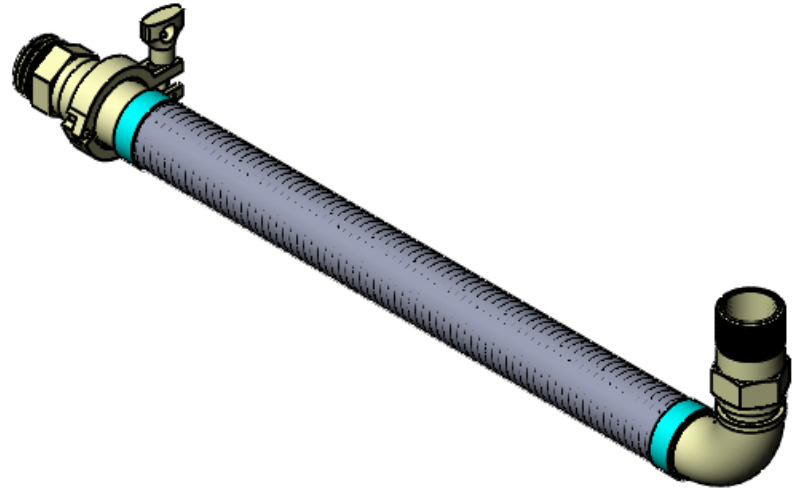
**FSQSE0150x24**

REV.

-

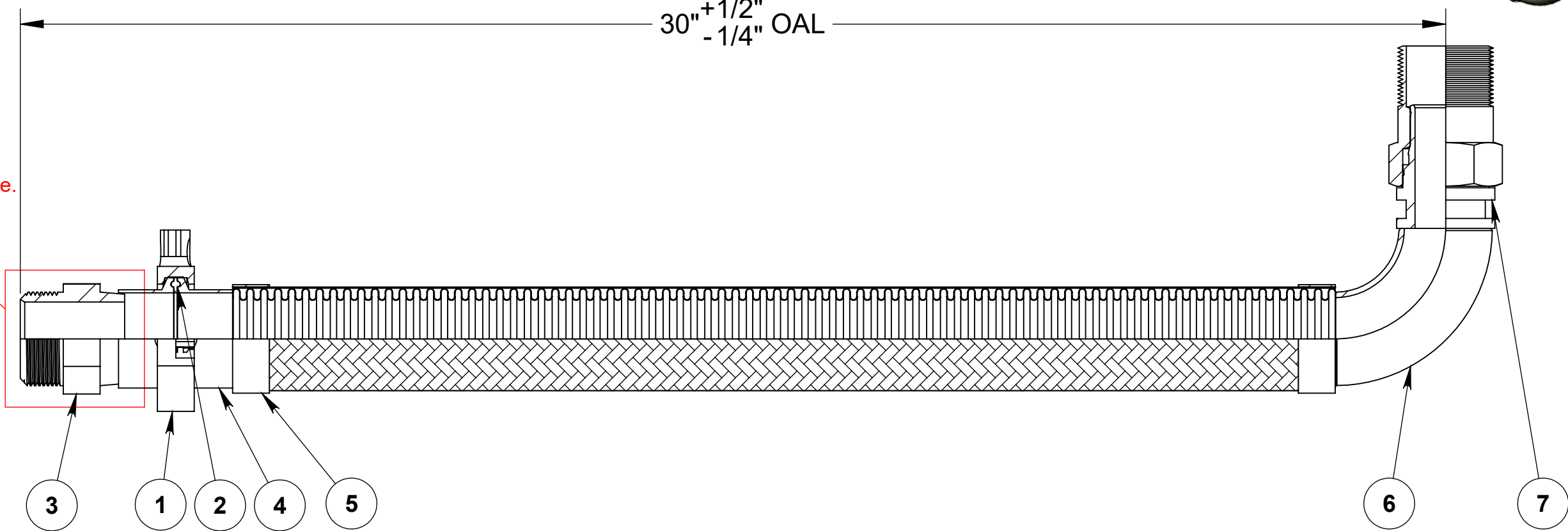
SHEET  
1 OF 1

REVISIONS			
REV.	DESCRIPTION	DATE	APPROVED
-		12/11/2023	



30" +1/2"  
- 1/4" OAL

Hex male adapter shown represents only one of the various end fittings available. Please refer to the catalog for other options.



- NOTES:**
1. UL & cULus APPROVED CONNECTORS
  2. OAL IS MEASURED FROM THE CENTERLINE TO THE END OF THE SELECTED FITTING

----- COMPONENTS LIST -----

ITEM #	QTY.	DESCRIPTION	MATERIAL
1	1	2" Quick Clamp Kit	304
2	1	2" QuickClamp Seal	Viton
3	1	1-1/2" Hex Male Adapter	304
4	1	2" Sanitary Flange	304
5	1	1-1/2" AF4750	300 Series Stainless
6	1	Elbow, Sched 40/STD, 90 Deg, Long Radius, 1-1/2"	304
7	1	FireShield 1-1/2" Male Swivel, 1-1/2"x11-1/2" Thread, 1.94" Hex	304



**HOSE MASTER**

1233 East 222nd Street • Cleveland, Ohio 44117  
 (800) 221-2319 • Fax: (216) 481-7557 • www.hosemaster.com  
 Cleveland • Houston • Atlanta • Reno

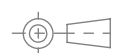
**ISO 9001**  
Registered Quality System



DESCRIPTION:  
**1-1/2" FIRESHIELD QUICKCLAMP ASSEMBLY**

DATE: 12/11/2023

PROJECTION:



DRAWING #  
**FSQSE0150x30**

REV. - SHEET 1 OF 1