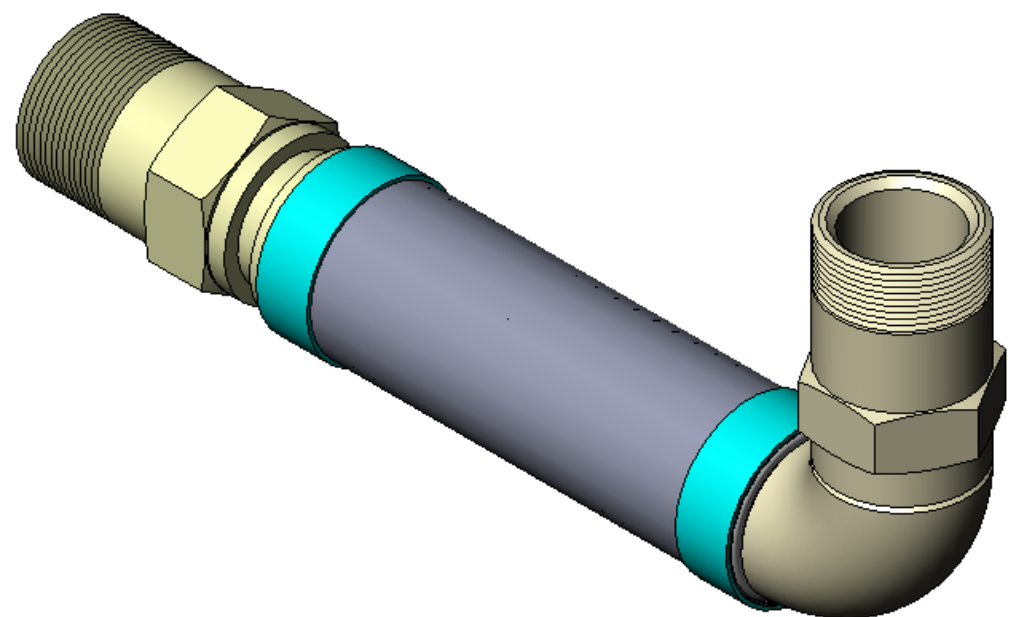
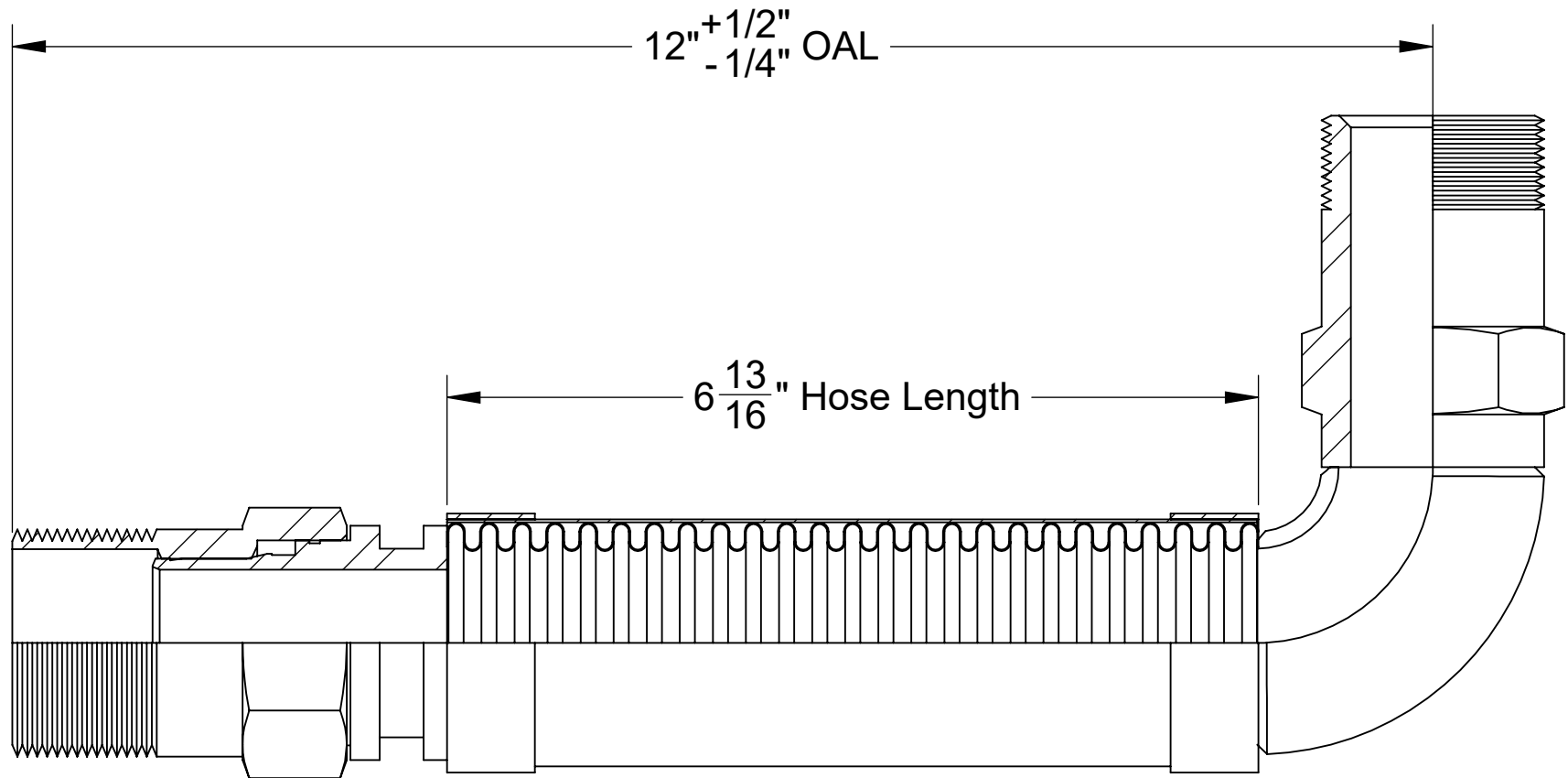


8 7 6 5 4 3 2 1

REVISIONS			
REV.	DESCRIPTION	DATE	APPROVED
-		8/21/2023	



----- COMPONENTS LIST -----

ITEM #	QTY.	PART NUMBER	DESCRIPTION	MATERIAL	WEIGHT
1	1	HOSE	300 Series Stainless Corrugated Hose	Stainless Steel	0.29
2	2	BRAID	300 Series Stainless Steel	Stainless Steel	0.03
3	1	BRAID COLLAR	0.05" Thick	Stainless Steel	0.07
4	1	1.5" ELBOW	1.5" Short Radius Elbow, Sch. 40	Stainless Steel	0.35
5	1	1.5" MALE	1.5" Male, 1-1/2"x11-1/2" Thread, 1.94" Hex	Stainless Steel	1.13
6	1	1.5" MALE SWIVEL	1.5" Male Swivel, 1-1/2"x11-1/2" Thread, 1.94" Hex	Stainless Steel	1.40



**HOSE MASTER**

1233 East 222nd Street • Cleveland, Ohio 44117  
 (800) 221-2319 • Fax: (216) 481-7557 • www.hosemaster.com  
 Cleveland • Houston • Atlanta • Reno

**ISO 9001**  
 Registered Quality System



REFERENCE: Fire-Shield - 1.5" Male Swivel x 1.5" 90 Degree Male x 12" OAL

DATE: 9/7/2023

DESCRIPTION:  
 1.5" ID x 12" OAL 300 Series Stainless Corrugated Hose covered by 300 Series Stainless Braid. UL Approved 1.5" Male Swivel Connector x 1.5" ID 90 Degree Male Connector

PROJECTION:



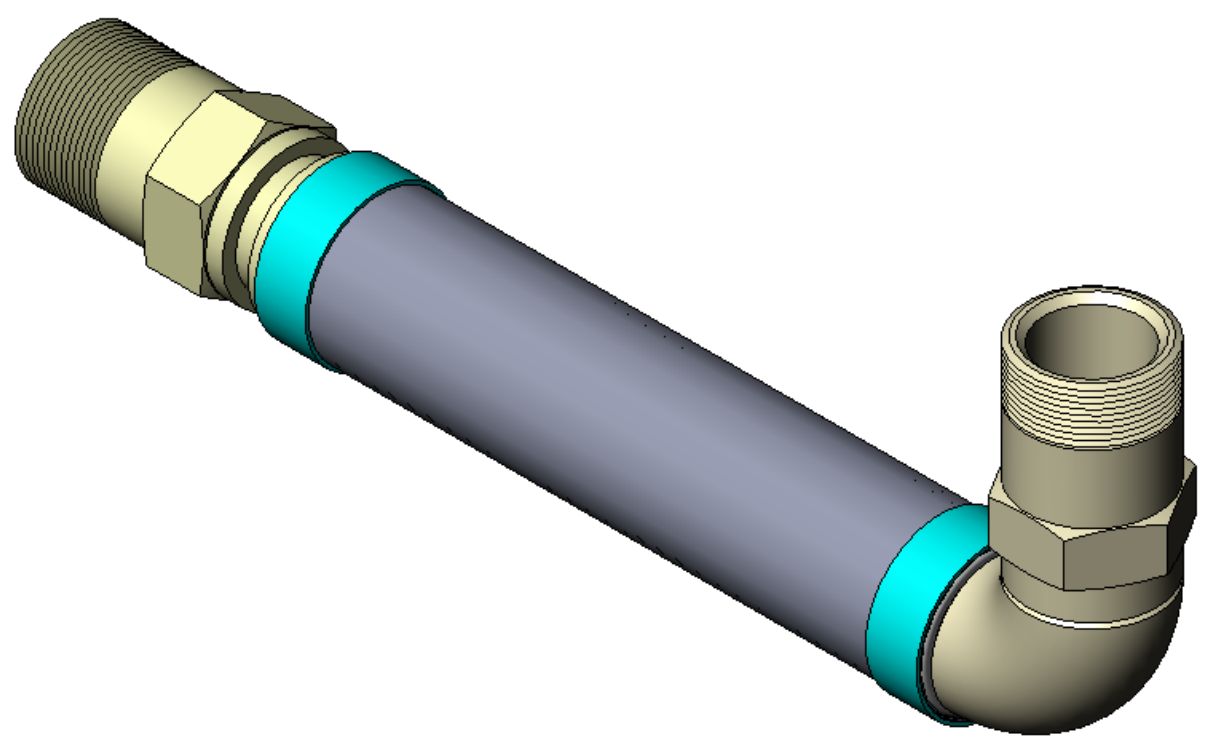
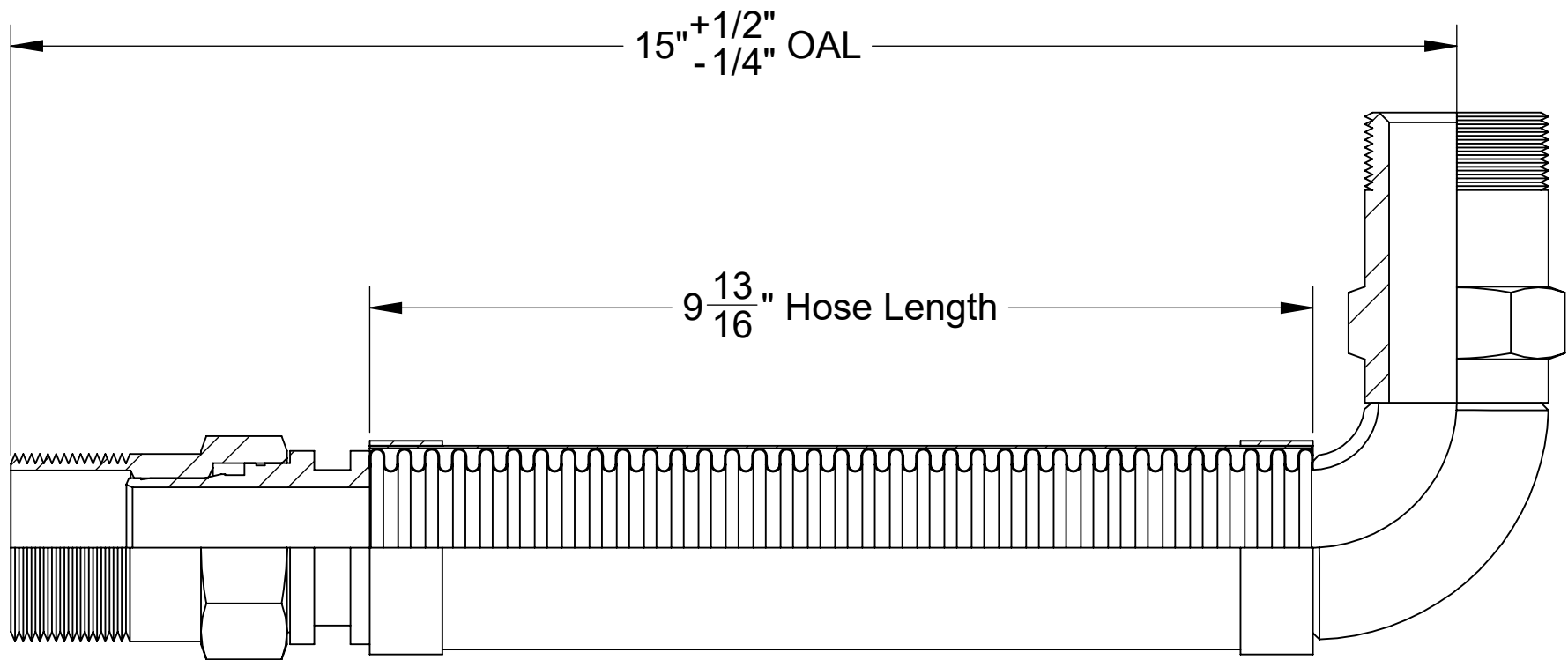
DRAWING # **FSSME0150x12**

REV. SHEET 1 OF 1

8 7 6 5 4 3 2 1

8 7 6 5 4 3 2 1

REVISIONS			
REV.	DESCRIPTION	DATE	APPROVED
-		8/21/2023	



----- COMPONENTS LIST -----

ITEM #	QTY.	PART NUMBER	DESCRIPTION	MATERIAL	WEIGHT
1	1	HOSE	300 Series Stainless Corrugated Hose	Stainless Steel	0.42
2	2	BRAID	300 Series Stainless Steel	Stainless Steel	0.04
3	1	BRAID COLLAR	0.05" Thick	Stainless Steel	0.07
4	1	1.5" ELBOW	1.5" Short Radius Elbow, Sch. 40	Stainless Steel	0.35
5	1	1.5" MALE	1.5" Male, 1-1/2"x11-1/2" Thread, 1.94" Hex	Stainless Steel	1.13
6	1	1.5" MALE SWIVEL	1.5" Male Swivel, 1-1/2"x11-1/2" Thread, 1.94" Hex	Stainless Steel	1.40



**HOSE MASTER**

1233 East 222nd Street • Cleveland, Ohio 44117  
 (800) 221-2319 • Fax: (216) 481-7557 • www.hosemaster.com  
 Cleveland • Houston • Atlanta • Reno

**ISO 9001**  
 Registered Quality System



REFERENCE: Fire-Shield - 1.5" Male Swivel x 1.5" 90 Degree Male x 15" OAL

DATE: 9/7/2023

DESCRIPTION:  
 1.5" ID x 15" OAL 300 Series Stainless Corrugated Hose covered by 300 Series Stainless Braid. UL Approved 1.5" Male Swivel Connector x 1.5" ID 90 Degree Male Connector

PROJECTION:



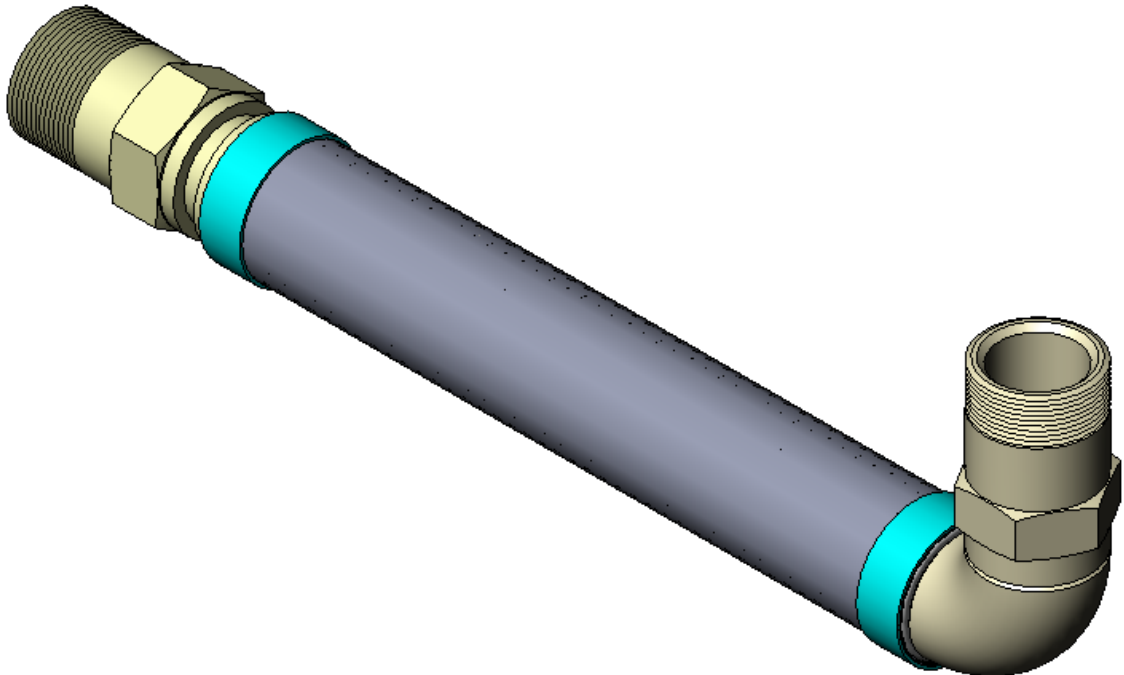
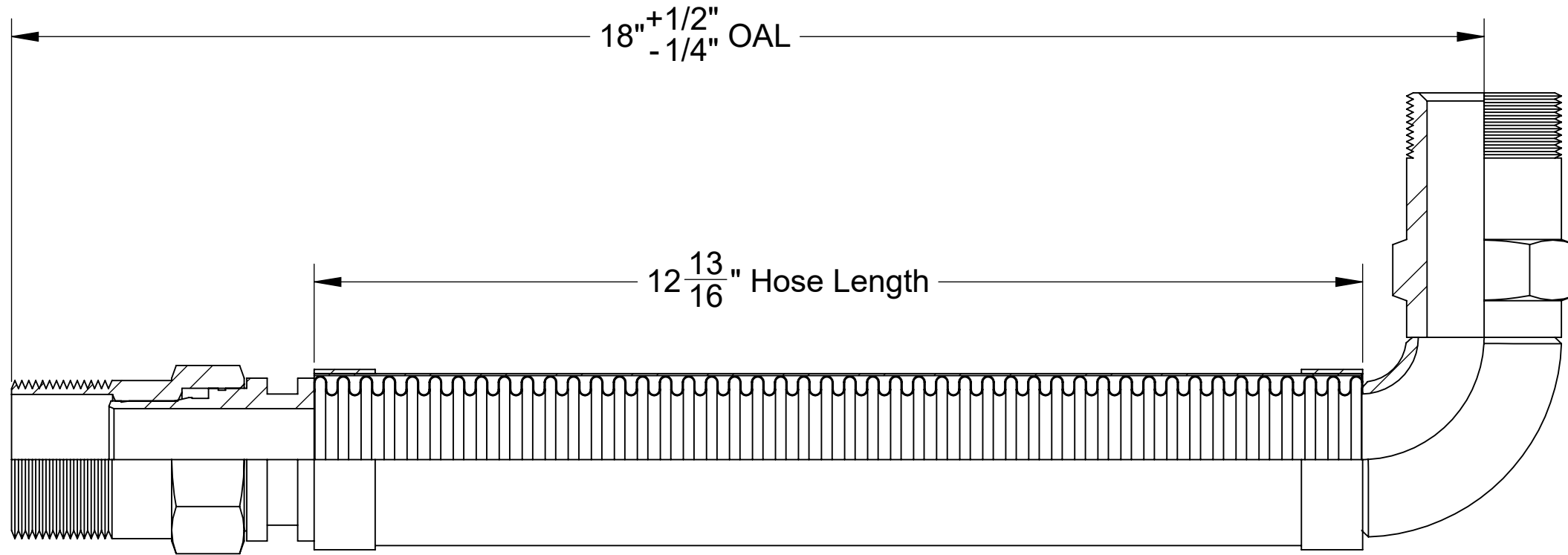
DRAWING # **FSSME0150x15**

REV. SHEET 1 OF 1

8 7 6 5 4 3 2 1

8 7 6 5 4 3 2 1

REVISIONS			
REV.	DESCRIPTION	DATE	APPROVED
-		8/21/2023	



----- COMPONENTS LIST -----

ITEM #	QTY.	PART NUMBER	DESCRIPTION	MATERIAL	WEIGHT
1	1	HOSE	300 Series Stainless Corrugated Hose	Stainless Steel	0.55
2	2	BRAID	300 Series Stainless Steel	Stainless Steel	0.05
3	1	BRAID COLLAR	0.05" Thick	Stainless Steel	0.07
4	1	1.5" ELBOW	1.5" Short Radius Elbow, Sch. 40	Stainless Steel	0.35
5	1	1.5" MALE	1.5" Male, 1-1/2"x11-1/2" Thread, 1.94" Hex	Stainless Steel	1.13
6	1	1.5" MALE SWIVEL	1.5" Male Swivel, 1-1/2"x11-1/2" Thread, 1.94" Hex	Stainless Steel	1.40



**HOSE MASTER**

1233 East 222nd Street • Cleveland, Ohio 44117  
 (800) 221-2319 • Fax: (216) 481-7557 • www.hosemaster.com  
 Cleveland • Houston • Atlanta • Reno

**ISO 9001**  
 Registered Quality System

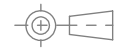


REFERENCE: Fire-Shield - 1.5" Male Swivel x 1.5" 90 Degree Male x 18" OAL

DATE: 9/7/2023

DESCRIPTION:  
 1.5" ID x 18" OAL 300 Series Stainless Corrugated Hose covered by 300 Series Stainless Braid. UL Approved 1.5" Male Swivel Connector x 1.5" ID 90 Degree Male Connector

PROJECTION:



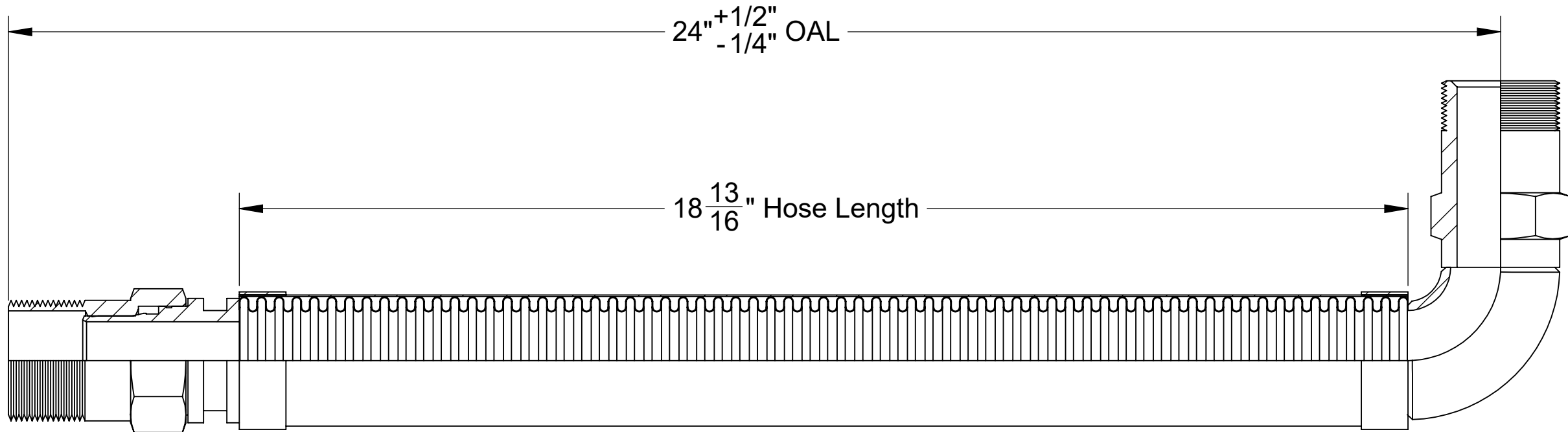
DRAWING # **FSSME0150x18**

REV. SHEET 1 OF 1

8 7 6 5 4 3 2 1

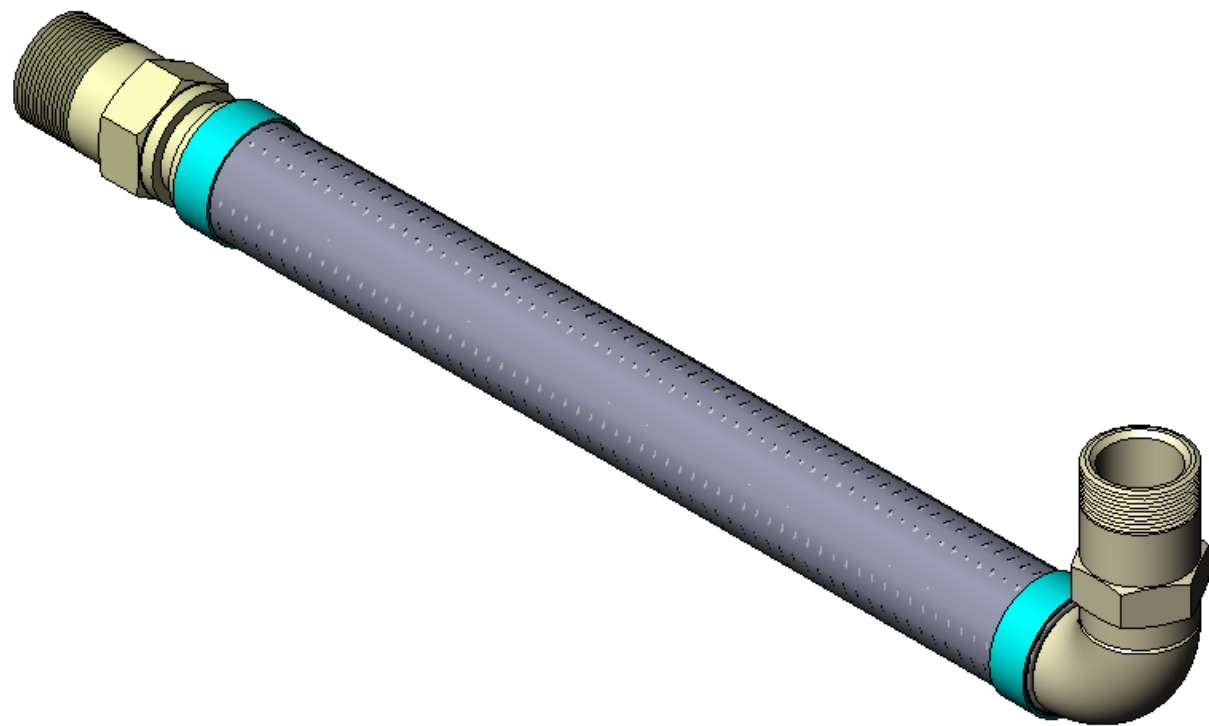
8 7 6 5 4 3 2 1

REVISIONS			
REV.	DESCRIPTION	DATE	APPROVED
-		8/21/2023	



E  
D  
C  
B  
A

E  
D  
C  
B  
A



----- COMPONENTS LIST -----

ITEM #	QTY.	PART NUMBER	DESCRIPTION	MATERIAL	WEIGHT
1	1	HOSE	300 Series Stainless Corrugated Hose	Stainless Steel	0.80
2	2	BRAID	300 Series Stainless Steel	Stainless Steel	0.07
3	1	BRAID COLLAR	0.05" Thick	Stainless Steel	0.07
4	1	1.5" ELBOW	1.5" Short Radius Elbow, Sch. 40	Stainless Steel	0.35
5	1	1.5" MALE	1.5" Male, 1-1/2"x11-1/2" Thread, 1.94" Hex	Stainless Steel	1.13
6	1	1.5" MALE SWIVEL	1.5" Male Swivel, 1-1/2"x11-1/2" Thread, 1.94" Hex	Stainless Steel	1.40



**HOSE MASTER**

1233 East 222nd Street • Cleveland, Ohio 44117  
 (800) 221-2319 • Fax: (216) 481-7557 • www.hosemaster.com  
 Cleveland • Houston • Atlanta • Reno

**ISO 9001**  
Registered Quality System



REFERENCE: Fire-Shield - 1.5" Male Swivel x 1.5" 90 Degree Male x 24" OAL

DATE: 9/7/2023

DESCRIPTION:  
 1.5" ID x 24" OAL 300 Series Stainless Corrugated Hose covered by 300 Series Stainless Braid. UL Approved 1.5" Male Swivel Connector x 1.5" ID 90 Degree Male Connector

PROJECTION:



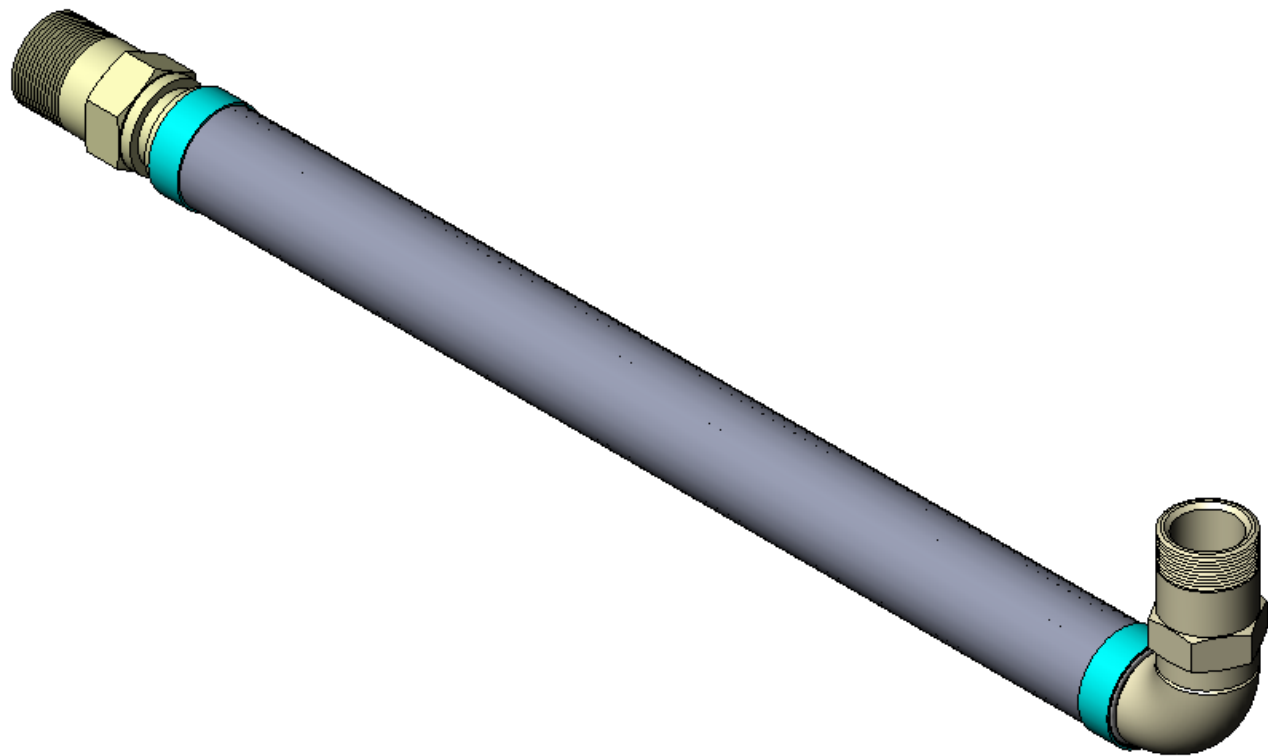
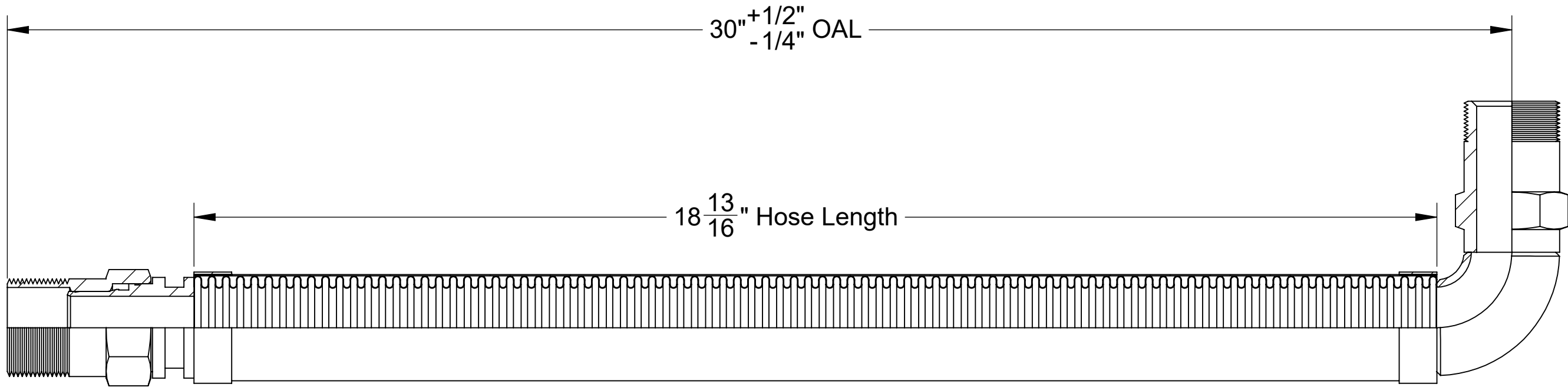
DRAWING # **FSSME0150x24**

REV. SHEET 1 OF 1

8 7 6 5 4 3 2 1

8 7 6 5 4 3 2 1

REVISIONS			
REV.	DESCRIPTION	DATE	APPROVED
-		8/21/2023	



----- COMPONENTS LIST -----

ITEM #	QTY.	PART NUMBER	DESCRIPTION	MATERIAL	WEIGHT
1	1	HOSE	300 Series Stainless Corrugated Hose	Stainless Steel	1.06
2	2	BRAID	300 Series Stainless Steel	Stainless Steel	0.10
3	1	BRAID COLLAR	0.05" Thick	Stainless Steel	0.07
4	1	1.5" ELBOW	1.5" Short Radius Elbow, Sch. 40	Stainless Steel	0.35
5	1	1.5" MALE	1.5" Male, 1-1/2"x11-1/2" Thread, 1.94" Hex	Stainless Steel	1.13
6	1	1.5" MALE SWIVEL	1.5" Male Swivel, 1-1/2"x11-1/2" Thread, 1.94" Hex	Stainless Steel	1.40



**HOSE MASTER**

1233 East 222nd Street • Cleveland, Ohio 44117  
 (800) 221-2319 • Fax: (216) 481-7557 • www.hosemaster.com  
 Cleveland • Houston • Atlanta • Reno

**ISO 9001**  
 Registered Quality System

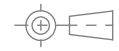


REFERENCE: Fire-Shield - 1.5" Male Swivel x 1.5" 90 Degree Male x 30" OAL

DATE: 9/7/2023

DESCRIPTION:  
 1.5" ID x 30" OAL 300 Series Stainless Corrugated Hose covered by 300 Series  
 Stainless Braid. UL Approved 1.5" Male Swivel Connector x 1.5" ID 90 Degree  
 Male Connector

PROJECTION:



DRAWING # **FSSME0150x30**

REV. SHEET 1 OF 1

8 7 6 5 4 3 2 1