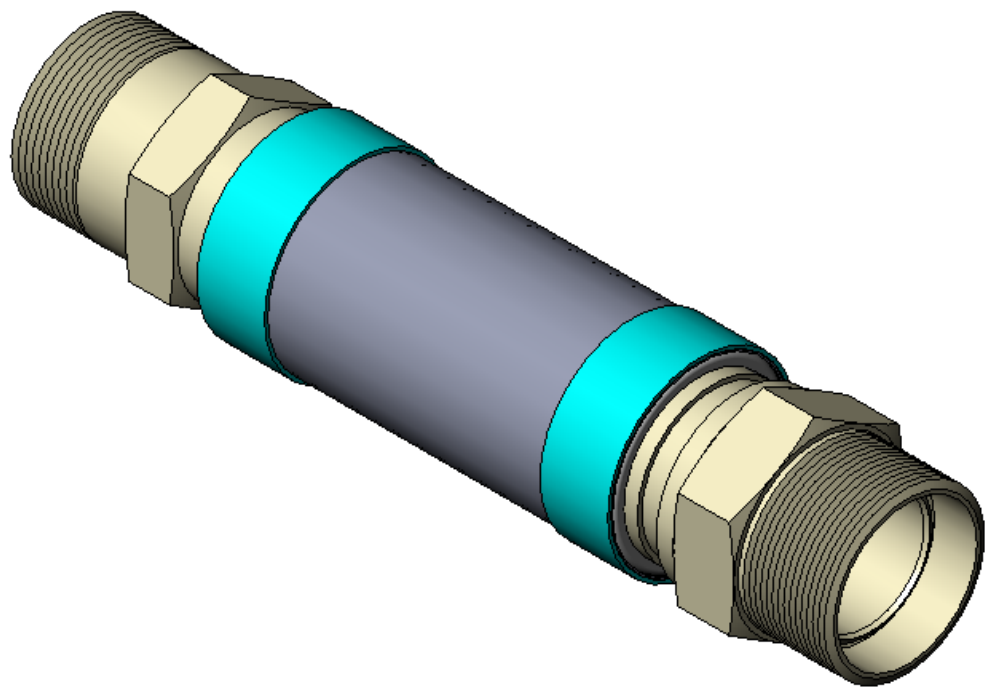
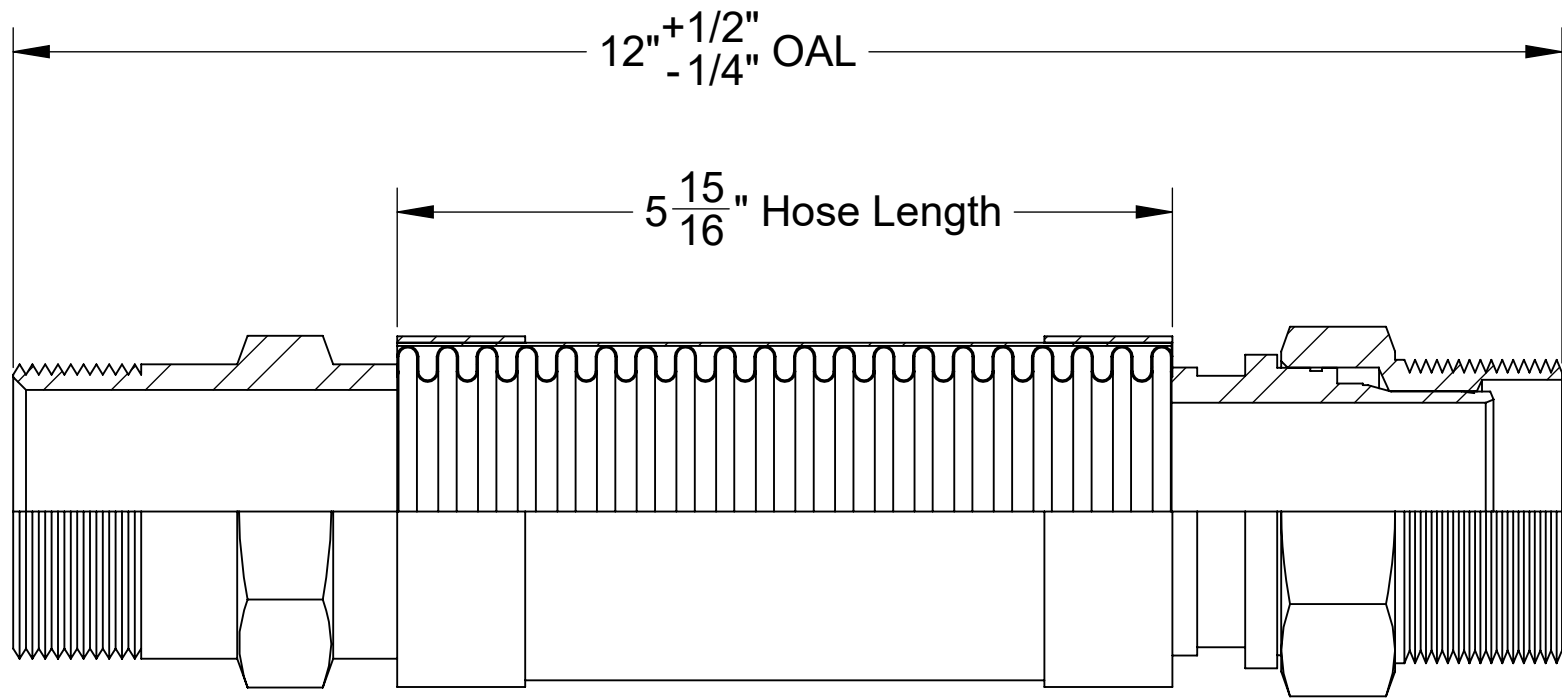


REVISIONS			
REV.	DESCRIPTION	DATE	APPROVED
-		8/10/2023	



----- COMPONENTS LIST -----

ITEM #	QTY.	PART NUMBER	DESCRIPTION	MATERIAL	WEIGHT
1	1	HOSE	300 Series Stainless Corrugated Hose	Stainless Steel	0.35
2	1	BRAID	300 Series Stainless Steel	Stainless Steel	0.03
3	2	BRAID COLLAR	0.05" Thick	Stainless Steel	0.09
4	1	2" MALE	1.5" AF 4750 Hose	Stainless Steel	1.18
5	1	2" MALE SWIVEL	2" Male Swivel, 2"x11-1/2" Thread, 2.38" Hex	Stainless Steel	0.93



HOSE MASTER

1233 East 222nd Street • Cleveland, Ohio 44117
 (800) 221-2319 • Fax: (216) 481-7557 • www.hosemaster.com
Cleveland • Houston • Atlanta • Reno

ISO 9001
 Registered Quality System



REFERENCE: Fire-Shield - 2" Male x 2" Male Swivel x 12" OAL

DATE: 9/6/2023

DESCRIPTION:
 2" ID x 12" OAL 300 Series Stainless Corrugated Hose covered by 300 Series
 Stainless Braid. UL Approved 2" Male Connector x 2" Male Swivel Connector

PROJECTION:



DRAWING #

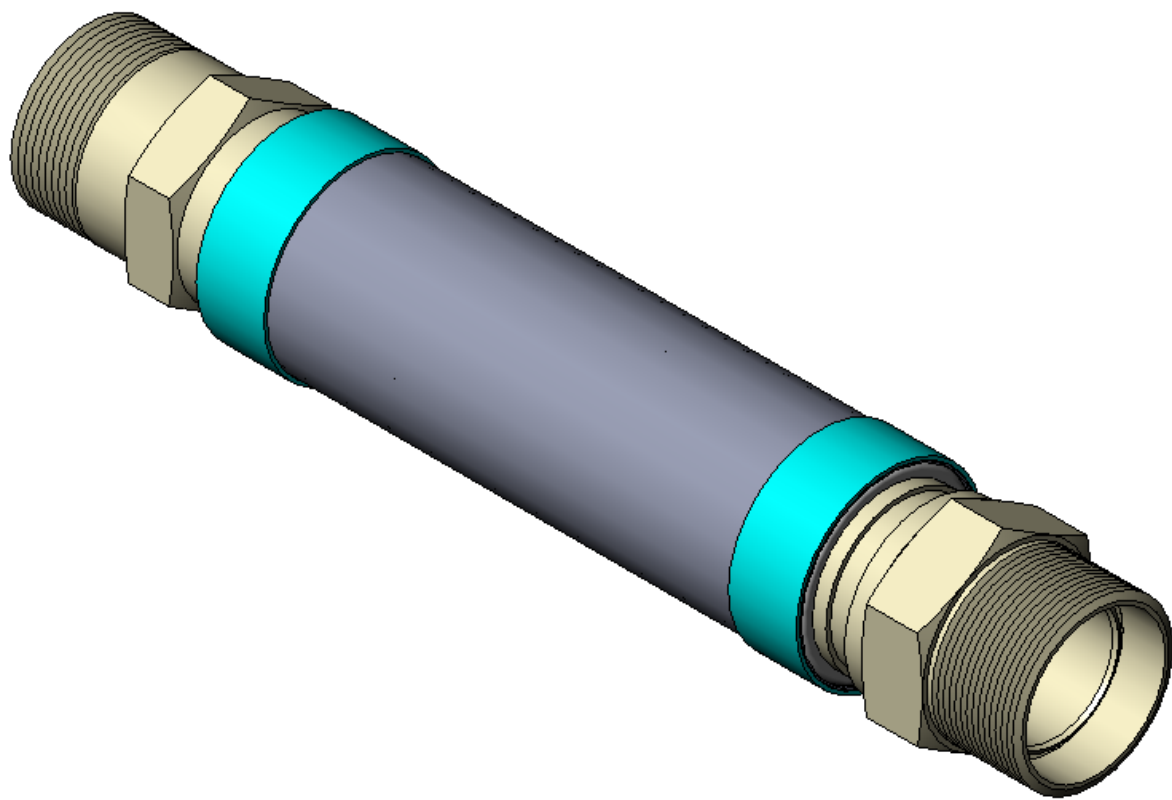
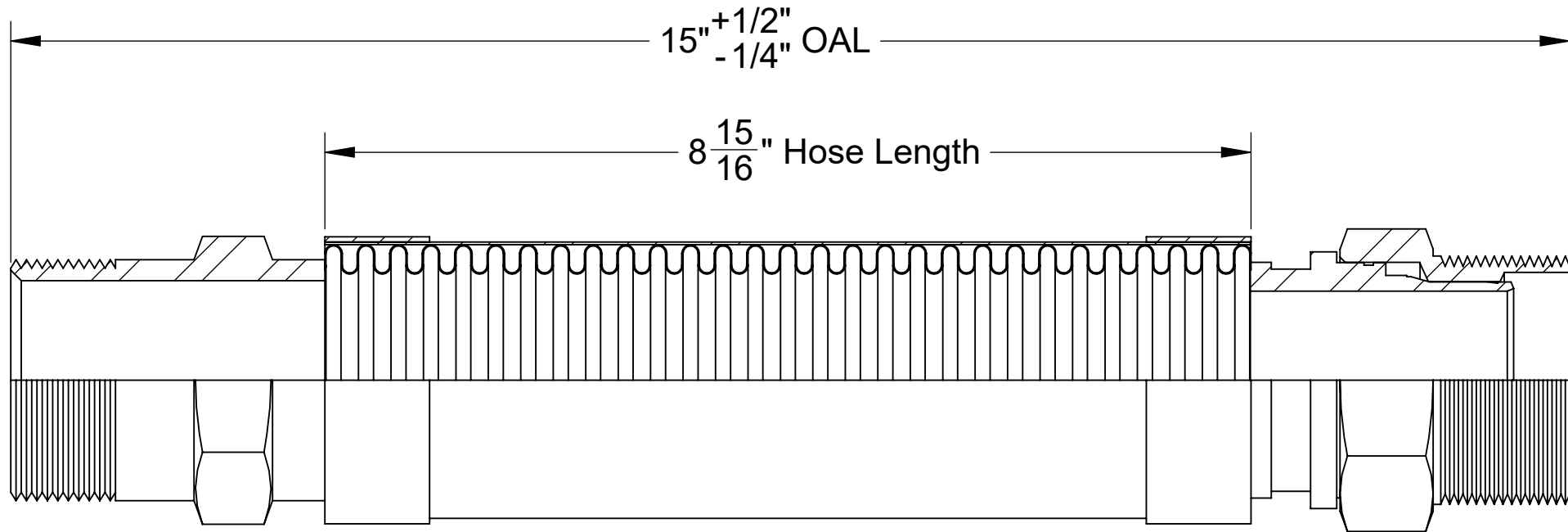
FSMS0200x12

REV.

SHEET
 1 OF 1

8 7 6 5 4 3 2 1

REVISIONS			
REV.	DESCRIPTION	DATE	APPROVED
-		8/10/2023	



----- COMPONENTS LIST -----

ITEM #	QTY.	PART NUMBER	DESCRIPTION	MATERIAL	WEIGHT
1	1	HOSE	300 Series Stainless Corrugated Hose	Stainless Steel	0.51
2	1	BRAID	300 Series Stainless Steel	Stainless Steel	0.04
3	2	BRAID COLLAR	0.05" Thick	Stainless Steel	0.09
4	1	2" MALE	1.5" AF 4750 Hose	Stainless Steel	1.18
5	1	2" MALE SWIVEL	2" Male Swivel, 2"x1-1/2" Thread, 2.38" Hex	Stainless Steel	0.93



HOSE MASTER

1233 East 222nd Street • Cleveland, Ohio 44117
 (800) 221-2319 • Fax: (216) 481-7557 • www.hosemaster.com
 Cleveland • Houston • Atlanta • Reno

ISO 9001
 Registered Quality System



REFERENCE: Fire-Shield - 2" Male x 2" Male Swivel x 15" OAL

DATE: 9/6/2023

DESCRIPTION:
 2" ID x 15" OAL 300 Series Stainless Corrugated Hose covered by 300 Series
 Stainless Braid. UL Approved 2" Male Connector x 2" Male Swivel Connector

PROJECTION:



DRAWING #

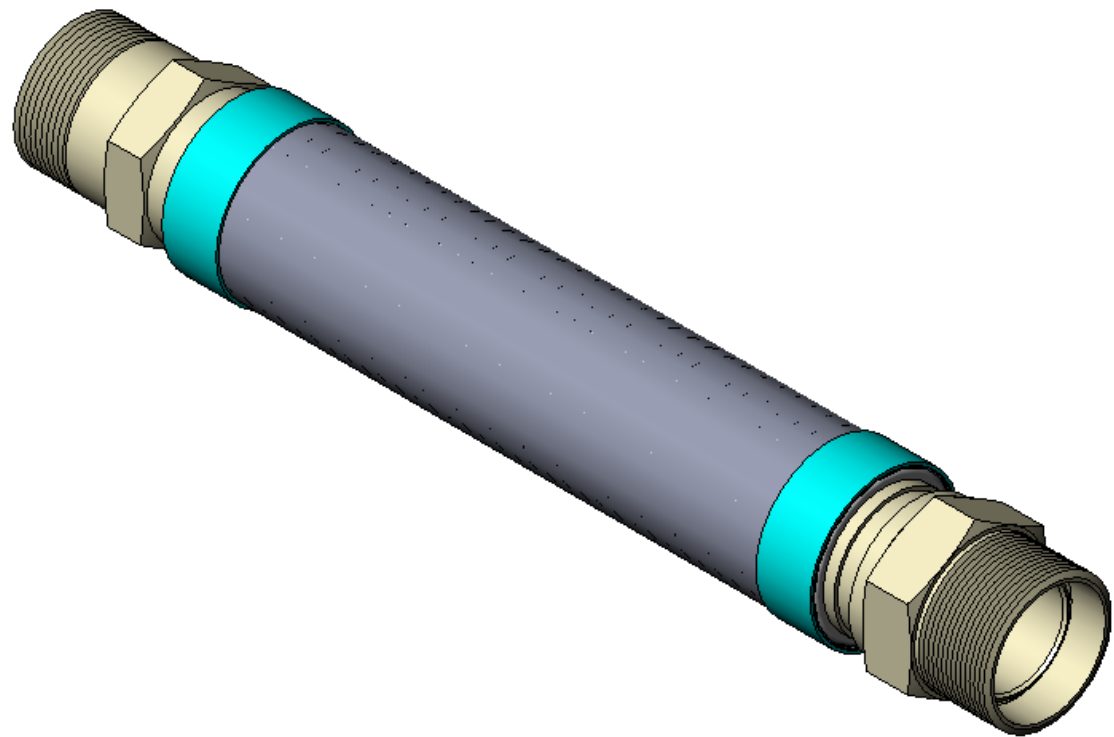
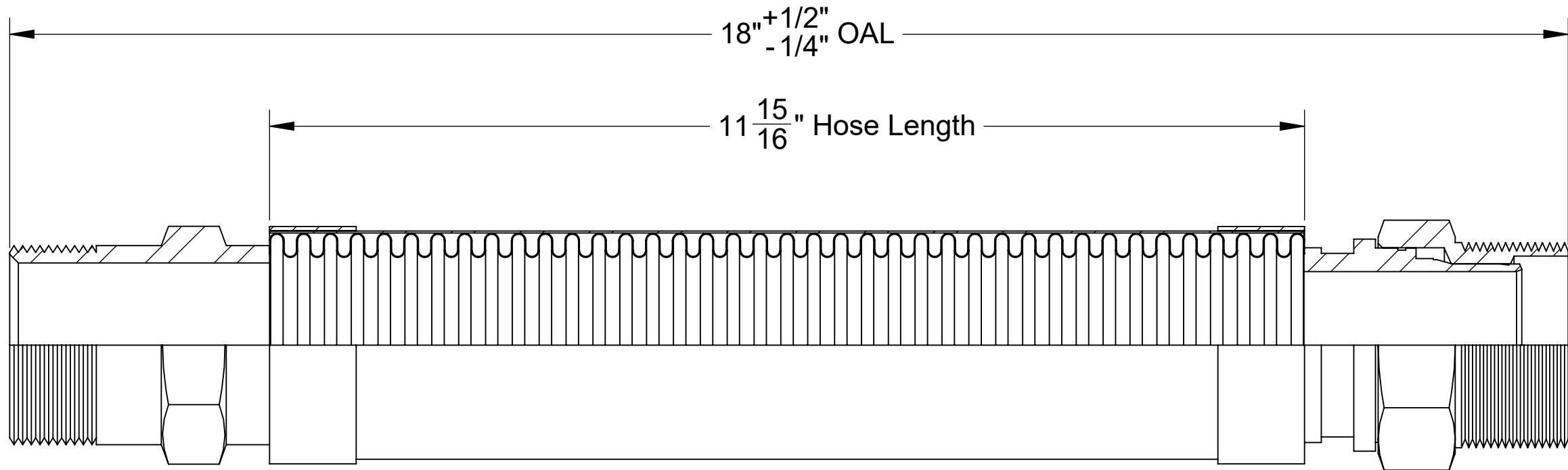
FSMS0200x15

REV.

SHEET
 1 OF 1

8 7 6 5 4 3 2 1

REVISIONS			
REV.	DESCRIPTION	DATE	APPROVED
-		8/10/2023	



----- COMPONENTS LIST -----

ITEM #	QTY.	PART NUMBER	DESCRIPTION	MATERIAL	WEIGHT
1	1	HOSE	300 Series Stainless Corrugated Hose	Stainless Steel	0.69
2	1	BRAID	300 Series Stainless Steel	Stainless Steel	0.06
3	2	BRAID COLLAR	0.05" Thick	Stainless Steel	0.09
4	1	2" MALE	1.5" AF 4750 Hose	Stainless Steel	1.18
5	1	2" MALE SWIVEL	2" Male Swivel, 2"x11-1/2" Thread, 2.38" Hex	Stainless Steel	0.93



HOSE MASTER

1233 East 222nd Street • Cleveland, Ohio 44117
 (800) 221-2319 • Fax: (216) 481-7557 • www.hosemaster.com
 Cleveland • Houston • Atlanta • Reno

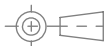
ISO 9001
 Registered Quality System



REFERENCE: Fire-Shield - 2" Male x 2" Male Swivel x 18" OAL
DESCRIPTION: 2" ID x 18" OAL 300 Series Stainless Corrugated Hose covered by 300 Series Stainless Braid. UL Approved 2" Male Connector x 2" Male Swivel Connector

DATE: 9/6/2023

PROJECTION:



DRAWING #

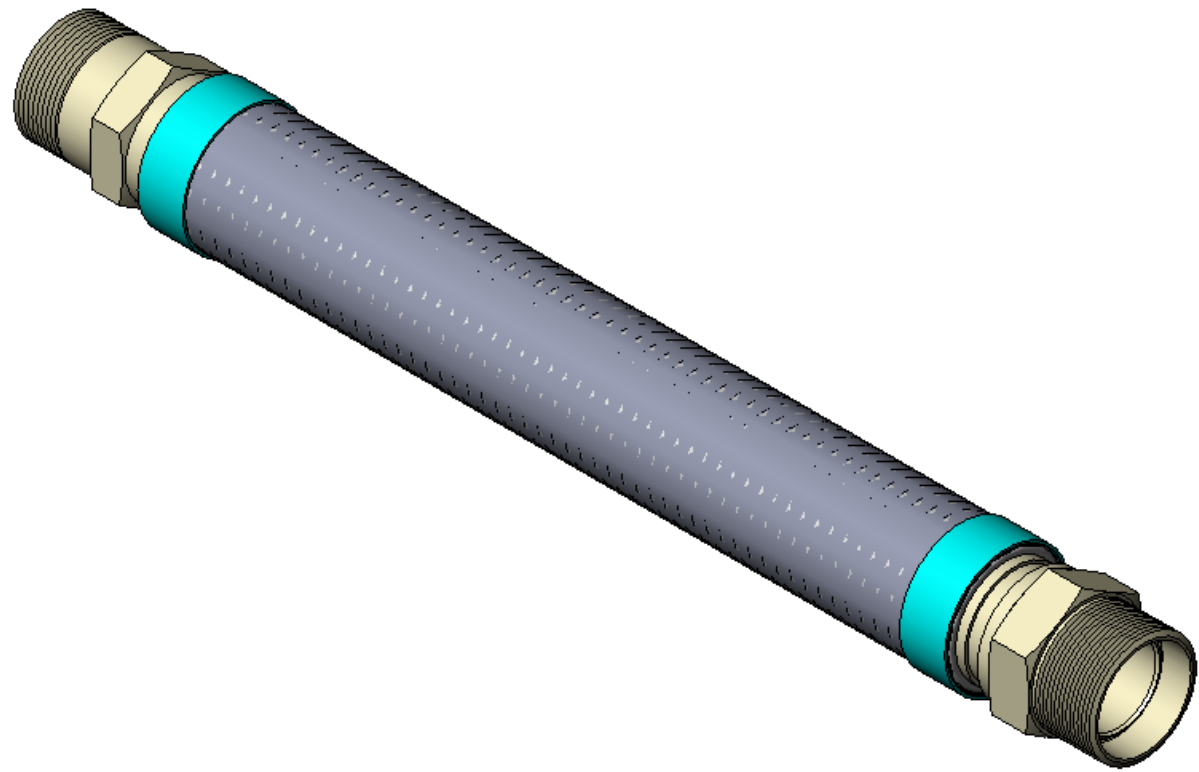
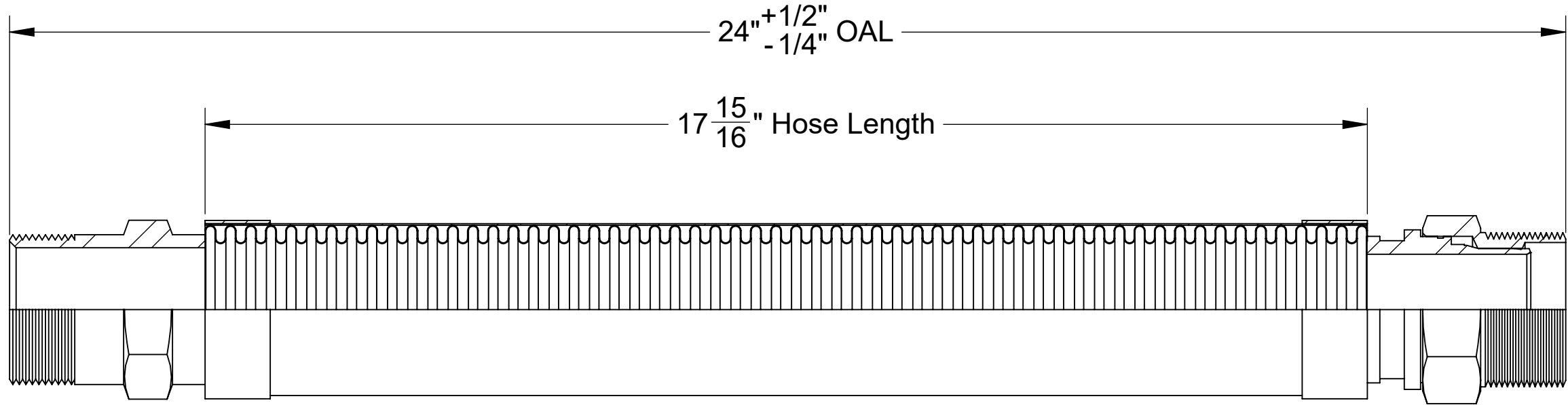
FSMS0200x18

REV.

SHEET 1 OF 1

8 7 6 5 4 3 2 1

REVISIONS			
REV.	DESCRIPTION	DATE	APPROVED
-		8/10/2023	



----- COMPONENTS LIST -----

ITEM #	QTY.	PART NUMBER	DESCRIPTION	MATERIAL	WEIGHT
1	1	HOSE	300 Series Stainless Corrugated Hose	Stainless Steel	1.03
2	1	BRAID	300 Series Stainless Steel	Stainless Steel	0.09
3	2	BRAID COLLAR	0.05" Thick	Stainless Steel	0.09
4	1	2" MALE	1.5" AF 4750 Hose	Stainless Steel	1.18
5	1	2" MALE SWIVEL	2" Male Swivel, 2"x1-1/2" Thread, 2.38" Hex	Stainless Steel	0.93



HOSE MASTER

1233 East 222nd Street • Cleveland, Ohio 44117
 (800) 221-2319 • Fax: (216) 481-7557 • www.hosemaster.com
 Cleveland • Houston • Atlanta • Reno

ISO 9001
 Registered Quality System

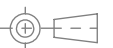


REFERENCE: Fire-Shield - 2" Male x 2" Male Swivel x 24" OAL

DATE: 9/6/2023

DESCRIPTION:
 2" ID x 24" OAL 300 Series Stainless Corrugated Hose covered by 300 Series
 Stainless Braid. UL Approved 2" Male Connector x 2" Male Swivel Connector

PROJECTION:



DRAWING #

FSMS0200x24

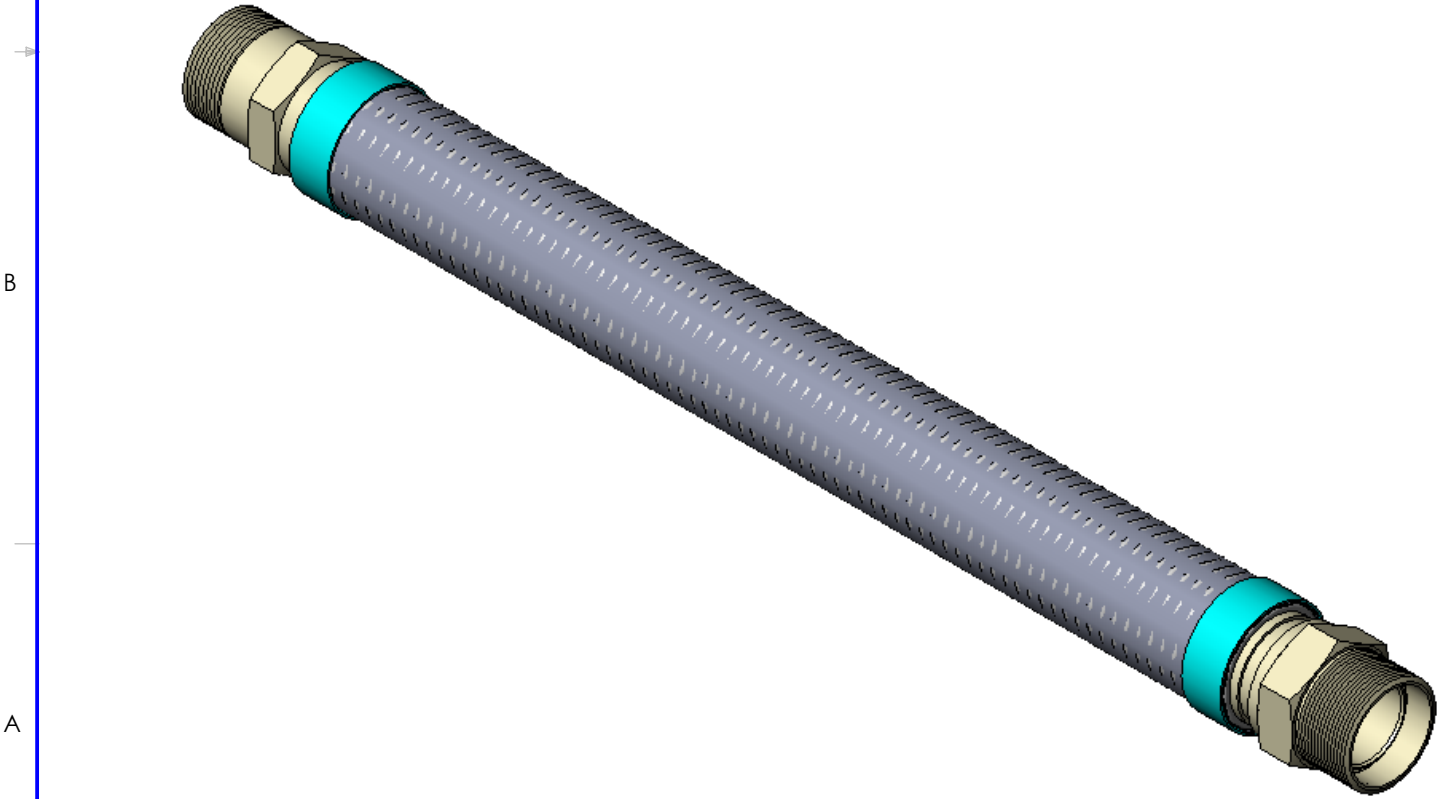
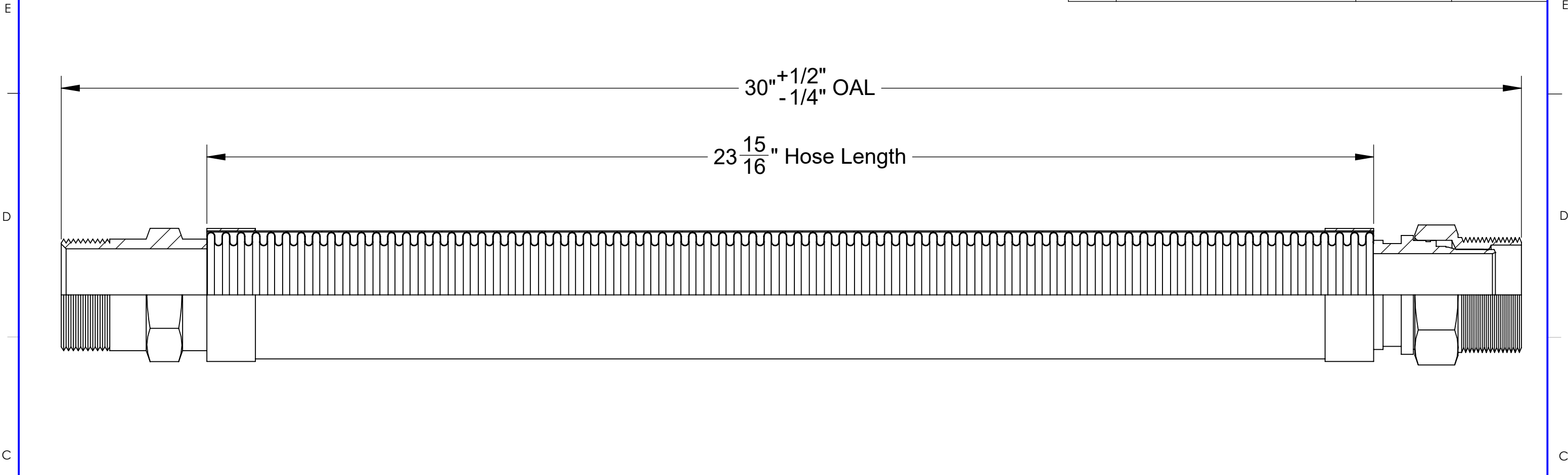
REV.

SHEET
 1 OF 1

8 7 6 5 4 3 2 1

8 7 6 5 4 3 2 1

REVISIONS			
REV.	DESCRIPTION	DATE	APPROVED
-		8/10/2023	



----- COMPONENTS LIST -----

ITEM #	QTY.	PART NUMBER	DESCRIPTION	MATERIAL	WEIGHT
1	1	HOSE	300 Series Stainless Corrugated Hose	Stainless Steel	1.37
2	1	BRAID	300 Series Stainless Steel	Stainless Steel	0.12
3	2	BRAID COLLAR	0.05" Thick	Stainless Steel	0.09
4	1	2" MALE	1.5" AF 4750 Hose	Stainless Steel	1.18
5	1	2" MALE SWIVEL	2" Male Swivel, 2"x11-1/2" Thread, 2.38" Hex	Stainless Steel	0.93



HOSE MASTER

1233 East 222nd Street • Cleveland, Ohio 44117
 (800) 221-2319 • Fax: (216) 481-7557 • www.hosemaster.com
 Cleveland • Houston • Atlanta • Reno

ISO 9001
 Registered Quality System



REFERENCE: Fire-Shield - 2" Male x 2" Male Swivel x 30" OAL

DATE: 9/6/2023

DESCRIPTION:
 2" ID x 30" OAL 300 Series Stainless Corrugated Hose covered by 300 Series
 Stainless Braid. UL Approved 2" Male Connector x 2" Male Swivel Connector



DRAWING # **FSMS0200x30**

REV. SHEET 1 OF 1

8 7 6 5 4 3 2 1