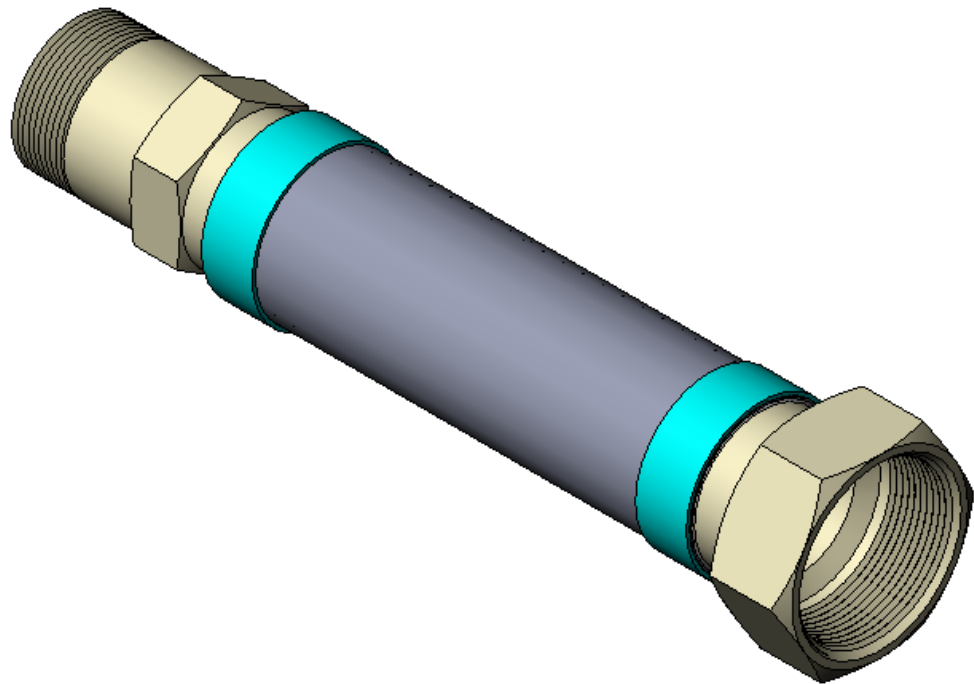
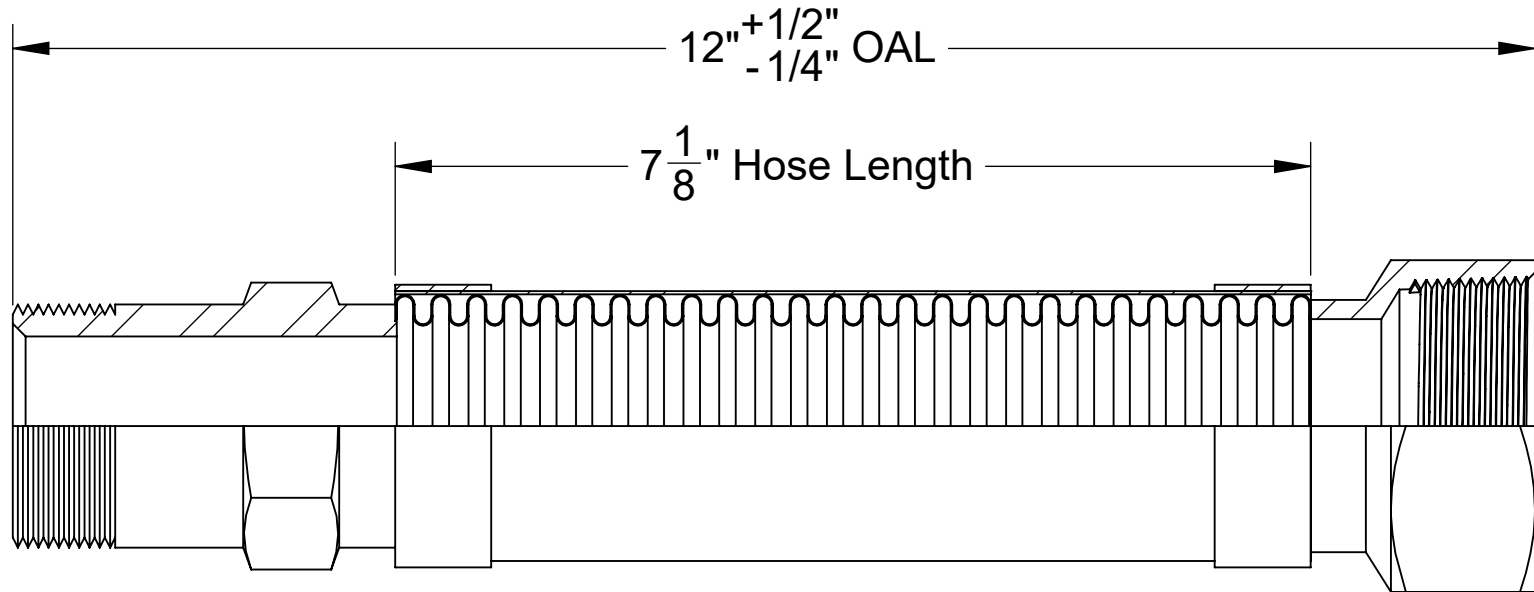


REVISIONS			
REV.	DESCRIPTION	DATE	APPROVED



----- COMPONENTS LIST -----

ITEM #	QTY.	PART NUMBER	DESCRIPTION	MATERIAL	WEIGHT
1	1	HOSE	300 Series Stainless Corrugated Hose	Stainless Steel	0.30
2	1	BRAID	300 Series Stainless Steel	Stainless Steel	0.03
3	2	BRAID COLLAR	0.05" Thick	Stainless Steel	0.07
4	1	1.5" MALE	1.5" AF 4750 Hose	Stainless Steel	1.13
5	1	2" FEMALE	2" Female, 2"x11-1/2" Thread, 2.38" Hex	Stainless Steel	0.76



HOSE MASTER

1233 East 222nd Street • Cleveland, Ohio 44117
 (800) 221-2319 • Fax: (216) 481-7557 • www.hosemaster.com
Cleveland • Houston • Atlanta • Reno

ISO 9001
Registered Quality System



REFERENCE: Fire-Shield - 1.5" Male x 2" Female x 12" OAL

DATE: 9/6/2023

DESCRIPTION:
 1.5" ID x 12" OAL 300 Series Stainless Corrugated Hose covered by 300 Series Stainless Braid. UL Approved 1.5" Male Connector x 2" Female Connector

PROJECTION:



DRAWING #

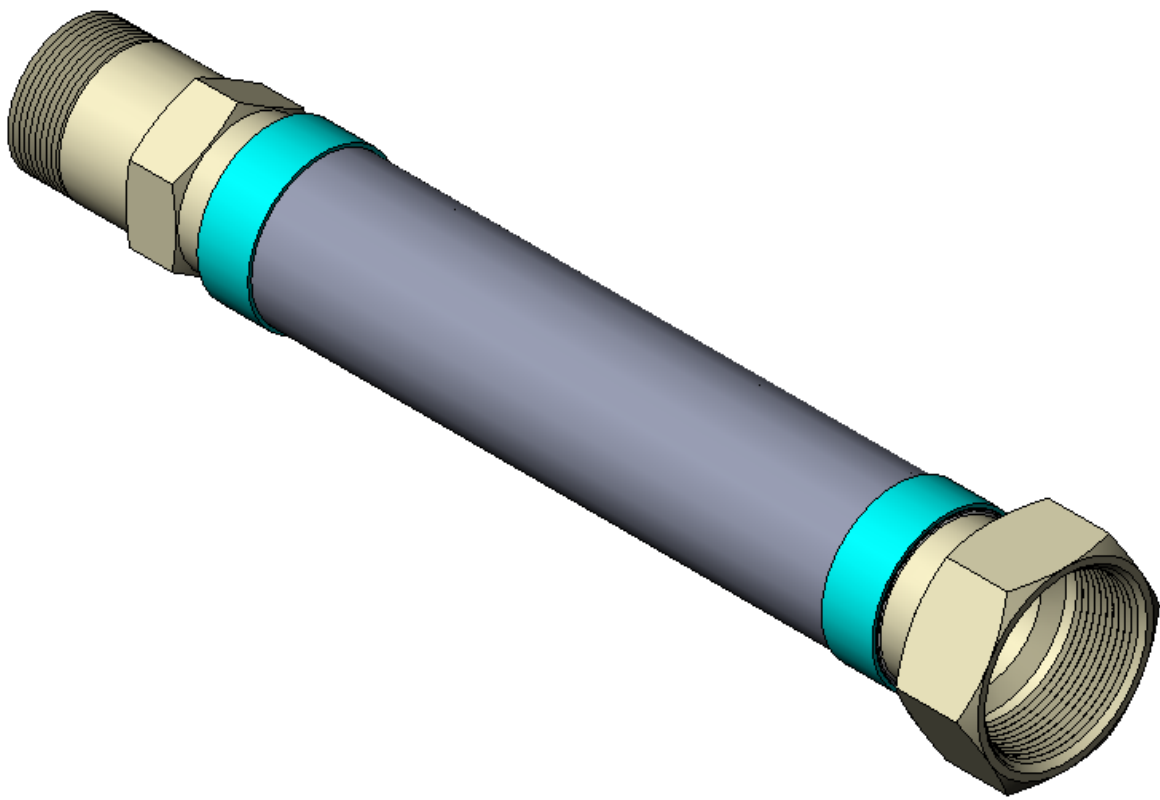
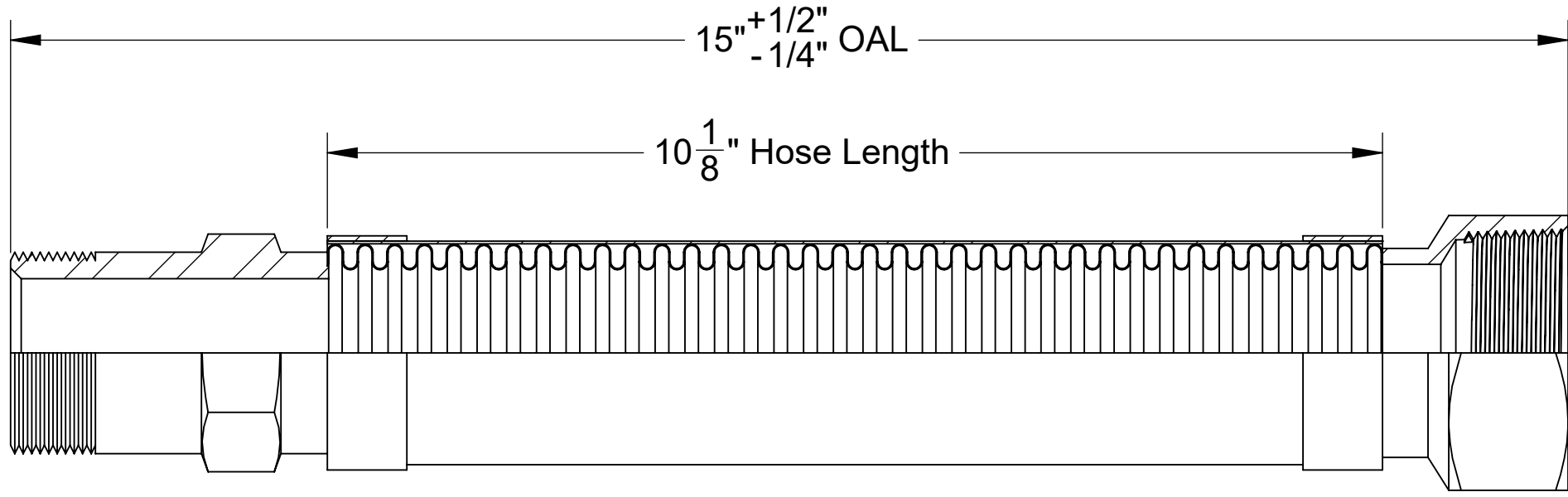
FSMF0150x12

REV.

SHEET
1 OF 1

8 7 6 5 4 3 2 1

REVISIONS			
REV.	DESCRIPTION	DATE	APPROVED
-		8/9/2023	



----- COMPONENTS LIST -----

ITEM #	QTY.	PART NUMBER	DESCRIPTION	MATERIAL	WEIGHT
1	1	HOSE	300 Series Stainless Corrugated Hose	Stainless Steel	0.43
2	1	BRAID	300 Series Stainless Steel	Stainless Steel	0.04
3	2	BRAID COLLAR	0.05" Thick	Stainless Steel	0.07
4	1	1.5" MALE	1.5" Male, 1-1/2"x11-1/2" Thread, 1.94" Hex	Stainless Steel	1.13
5	1	2" FEMALE	2" Female, 2"x11-1/2" Thread, 2.38" Hex	Stainless Steel	0.76



HOSE MASTER

1233 East 222nd Street • Cleveland, Ohio 44117
 (800) 221-2319 • Fax: (216) 481-7557 • www.hosemaster.com
Cleveland • Houston • Atlanta • Reno

ISO 9001
Registered Quality System

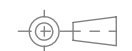


REFERENCE: Fire-Shield - 1.5" Male x 2" Female x 15" OAL

DATE: 9/6/2023

DESCRIPTION:
1.5" ID x 15" OAL 300 Series Stainless Corrugated Hose covered by 300 Series Stainless Braid. UL Approved 1.5" Male Connector x 2" Female Connector

PROJECTION:

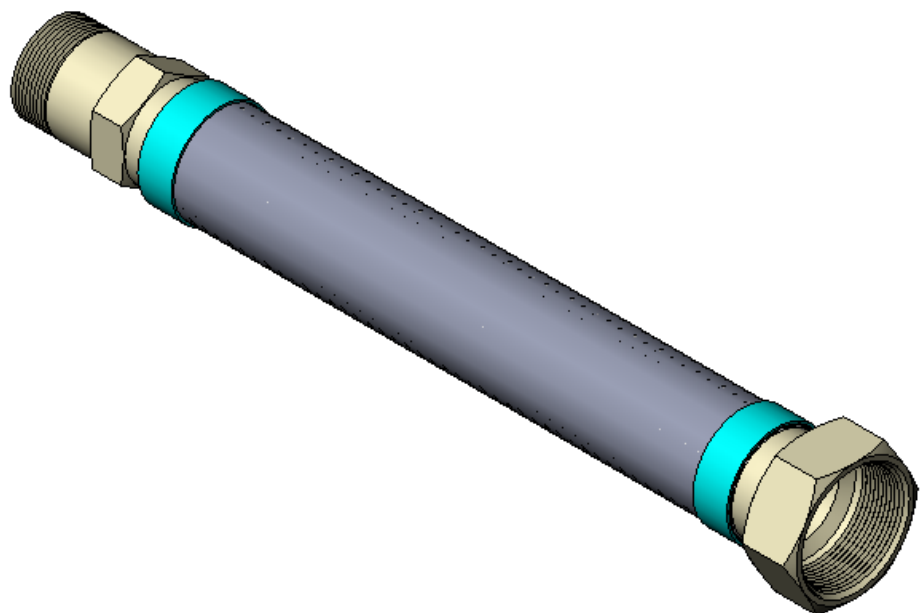
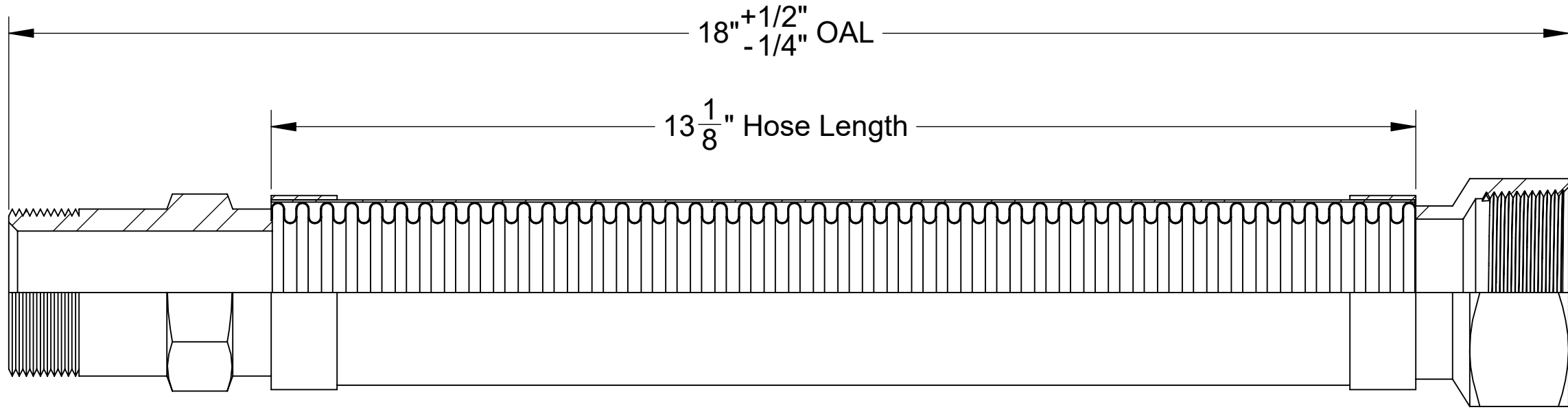


DRAWING # **FSMF0150x15**

REV. SHEET 1 OF 1

8 7 6 5 4 3 2 1

REVISIONS			
REV.	DESCRIPTION	DATE	APPROVED
-		8/9/2023	



----- COMPONENTS LIST -----

ITEM #	QTY.	PART NUMBER	DESCRIPTION	MATERIAL	WEIGHT
1	1	HOSE	300 Series Stainless Corrugated Hose	Stainless Steel	0.56
2	1	BRAID	300 Series Stainless Steel	Stainless Steel	0.05
3	2	BRAID COLLAR	0.05" Thick	Stainless Steel	0.07
4	1	1.5" MALE	1.5" Male, 1-1/2"x11-1/2" Thread, 1.94" Hex	Stainless Steel	1.13
5	1	2" FEMALE	2" Female, 2"x11-1/2" Thread, 2.38" Hex	Stainless Steel	0.76



HOSE MASTER

1233 East 222nd Street • Cleveland, Ohio 44117
 (800) 221-2319 • Fax: (216) 481-7557 • www.hosemaster.com
Cleveland • Houston • Atlanta • Reno

ISO 9001
 Registered Quality System

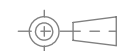


REFERENCE: Fire-Shield - 1.5" Male x 2" Female x 18" OAL

DATE: 9/6/2023

DESCRIPTION:
 1.5" ID x 18" OAL 300 Series Stainless Corrugated Hose covered by 300 Series Stainless Braid. UL Approved 1.5" Male Connector x 2" Female Connector

PROJECTION:



DRAWING #

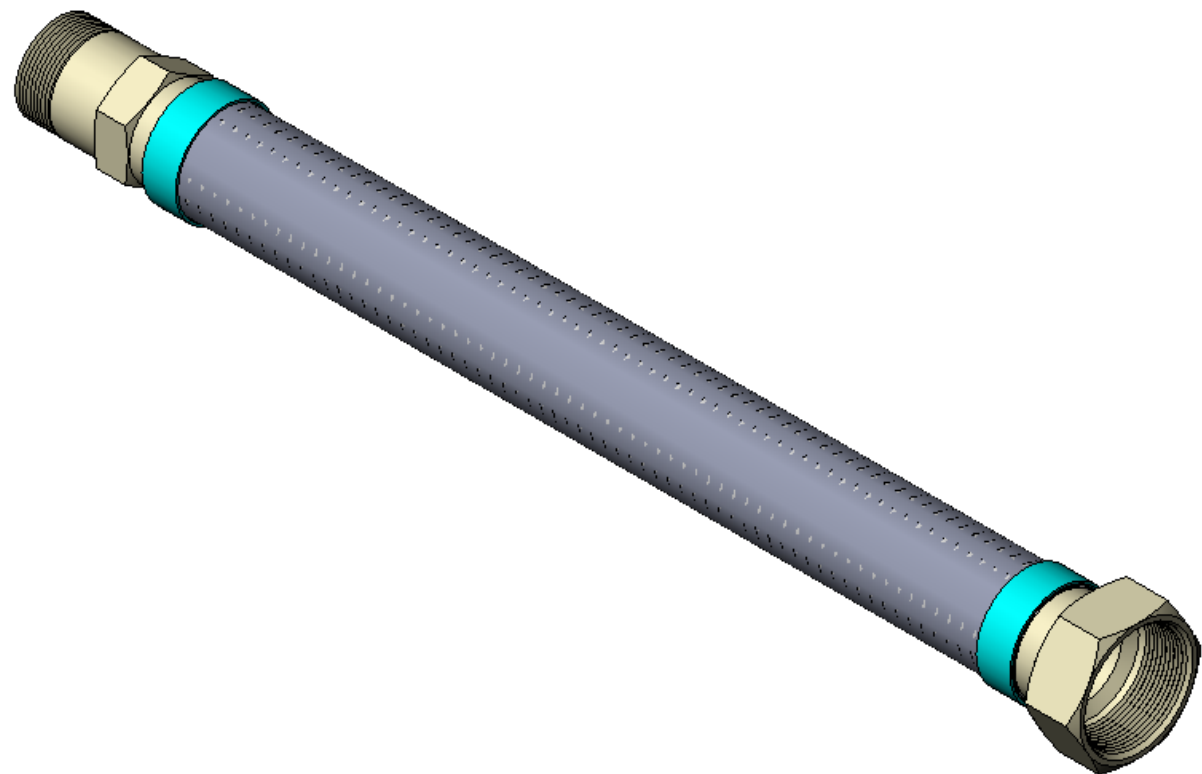
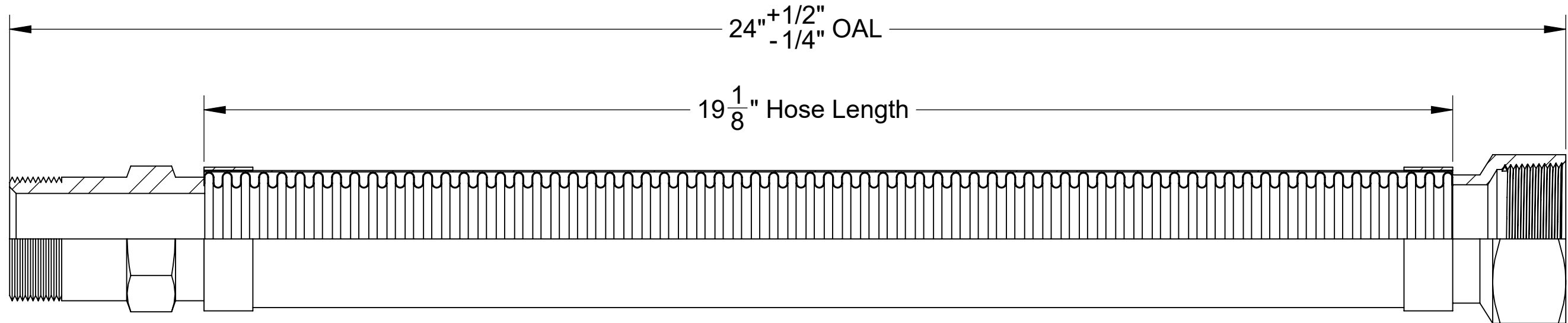
FSMF0150x18

REV.

SHEET
 1 OF 1

8 7 6 5 4 3 2 1

REVISIONS			
REV.	DESCRIPTION	DATE	APPROVED



----- COMPONENTS LIST -----

ITEM #	QTY.	PART NUMBER	DESCRIPTION	MATERIAL	WEIGHT
1	1	HOSE	300 Series Stainless Corrugated Hose	Stainless Steel	0.82
2	1	BRAID	300 Series Stainless Steel	Stainless Steel	0.07
3	2	BRAID COLLAR	0.05" Thick	Stainless Steel	0.07
4	1	1.5" MALE	1.5" Male, 1-1/2"x11-1/2" Thread, 1.94" Hex	Stainless Steel	1.13
5	1	2" FEMALE	2" Female, 2"x11-1/2" Thread, 2.38" Hex	Stainless Steel	0.76



HOSE MASTER

1233 East 222nd Street • Cleveland, Ohio 44117
 (800) 221-2319 • Fax: (216) 481-7557 • www.hosemaster.com
Cleveland • Houston • Atlanta • Reno

ISO 9001
 Registered Quality System



REFERENCE: Fire-Shield - 1.5" Male x 2" Female x 24" OAL

DATE: 9/6/2023

DESCRIPTION:
 1.5" ID x 24" OAL 300 Series Stainless Corrugated Hose covered by 300 Series Stainless Braid. UL Approved 1.5" Male Connector x 2" Female Connector



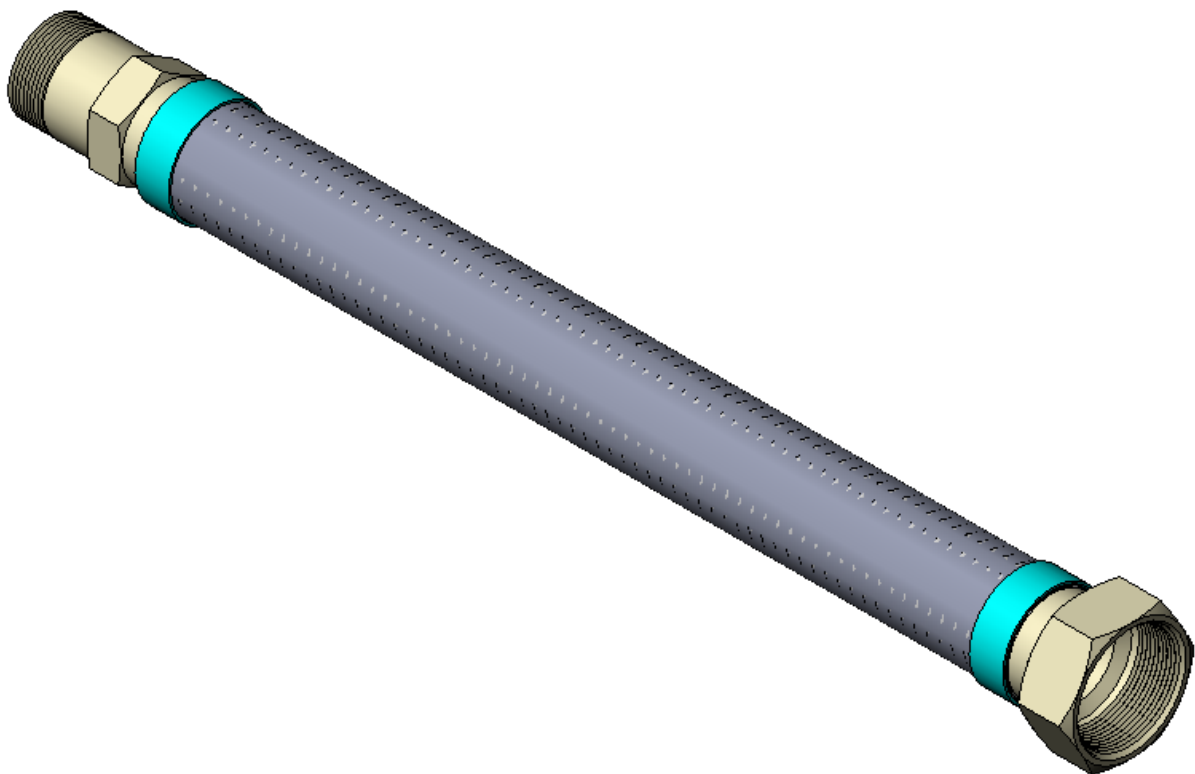
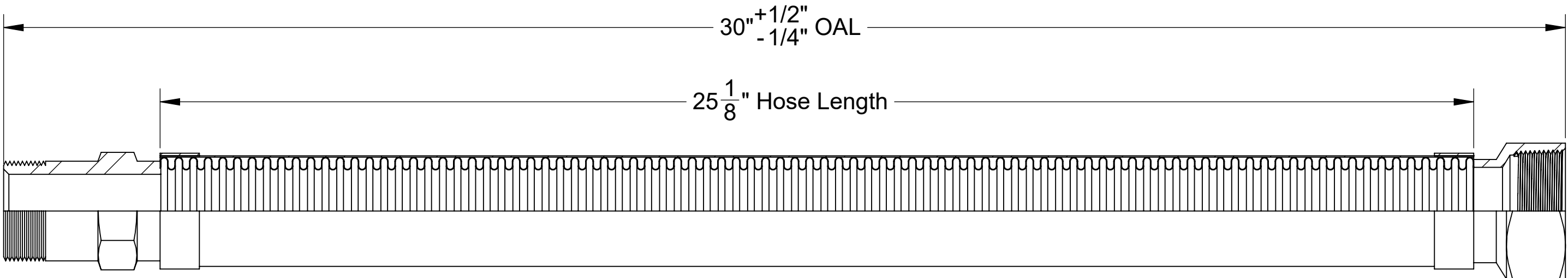
DRAWING # **FSMF0150x24**

REV. SHEET 1 OF 1

8 7 6 5 4 3 2 1

8 7 6 5 4 3 2 1

REVISIONS			
REV.	DESCRIPTION	DATE	APPROVED



----- COMPONENTS LIST -----

ITEM #	QTY.	PART NUMBER	DESCRIPTION	MATERIAL	WEIGHT
1	1	HOSE	300 Series Stainless Corrugated Hose	Stainless Steel	1.08
2	1	BRAID	300 Series Stainless Steel	Stainless Steel	0.10
3	2	BRAID COLLAR	0.05" Thick	Stainless Steel	0.07
4	1	1.5" MALE	1.5" Male, 1-1/2"x11-1/2" Thread, 1.94" Hex	Stainless Steel	1.13
5	1	2" FEMALE	2" Female, 2"x11-1/2" Thread, 2.38" Hex	Stainless Steel	0.76



HOSE MASTER

1233 East 222nd Street • Cleveland, Ohio 44117
 (800) 221-2319 • Fax: (216) 481-7557 • www.hosemaster.com
Cleveland • Houston • Atlanta • Reno

ISO 9001
 Registered Quality System



REFERENCE: Fire-Shield - 1.5" Male x 2" Female x 30" OAL

DATE: 9/6/2023

DESCRIPTION:
 1.5" ID x 30" OAL 300 Series Stainless Corrugated Hose covered by 300 Series Stainless Braid. UL Approved 1.5" Male Connector x 2" Female Connector



DRAWING # **FSMF0150x30**

REV. SHEET 1 OF 1

8 7 6 5 4 3 2 1