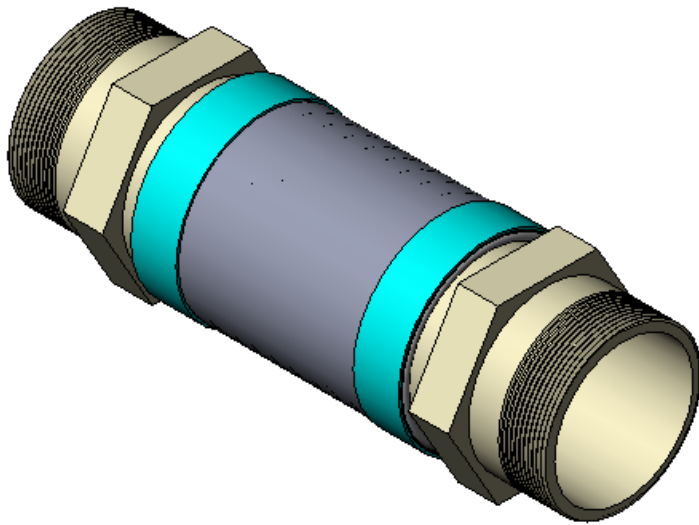
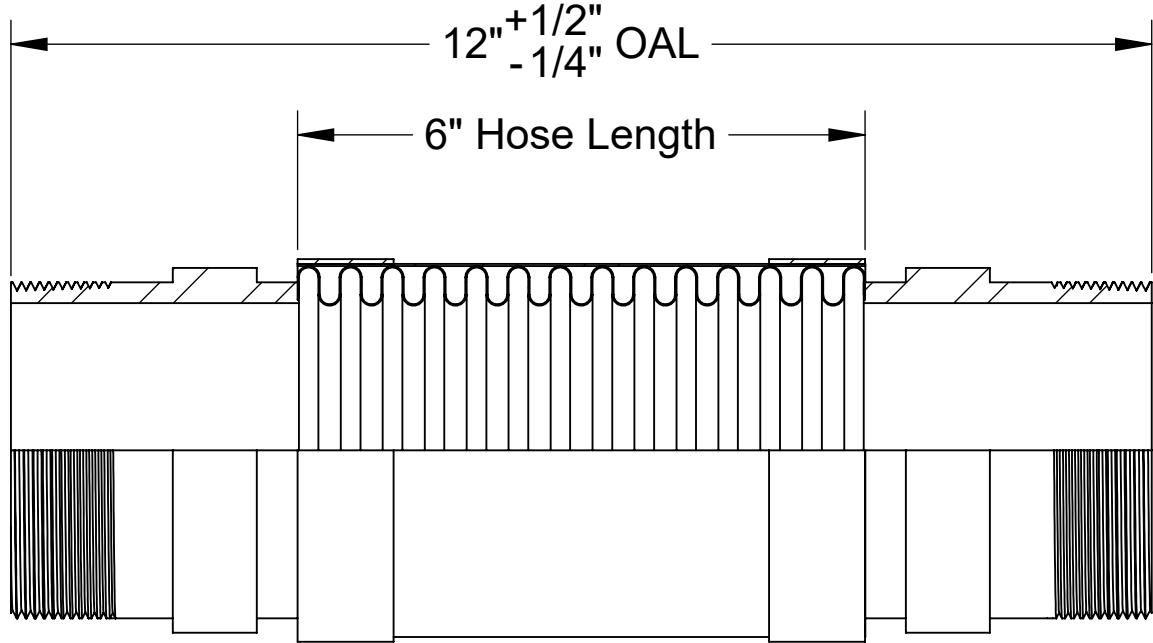


8 7 6 5 4 3 2 1

REVISIONS			
REV.	DESCRIPTION	DATE	APPROVED
-		7/31/2023	



----- COMPONENTS LIST -----

ITEM #	QTY.	PART NUMBER	DESCRIPTION	MATERIAL	WEIGHT
1	1	HOSE	300 Series Stainless Corrugated Hose	Stainless Steel	0.63
2	1	BRAID	300 Series Stainless Steel	Stainless Steel	0.04
3	2	BRAID COLLAR	0.05" Thick	Stainless Steel	0.22
4	2	3" MALE	1.5" AF 4750 Hose	Stainless Steel	2.73

HM **HOSE MASTER**
 1233 East 222nd Street • Cleveland, Ohio 44117
 (800) 221-2319 • Fax: (216) 481-7557 • www.hosemaster.com
 Cleveland • Houston • Atlanta • Reno

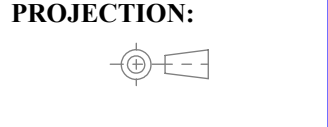
ISO 9001
 Registered Quality System

 Listed Manufacturer

REFERENCE: Fire-Shield - 3" Male x 3" Male x 12" OAL

DATE: 9/6/2023

DESCRIPTION:
 3" ID x 12" OAL 300 Series Stainless Corrugated Hose covered by 300 Series Stainless Braid. UL Approved 3" Male Connectors

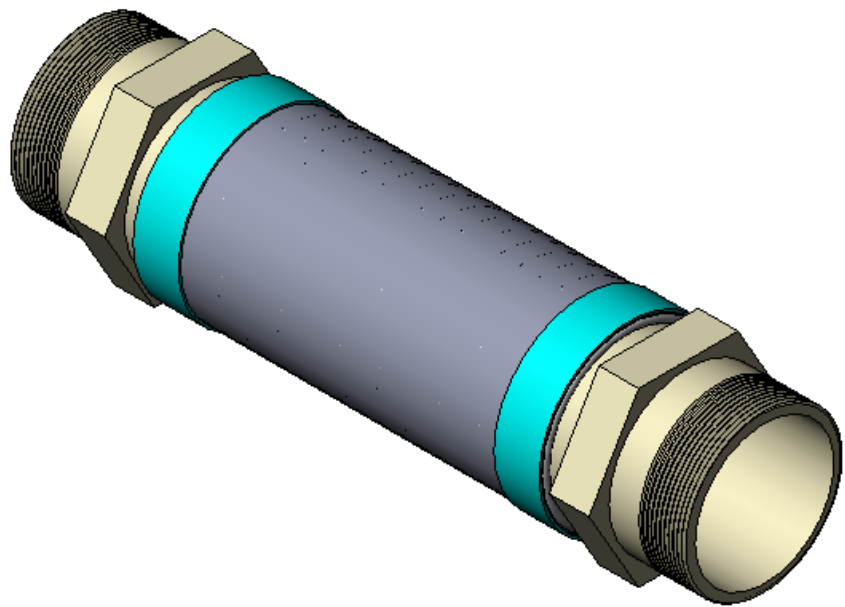
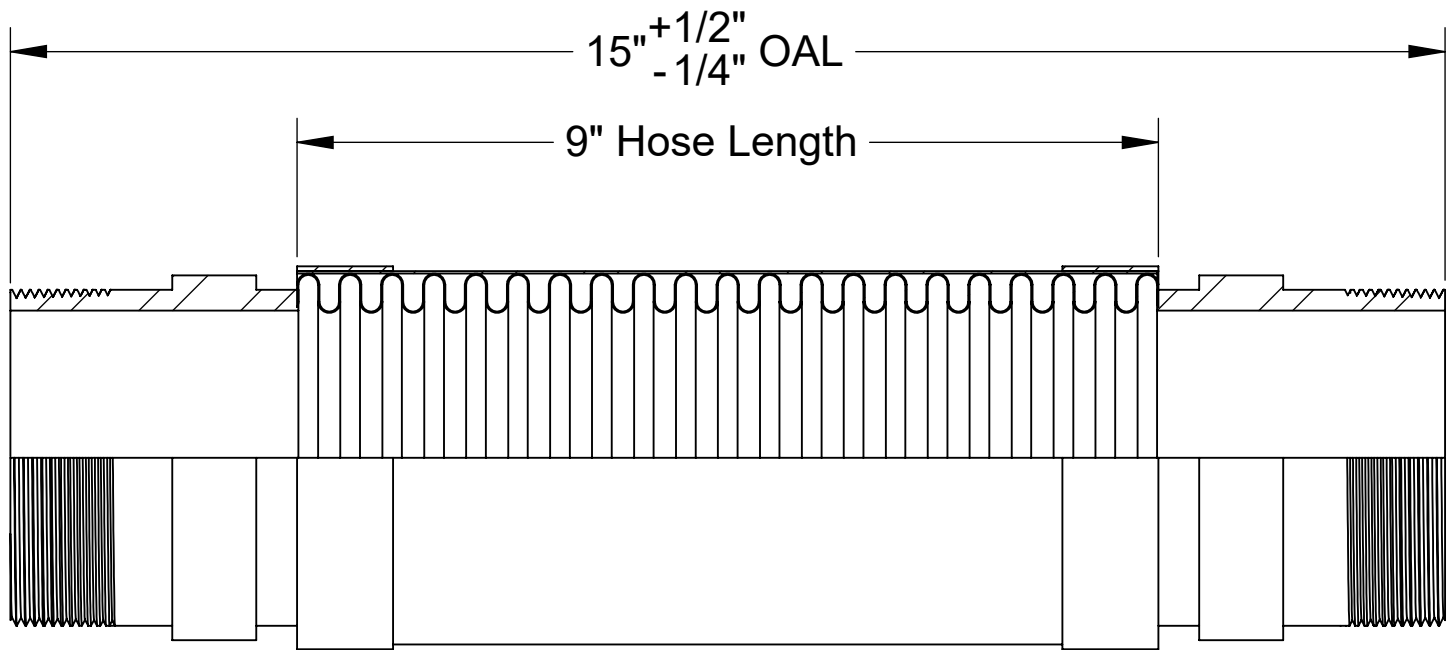


DRAWING # **FSMM0300x12**

REV. **-** SHEET **1 OF 1**

8 7 6 5 4 3 2 1

REVISIONS			
REV.	DESCRIPTION	DATE	APPROVED
-		7/31/2023	



----- COMPONENTS LIST -----

ITEM #	QTY.	PART NUMBER	DESCRIPTION	MATERIAL	WEIGHT
1	1	HOSE	300 Series Stainless Corrugated Hose	Stainless Steel	0.95
2	1	BRAID	300 Series Stainless Steel	Stainless Steel	0.06
3	2	BRAID COLLAR	0.06" Thick	Stainless Steel	0.22
4	2	3" MALE	3" Male, 3"x8" Thread, 4" Hex	Stainless Steel	2.73



HOSE MASTER

1233 East 222nd Street • Cleveland, Ohio 44117
 (800) 221-2319 • Fax: (216) 481-7557 • www.hosemaster.com
 Cleveland • Houston • Atlanta • Reno

ISO 9001
 Registered Quality System



REFERENCE: Fire-Shield - 3" Male x 3" Male x 15" OAL

DATE: 9/6/2023

DESCRIPTION:
 3" ID x 15" OAL 300 Series Stainless Corrugated Hose covered by 300 Series
 Stainless Braid. UL Approved 3" Male Connectors

PROJECTION:



DRAWING #

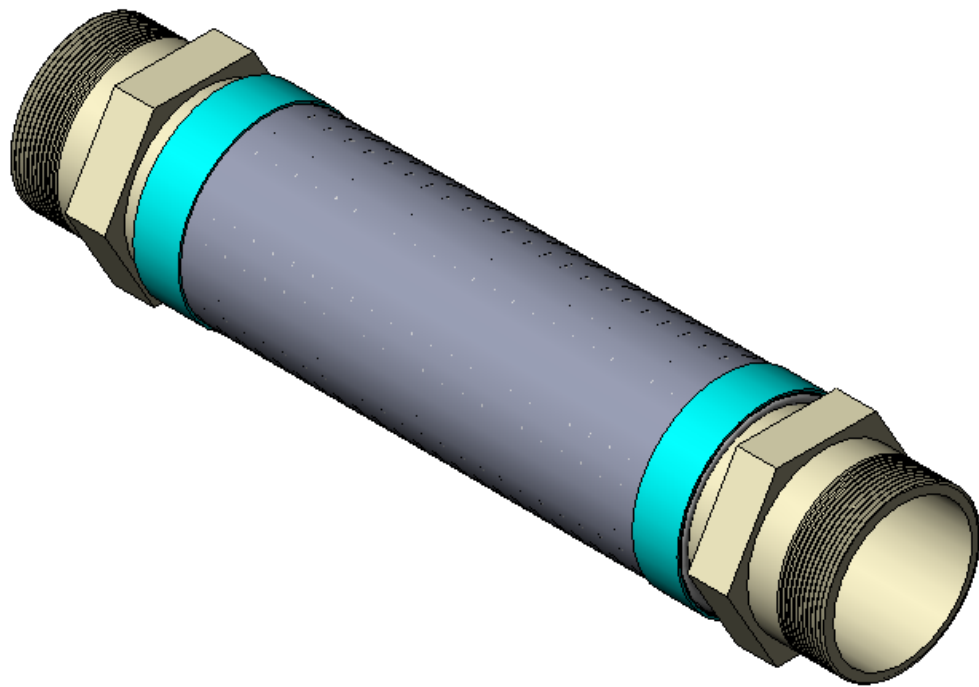
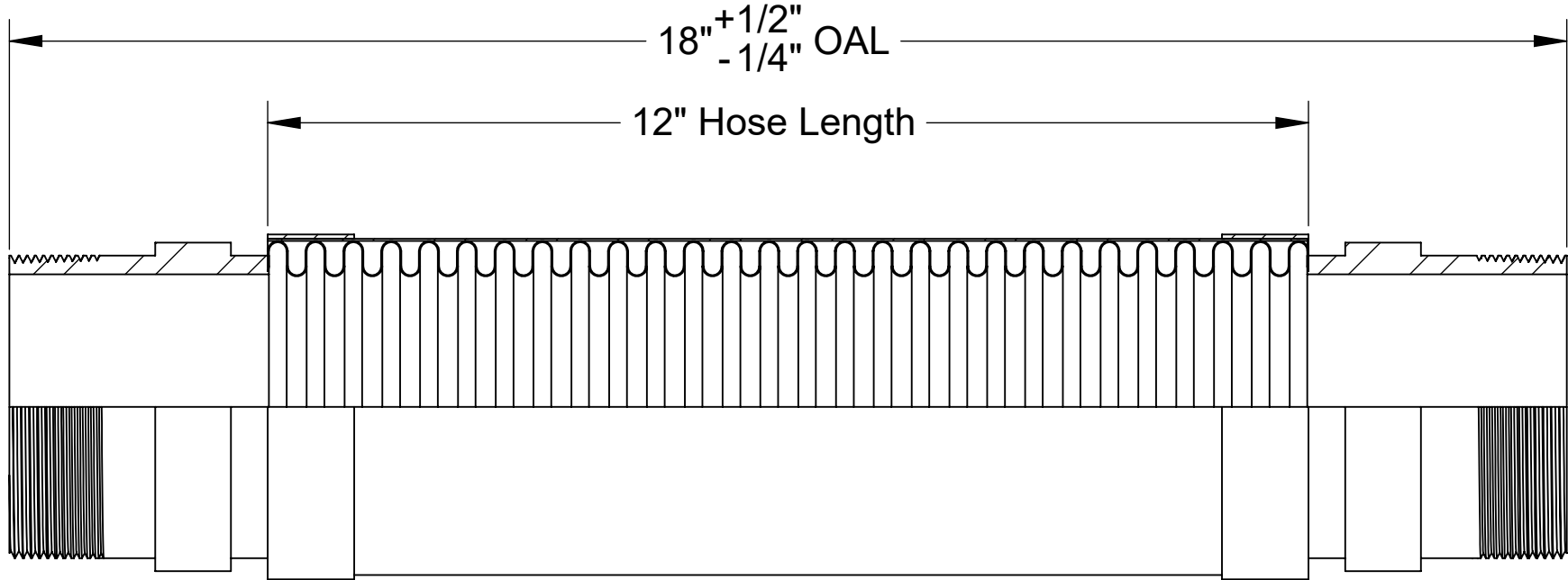
FSMM0300x15

REV.

SHEET
 1 OF 1

8 7 6 5 4 3 2 1

REVISIONS			
REV.	DESCRIPTION	DATE	APPROVED
-		7/31/2023	



----- COMPONENTS LIST -----

ITEM #	QTY.	PART NUMBER	DESCRIPTION	MATERIAL	WEIGHT
1	1	HOSE	300 Series Stainless Corrugated Hose	Stainless Steel	1.26
2	1	BRAID	300 Series Stainless Steel	Stainless Steel	0.09
3	2	BRAID COLLAR	0.06" Thick	Stainless Steel	0.22
4	2	3" MALE	3" Male, 3"x8" Thread, 4" Hex	Stainless Steel	2.73



HOSE MASTER

1233 East 222nd Street • Cleveland, Ohio 44117
 (800) 221-2319 • Fax: (216) 481-7557 • www.hosemaster.com
Cleveland • Houston • Atlanta • Reno

ISO 9001
 Registered Quality System



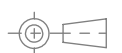
REFERENCE: Fire-Shield - 3" Male x 3" Male x 18" OAL

DATE: 9/6/2023

DESCRIPTION:

3" ID x 18" OAL 300 Series Stainless Corrugated Hose covered by 300 Series Stainless Braid. UL Approved 3" Male Connectors

PROJECTION:



DRAWING #

FSMM0300x18

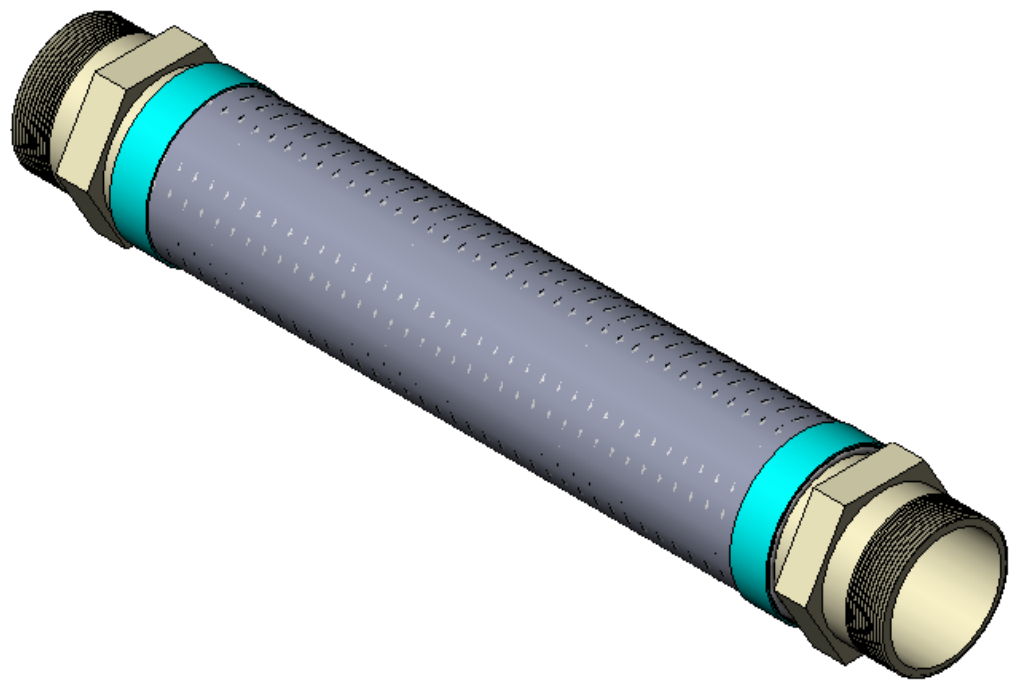
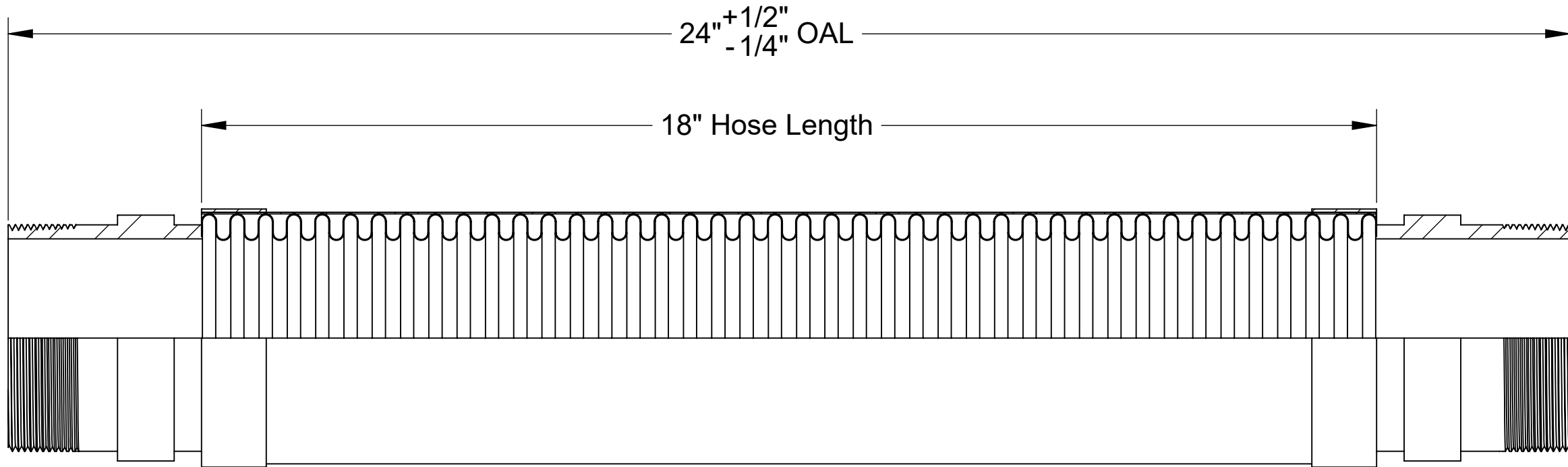
REV.

-

SHEET
1 OF 1

8 7 6 5 4 3 2 1

REVISIONS			
REV.	DESCRIPTION	DATE	APPROVED
-		7/31/2023	



----- COMPONENTS LIST -----

ITEM #	QTY.	PART NUMBER	DESCRIPTION	MATERIAL	WEIGHT
1	1	HOSE	300 Series Stainless Corrugated Hose	Stainless Steel	1.90
2	1	BRAID	300 Series Stainless Steel	Stainless Steel	0.13
3	2	BRAID COLLAR	0.06" Thick	Stainless Steel	0.22
4	2	3" MALE	3" Male, 3"x8" Thread, 4" Hex	Stainless Steel	2.73



HOSE MASTER

1233 East 222nd Street • Cleveland, Ohio 44117
 (800) 221-2319 • Fax: (216) 481-7557 • www.hosemaster.com
 Cleveland • Houston • Atlanta • Reno

ISO 9001
 Registered Quality System



REFERENCE: Fire-Shield - 3" Male x 3" Male x 24" OAL

DATE: 9/6/2023

DESCRIPTION:
 3" ID x 24" OAL 300 Series Stainless Corrugated Hose covered by 300 Series
 Stainless Braid. UL Approved 3" Male Connectors

PROJECTION:

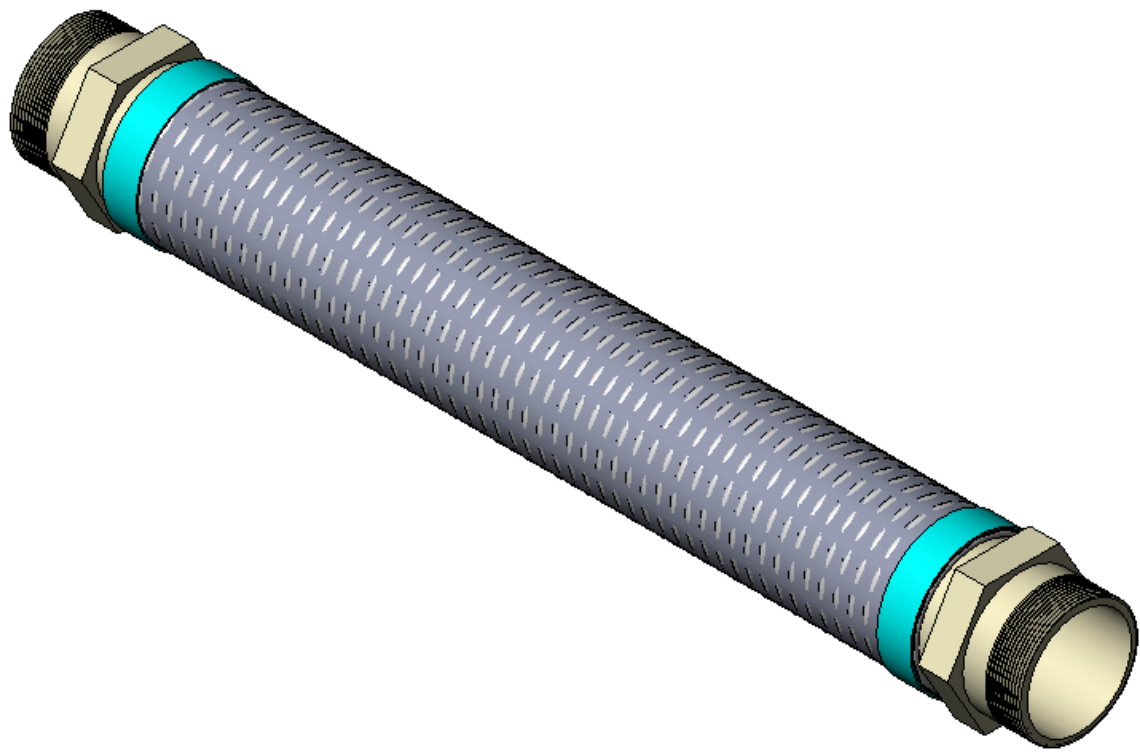
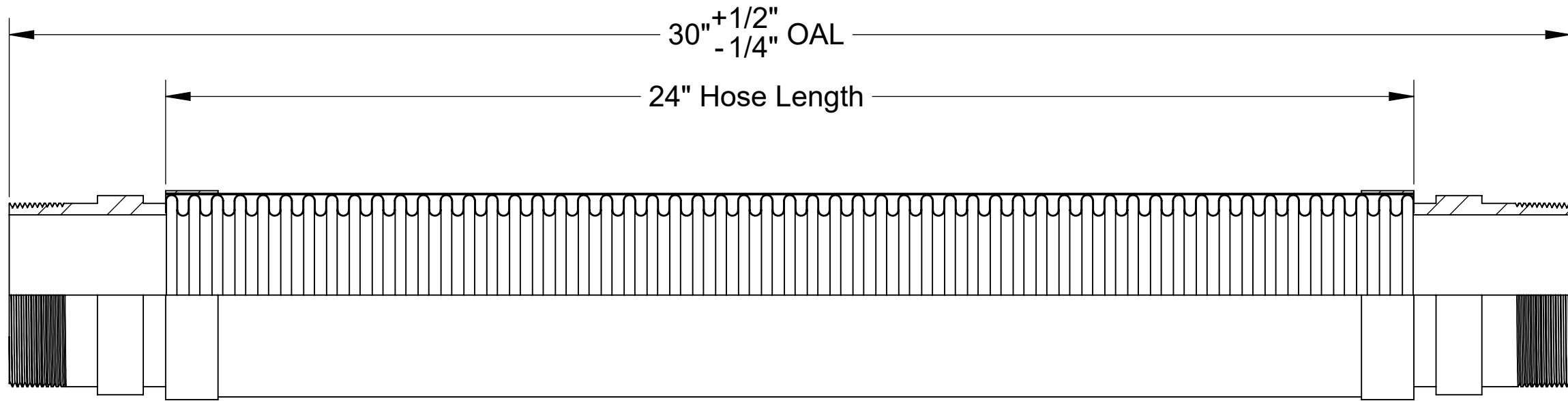


DRAWING # **FSMM0300x24**

REV. - SHEET 1 OF 1

8 7 6 5 4 3 2 1

REVISIONS			
REV.	DESCRIPTION	DATE	APPROVED
-		7/31/2023	



----- COMPONENTS LIST -----

ITEM #	QTY.	PART NUMBER	DESCRIPTION	MATERIAL	WEIGHT
1	1	HOSE	300 Series Stainless Corrugated Hose	Stainless Steel	2.50
2	1	BRAID	300 Series Stainless Steel	Stainless Steel	0.17
3	2	BRAID COLLAR	0.06" Thick	Stainless Steel	0.22
4	2	3" MALE	3" Male, 3"x8" Thread, 4" Hex	Stainless Steel	2.73



HOSE MASTER

1233 East 222nd Street • Cleveland, Ohio 44117
 (800) 221-2319 • Fax: (216) 481-7557 • www.hosemaster.com
 Cleveland • Houston • Atlanta • Reno

ISO 9001
Registered Quality System

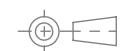


REFERENCE: Fire-Shield - 3" Male x 3" Male x 30" OAL

DATE: 9/6/2023

DESCRIPTION:
 3" ID x 30" OAL 300 Series Stainless Corrugated Hose covered by 300 Series Stainless Braid. UL Approved 3" Male Connectors

PROJECTION:



DRAWING # **FSMM0300x30**

REV. - SHEET 1 OF 1

8 7 6 5 4 3 2 1

E
D
C
B
A

E
D
C
B
A