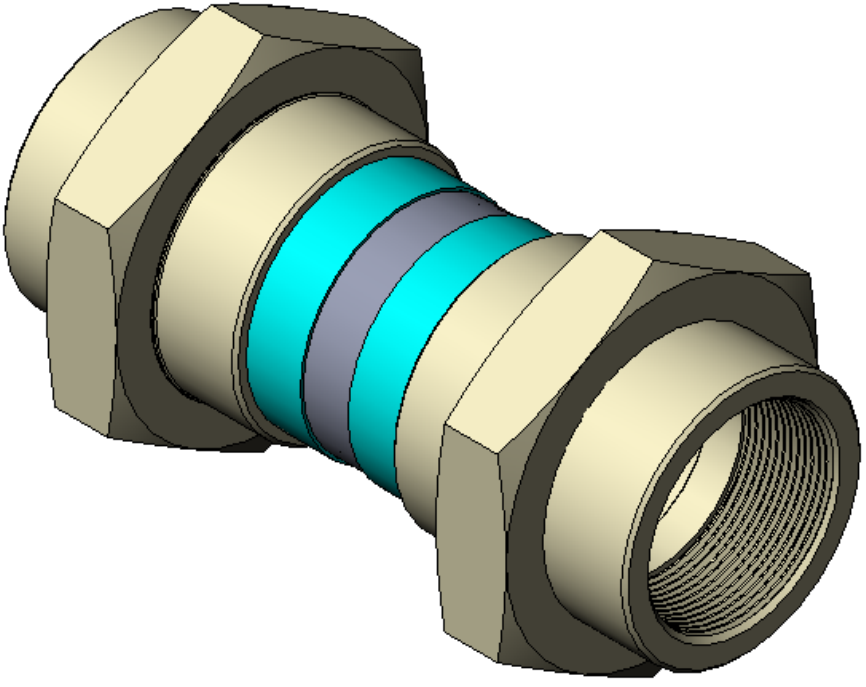
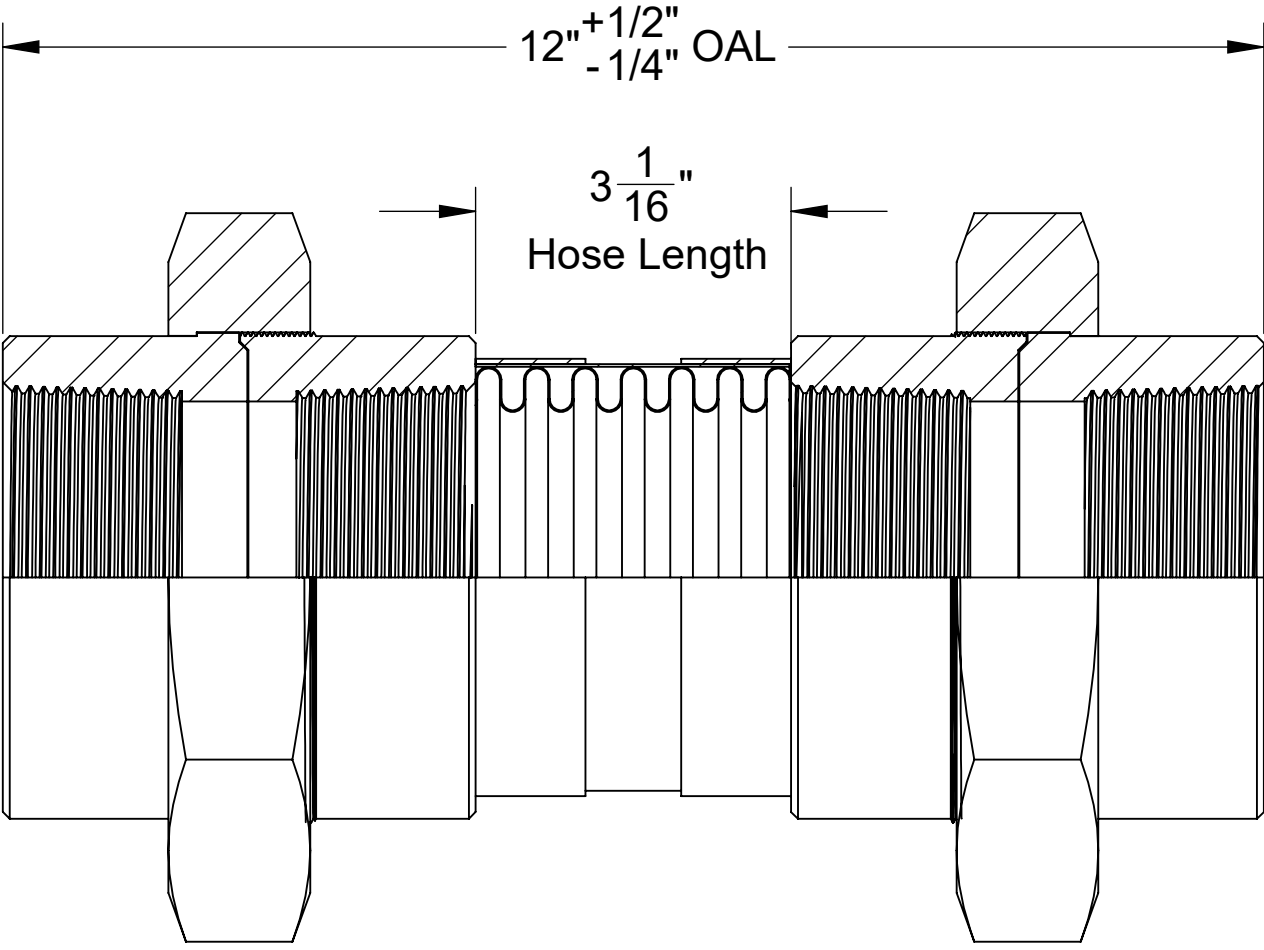


8 7 6 5 4 3 2 1

REVISIONS			
REV.	DESCRIPTION	DATE	APPROVED
-		8/30/2023	



----- COMPONENTS LIST -----

ITEM #	QTY.	PART NUMBER	DESCRIPTION	MATERIAL	WEIGHT
1	1	HOSE	300 Series Stainless Corrugated Hose	Stainless Steel	0.31
2	1	BRAID	300 Series Stainless Steel	Stainless Steel	0.02
3	2	BRAID COLLAR	0.06" Thick	Stainless Steel	0.22
4	2	3" UNION	3" Union, 3"x8" Thread, 5.75" Hex	Stainless Steel	10.25



HOSE MASTER

1233 East 222nd Street • Cleveland, Ohio 44117
 (800) 221-2319 • Fax: (216) 481-7557 • www.hosemaster.com
 Cleveland • Houston • Atlanta • Reno

ISO 9001
Registered Quality System



REFERENCE: **Fire-Shield - 3" Union x 3" Union x 12" OAL**

DATE: **9/7/2023**

DESCRIPTION:
3" ID x 12" OAL 300 Series Stainless Corrugated Hose covered by 300 Series Stainless Braid. UL Approved 3" Union Connectors

PROJECTION:



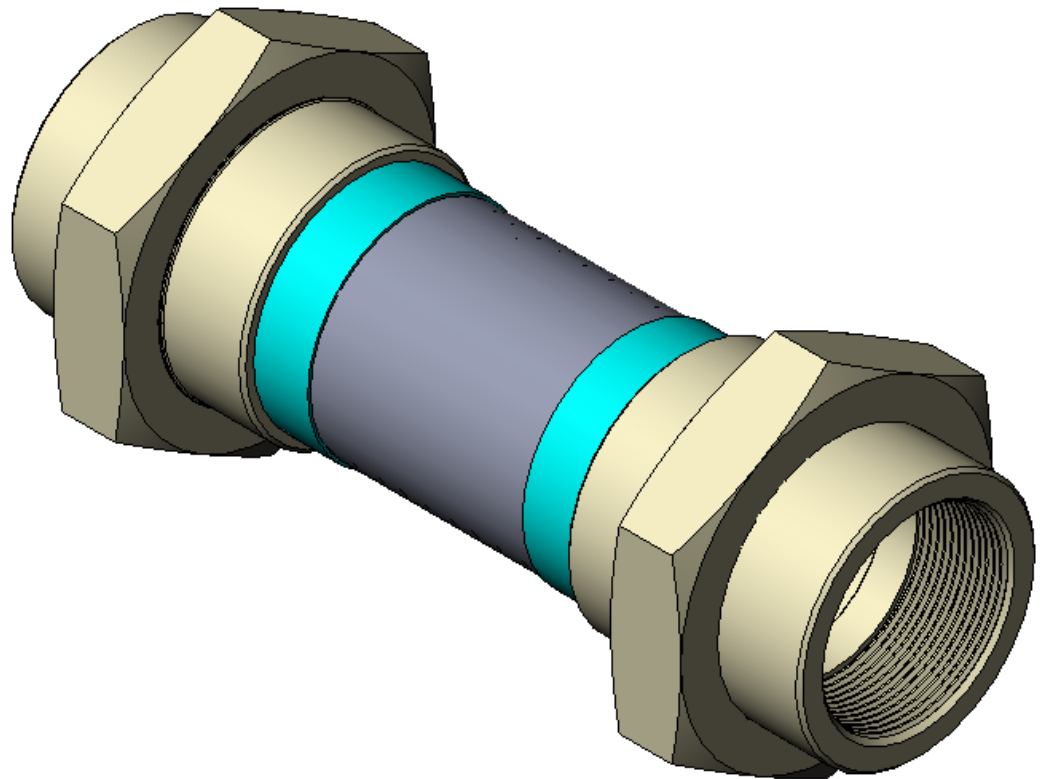
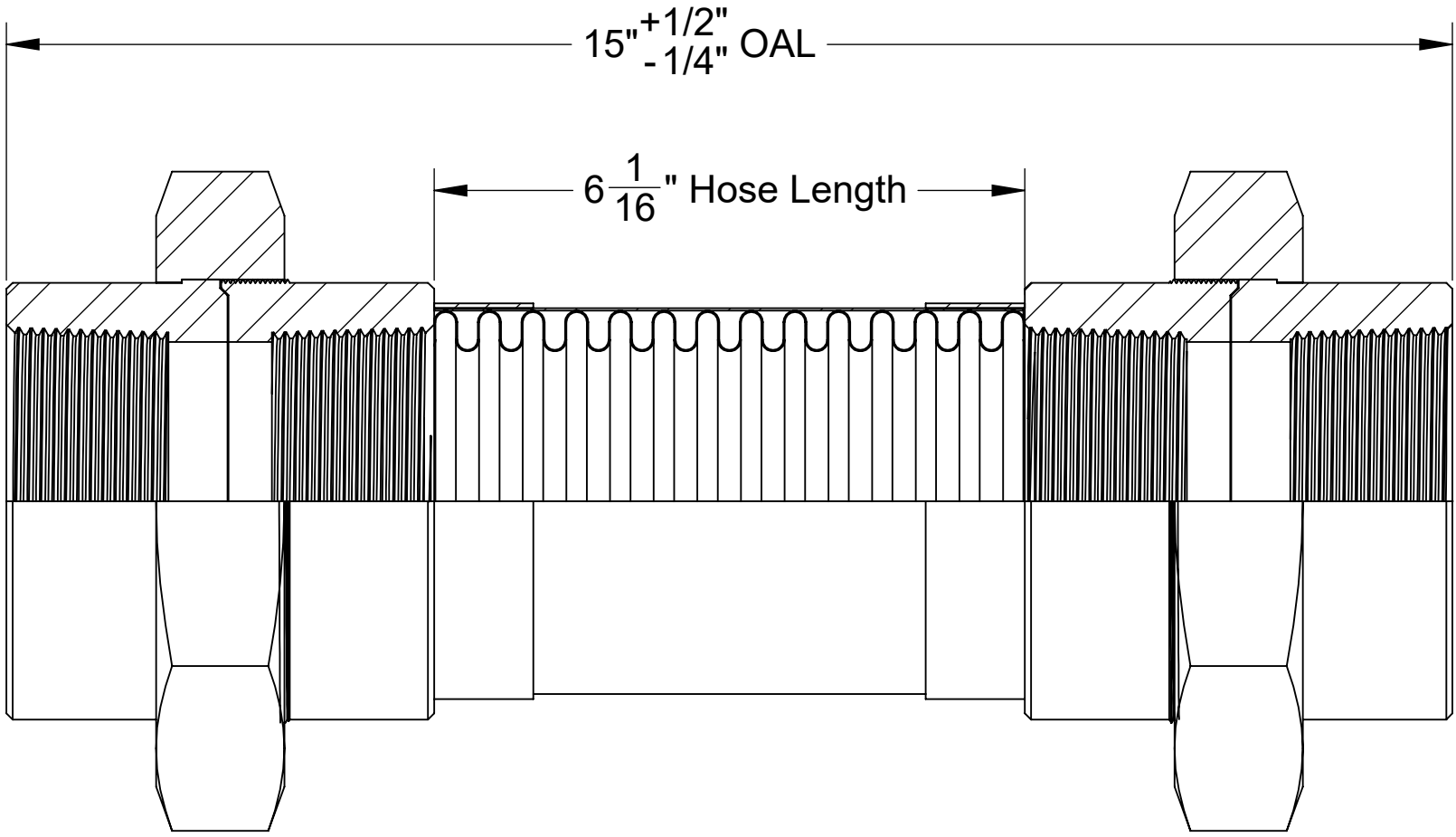
DRAWING # **FSUU0300x12**

REV. SHEET
1 OF 1

8 7 6 5 4 3 2 1

8 7 6 5 4 3 2 1

REVISIONS			
REV.	DESCRIPTION	DATE	APPROVED
-		8/30/2023	



----- COMPONENTS LIST -----

ITEM #	QTY.	PART NUMBER	DESCRIPTION	MATERIAL	WEIGHT
1	1	HOSE	300 Series Stainless Corrugated Hose	Stainless Steel	0.63
2	1	BRAID	300 Series Stainless Steel	Stainless Steel	0.04
3	2	BRAID COLLAR	0.06" Thick	Stainless Steel	0.22
4	2	3" UNION	3" Union, 3"x8" Thread, 5.75" Hex	Stainless Steel	10.25



HOSE MASTER
 1233 East 222nd Street • Cleveland, Ohio 44117
 (800) 221-2319 • Fax: (216) 481-7557 • www.hosemaster.com
 Cleveland • Houston • Atlanta • Reno

ISO 9001
 Registered Quality System

 Listed Manufacturer

REFERENCE: Fire-Shield - 3" Union x 3" Union x 15" OAL

DATE: 9/7/2023

DESCRIPTION: 3" ID x 15" OAL 300 Series Stainless Corrugated Hose covered by 300 Series Stainless Braid. UL Approved 3" Union Connectors

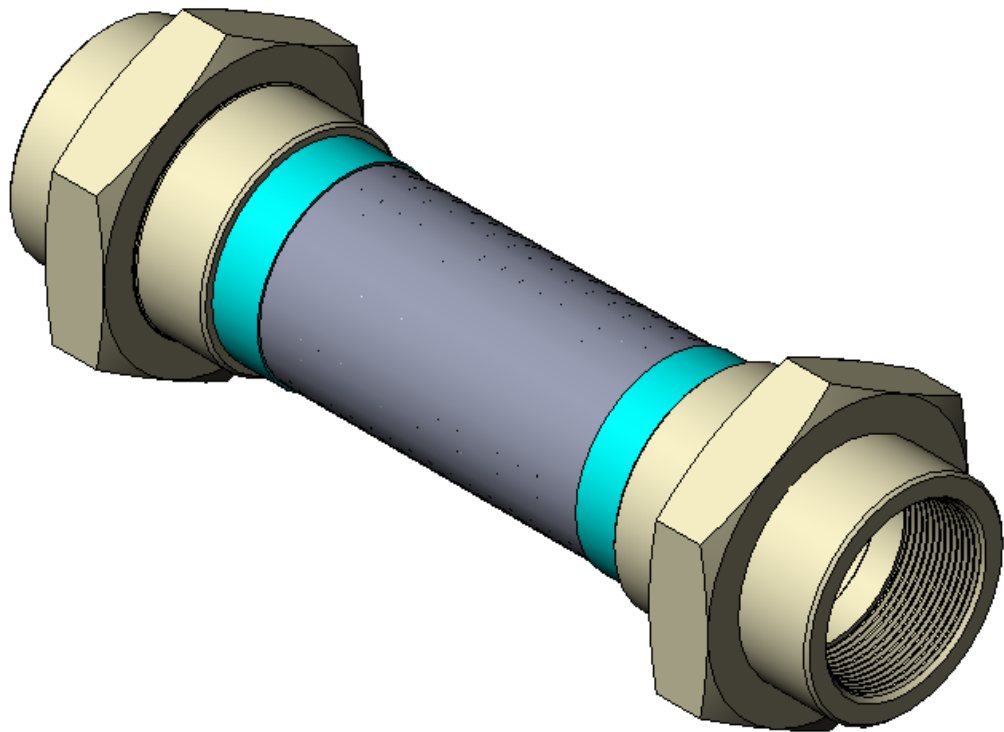
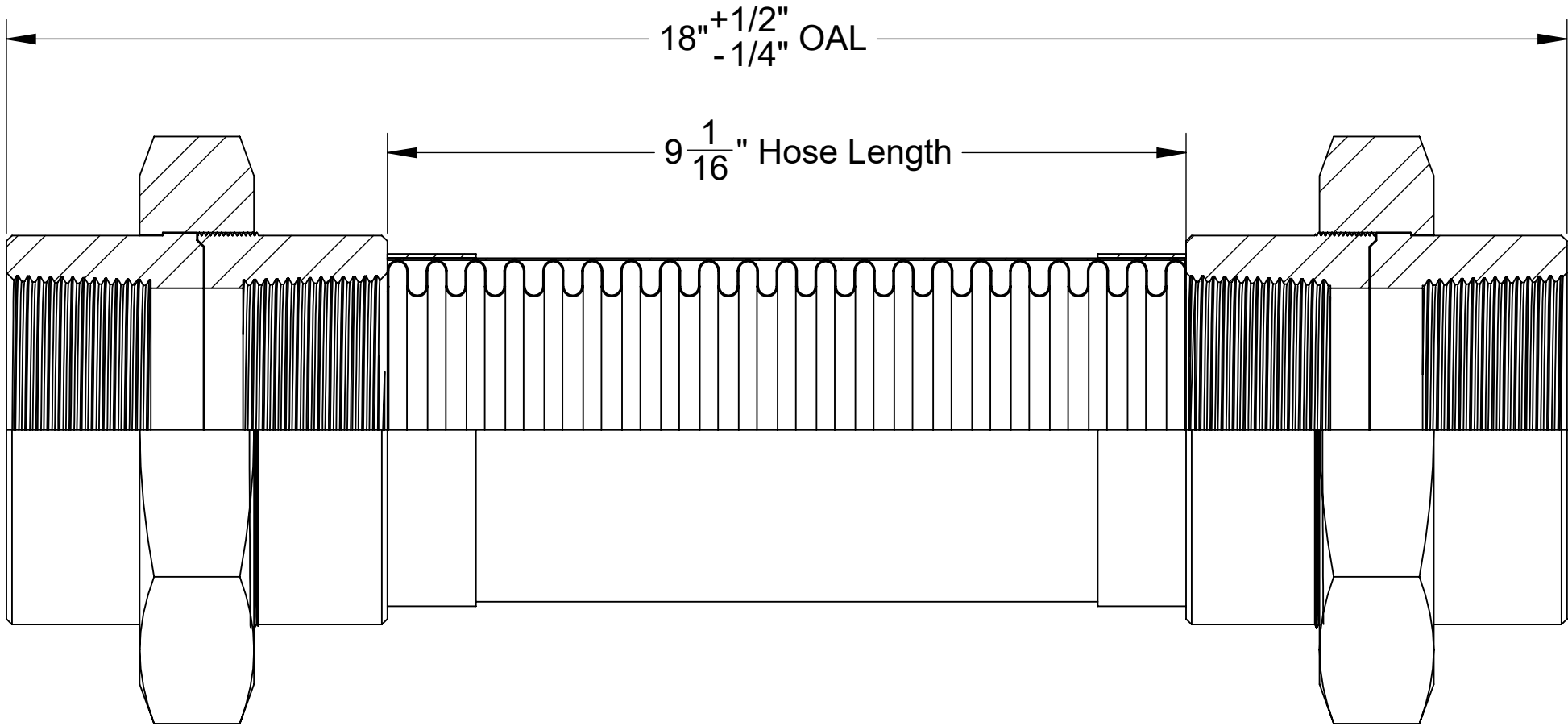
PROJECTION:


DRAWING # **FSUU0300x15**

REV. SHEET 1 OF 1

8 7 6 5 4 3 2 1

REVISIONS			
REV.	DESCRIPTION	DATE	APPROVED
-		8/30/2023	



----- COMPONENTS LIST -----

ITEM #	QTY.	PART NUMBER	DESCRIPTION	MATERIAL	WEIGHT
1	1	HOSE	300 Series Stainless Corrugated Hose	Stainless Steel	0.95
2	1	BRAID	300 Series Stainless Steel	Stainless Steel	0.06
3	2	BRAID COLLAR	0.06" Thick	Stainless Steel	0.22
4	2	3" UNION	3" Union, 3"x8" Thread, 5.75" Hex	Stainless Steel	10.25



HOSE MASTER

1233 East 222nd Street • Cleveland, Ohio 44117
 (800) 221-2319 • Fax: (216) 481-7557 • www.hosemaster.com
 Cleveland • Houston • Atlanta • Reno

ISO 9001
 Registered Quality System



REFERENCE: Fire-Shield - 3" Union x 3" Union x 18" OAL

DATE: 9/7/2023

DESCRIPTION:
 3" ID x 18" OAL 300 Series Stainless Corrugated Hose covered by 300 Series
 Stainless Braid. UL Approved 3" Union Connectors

PROJECTION:

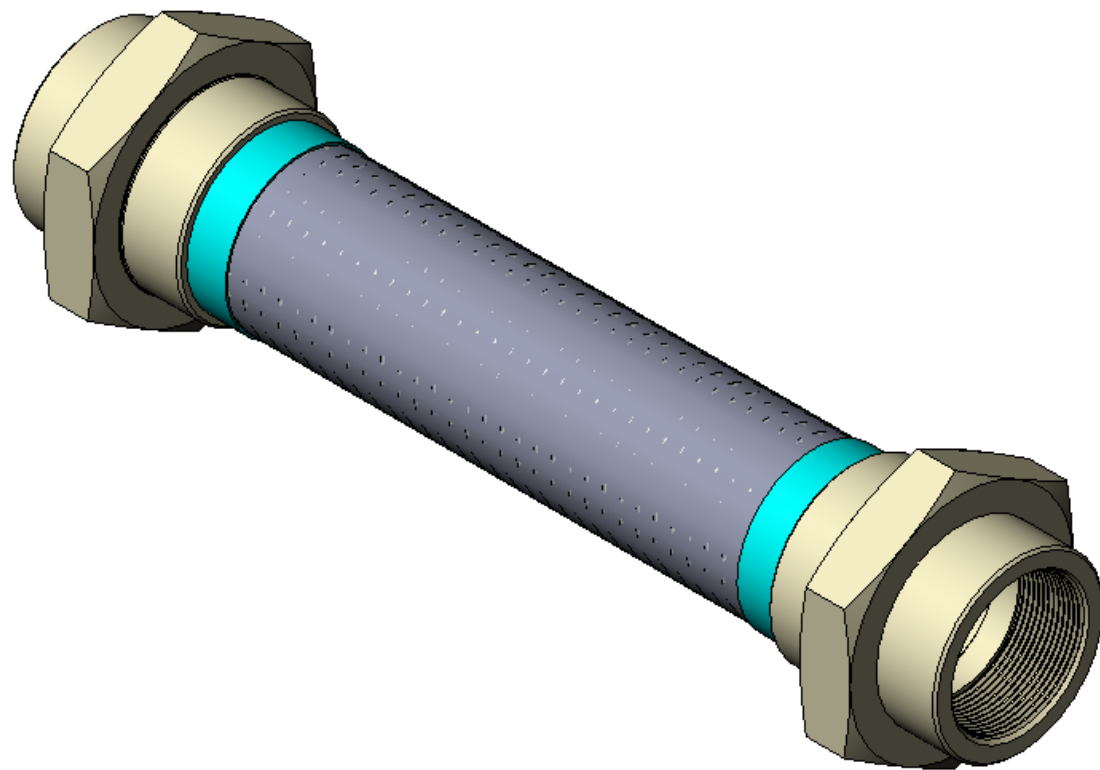
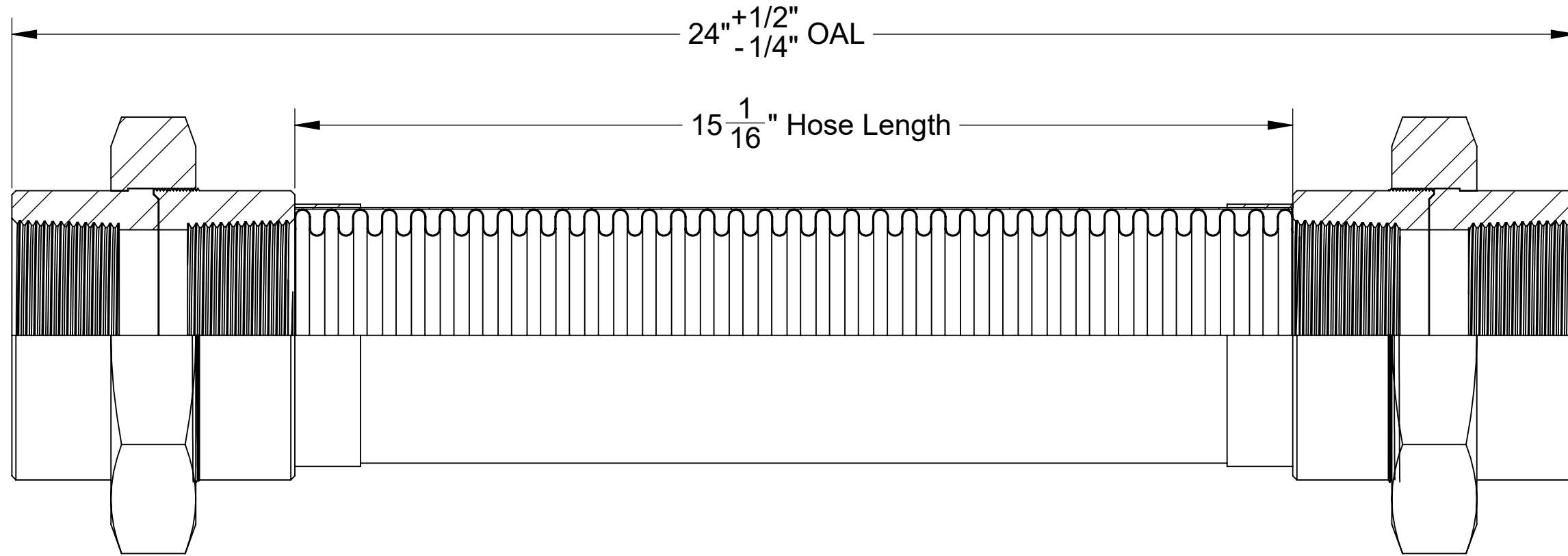


DRAWING # **FSUU0300x18**

REV. SHEET 1 OF 1

8 7 6 5 4 3 2 1

REVISIONS			
REV.	DESCRIPTION	DATE	APPROVED
-		8/30/2023	



---- COMPONENTS LIST ----

ITEM #	QTY.	PART NUMBER	DESCRIPTION	MATERIAL	WEIGHT
1	1	HOSE	300 Series Stainless Corrugated Hose	Stainless Steel	1.58
2	1	BRAID	300 Series Stainless Steel	Stainless Steel	0.11
3	2	BRAID COLLAR	0.06" Thick	Stainless Steel	0.22
4	2	3" UNION	3" Union, 3"x8" Thread, 5.75" Hex	Stainless Steel	10.25



HOSE MASTER

1233 East 222nd Street • Cleveland, Ohio 44117
 (800) 221-2319 • Fax: (216) 481-7557 • www.hosemaster.com
 Cleveland • Houston • Atlanta • Reno

ISO 9001
 Registered Quality System

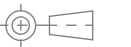


REFERENCE: **Fire-Shield - 3" Union x 3" Union x 24" OAL**

DATE: **9/7/2023**

DESCRIPTION:
3" ID x 24" OAL 300 Series Stainless Corrugated Hose covered by 300 Series Stainless Braid. UL Approved 3" Union Connectors

PROJECTION:



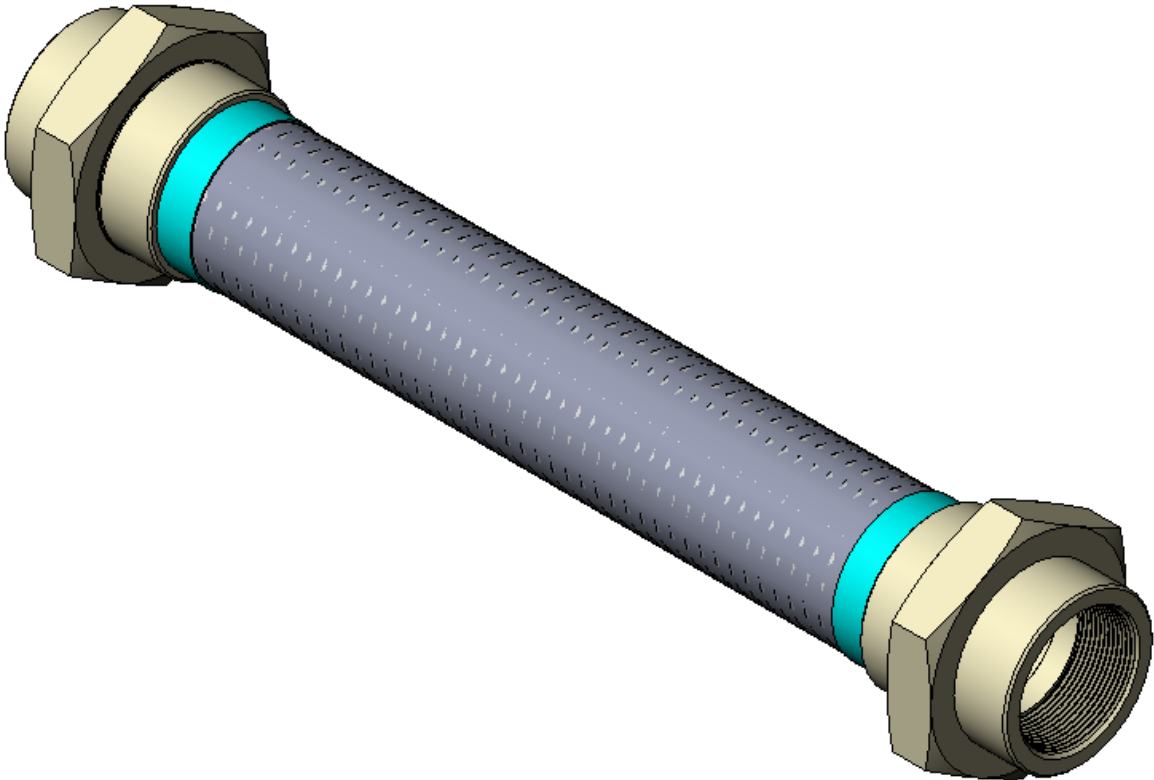
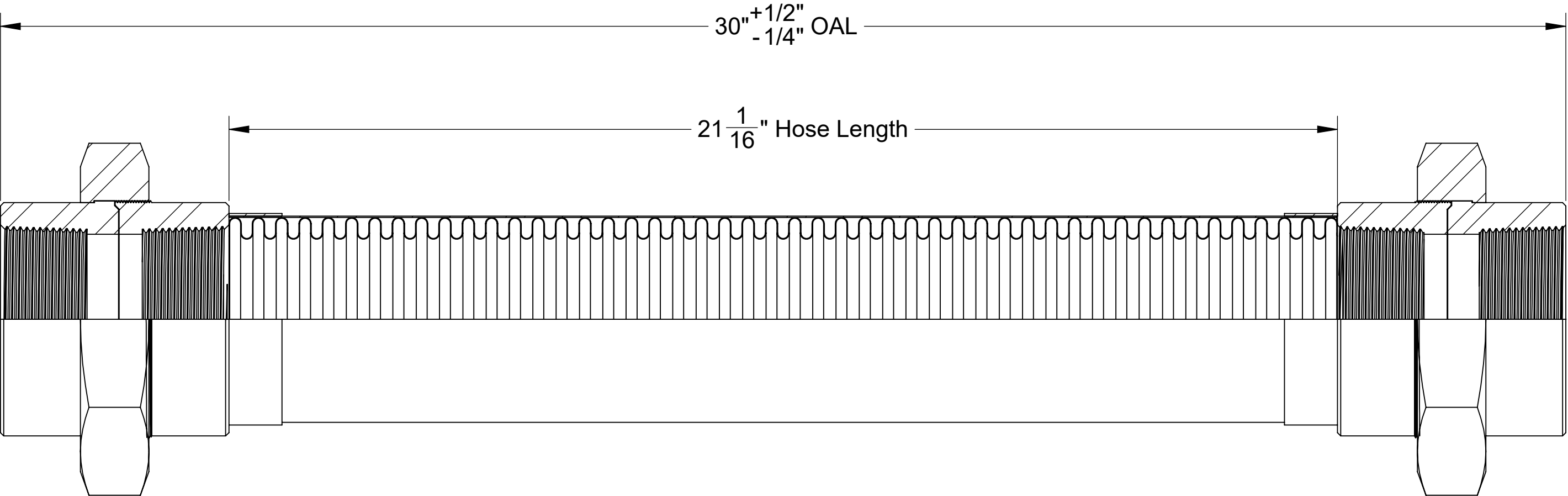
DRAWING # **FSUU0300x24**

REV. SHEET
 1 OF 1

8 7 6 5 4 3 2 1

8 7 6 5 4 3 2 1

REVISIONS			
REV.	DESCRIPTION	DATE	APPROVED
-		8/30/2023	



---- COMPONENTS LIST ----

ITEM #	QTY.	PART NUMBER	DESCRIPTION	MATERIAL	WEIGHT
1	1	HOSE	300 Series Stainless Corrugated Hose	Stainless Steel	2.22
2	1	BRAID	300 Series Stainless Steel	Stainless Steel	0.15
3	2	BRAID COLLAR	0.06" Thick	Stainless Steel	0.22
4	2	3" UNION	3" Union, 3"x8" Thread, 5.75" Hex	Stainless Steel	10.25



HOSE MASTER

1233 East 222nd Street • Cleveland, Ohio 44117
 (800) 221-2319 • Fax: (216) 481-7557 • www.hosemaster.com
 Cleveland • Houston • Atlanta • Reno

ISO 9001
 Registered Quality System

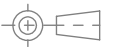


REFERENCE: **Fire-Shield - 3" Union x 3" Union x 30" OAL**

DATE: **9/7/2023**

DESCRIPTION:
3" ID x 30" OAL 300 Series Stainless Corrugated Hose covered by 300 Series Stainless Braid. UL Approved 3" Union Connectors

PROJECTION:



DRAWING # **FSUU0300x30**

REV. SHEET
1 OF 1

8 7 6 5 4 3 2 1