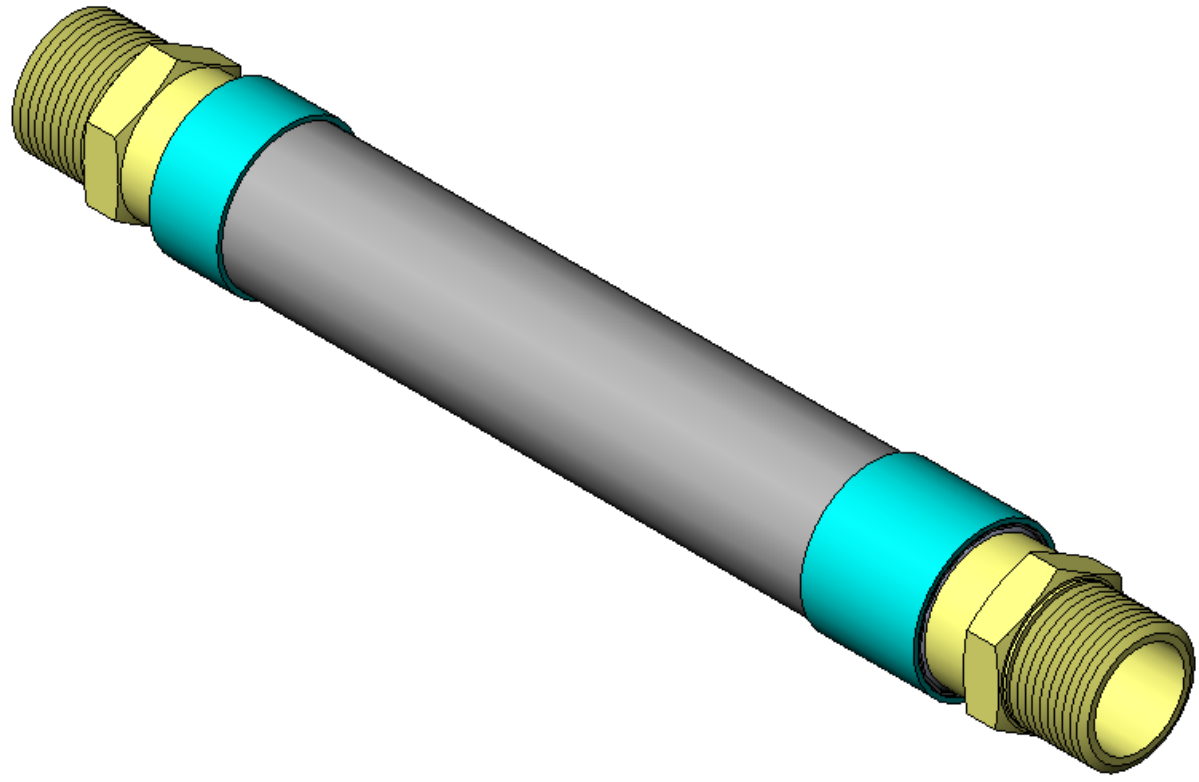
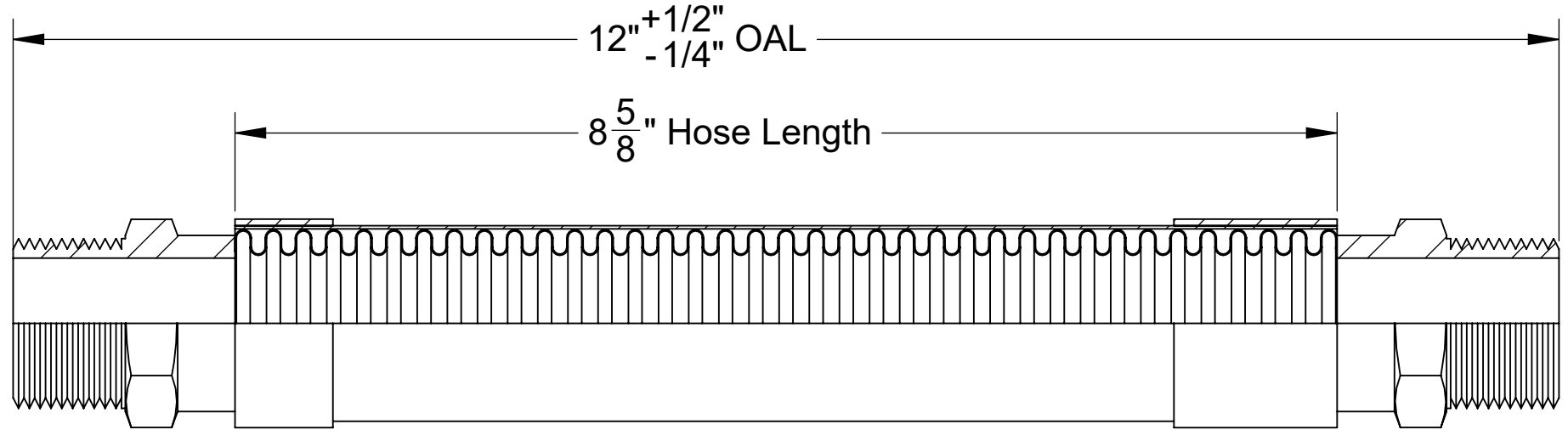


REVISIONS			
REV.	DESCRIPTION	DATE	APPROVED
-		9/6/2023	



ITEM #	QTY.	PART NUMBER	DESCRIPTION	MATERIAL	WEIGHT
1	1	HOSE	300 Series Stainless Corrugated Hose	Stainless Steel	0.21
2	1	BRAID	300 Series Stainless Steel	Stainless Steel	0.02
3	1	BRAID COLLAR	0.05" Thick	Stainless Steel	0.05
4	1	COLLAR 2	0.05" Thick	Stainless Steel	0.11
5	2	1" MALE	1" Male, 1"x11-1/2" Thread, 1.38" Hex	Stainless Steel	0.27

	HOSE MASTER Inc. 1233 East 222nd Street • Cleveland, Ohio 44117 (800) 221-2319 • Fax: (216) 481-7557 • www.hosemaster.com Locations: Cleveland • Houston	Registered to: ISO 9001 : 2000

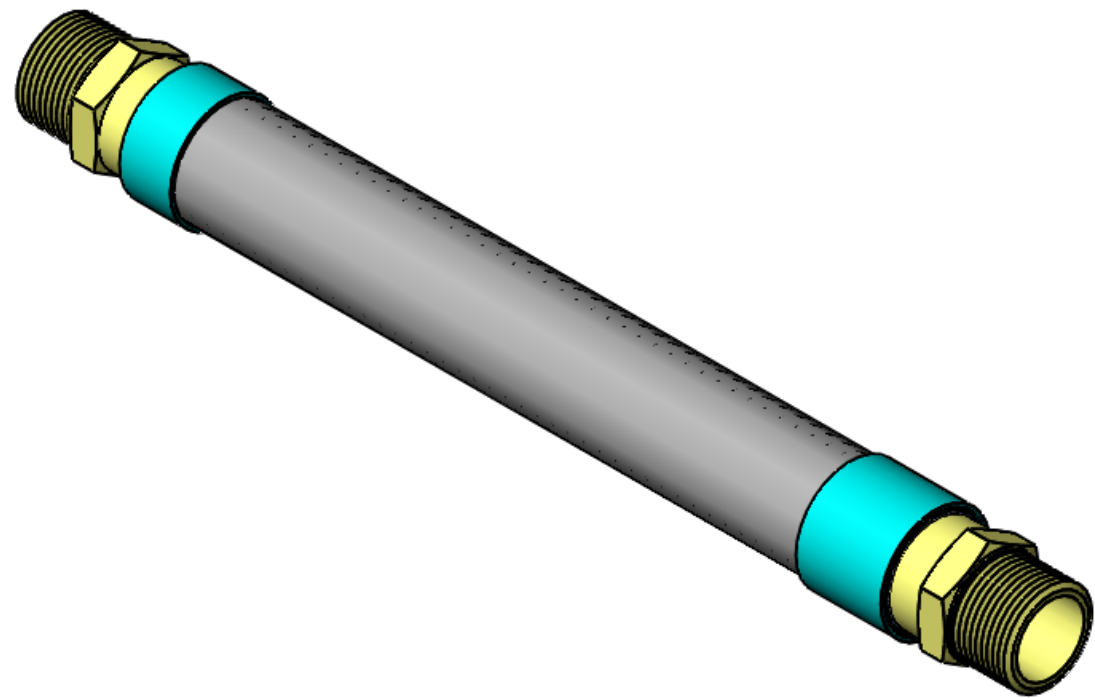
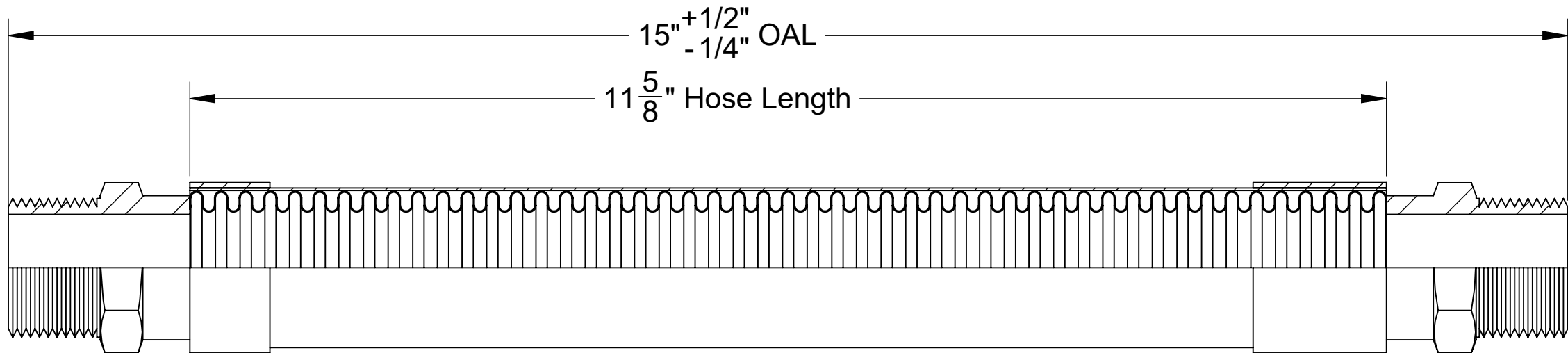
Projection:	Customer: Hose Master Inc.	Prepared By: korteh
	Reference: Fire- Shield - 1" Male x 1" Male x 12" OAL	Date: 9/6/2023

Description:			
1" ID x 12" OAL 300 Series Stainless Corrugated Hose covered by 300 Series Stainless Braid. UL Approved 1" Male Connectors			
Drawing #:	FSMM0100x12	Rev.:	SHEET 1 OF 1



8 7 6 5 4 3 2 1

REVISIONS			
REV.	DESCRIPTION	DATE	APPROVED
-		9/6/2023	



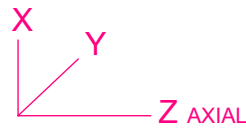
ITEM #	QTY.	PART NUMBER	DESCRIPTION	MATERIAL	WEIGHT
1	1	HOSE	300 Series Stainless Corrugated Hose	Stainless Steel	0.28
2	1	BRAID	300 Series Stainless Steel	Stainless Steel	0.03
3	1	BRAID COLLAR	0.05" Thick	Stainless Steel	0.05
4	1	COLLAR 2	0.05" Thick	Stainless Steel	0.11
5	2	1" MALE	1" Male, 1"x11-1/2" Thread, 1.38" Hex	Stainless Steel	0.27

	HOSE MASTER Inc. 1233 East 222nd Street • Cleveland, Ohio 44117 (800) 221-2319 • Fax: (216) 481-7557 • www.hosemaster.com Locations: Cleveland • Houston	Registered to: ISO 9001 : 2000
	Locations: Cleveland • Houston	

Projection:	Customer: Hose Master Inc.	Prepared By: korteh
	Reference: Fire- Shield - 1" Male x 1" Male x 15" OAL	Date: 9/6/2023

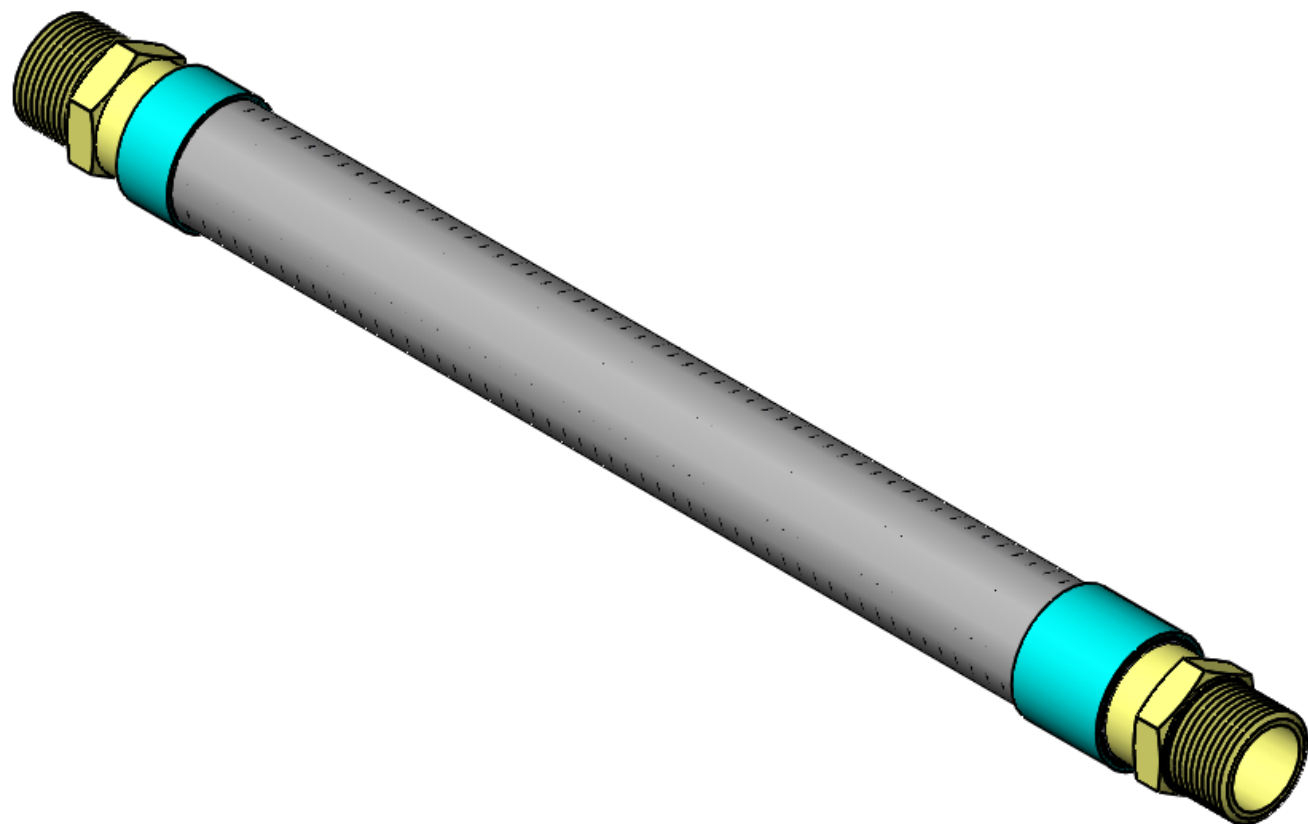
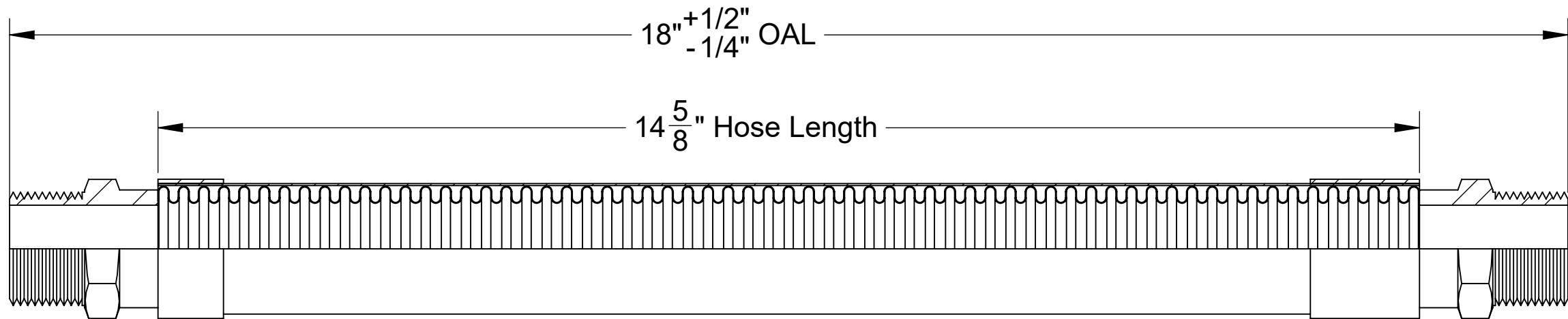
Description:
1" ID x 15" OAL 300 Series Stainless Corrugated Hose covered by 300 Series Stainless Braid. UL Approved 1" Male Connectors

Drawing #:	FSMM0100x15	Rev.:	SHEET 1 OF 1
------------	--------------------	-------	--------------




8 7 6 5 4 3 2 1

REVISIONS			
REV.	DESCRIPTION	DATE	APPROVED
-		9/6/2023	



ITEM #	QTY.	PART NUMBER	DESCRIPTION	MATERIAL	WEIGHT
1	1	HOSE	300 Series Stainless Corrugated Hose	Stainless Steel	0.35
2	1	BRAID	300 Series Stainless Steel	Stainless Steel	0.04
3	1	BRAID COLLAR	0.05" Thick	Stainless Steel	0.05
4	1	COLLAR 2	0.05" Thick	Stainless Steel	0.11
5	2	1" MALE	1" Male, 1"x11-1/2" Thread, 1.38" Hex	Stainless Steel	0.27

	HOSE MASTER Inc. 1233 East 222nd Street • Cleveland, Ohio 44117 (800) 221-2319 • Fax: (216) 481-7557 • www.hosemaster.com Locations: Cleveland • Houston		Registered to: ISO 9001 : 2000
			

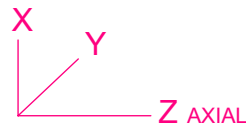
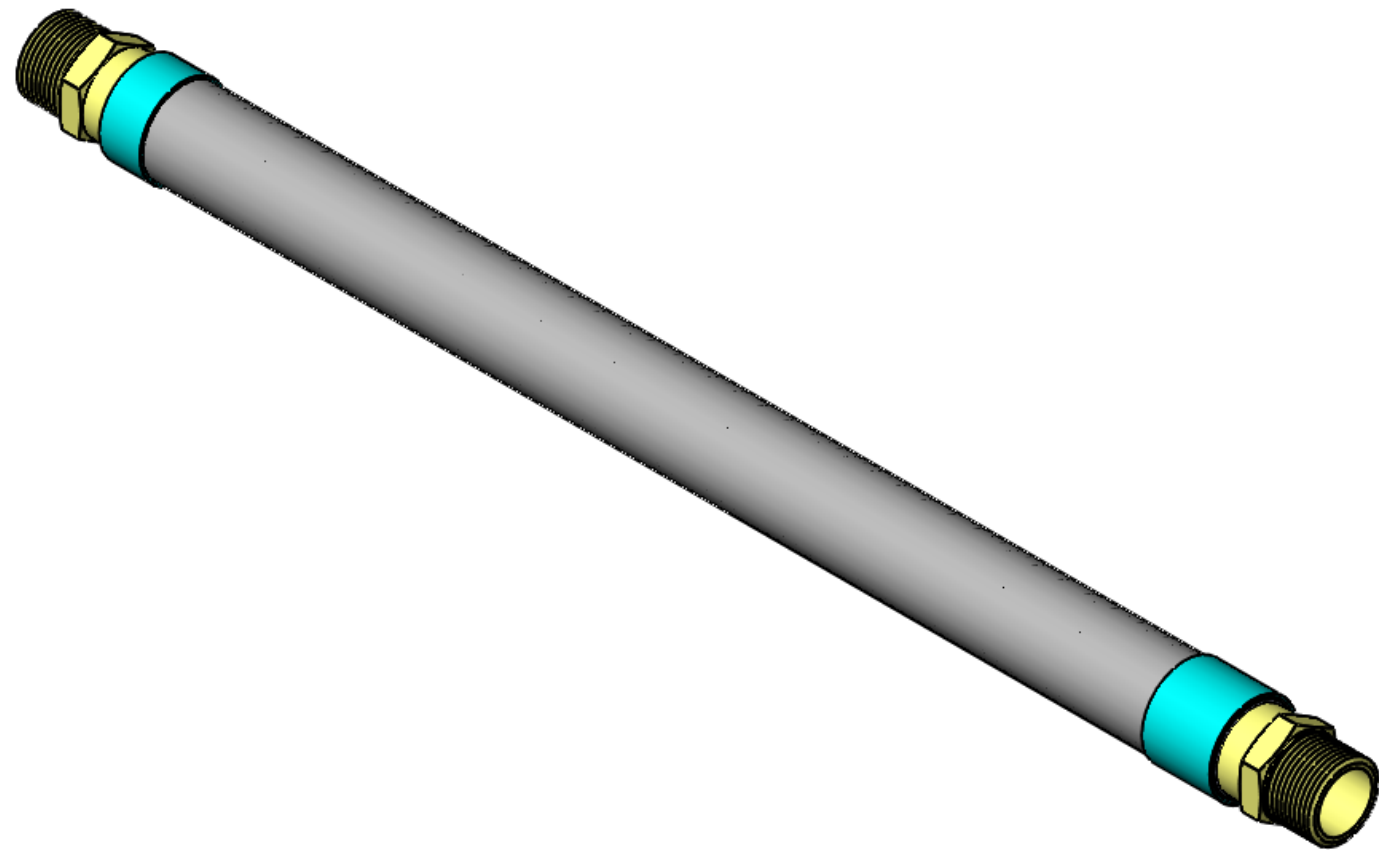
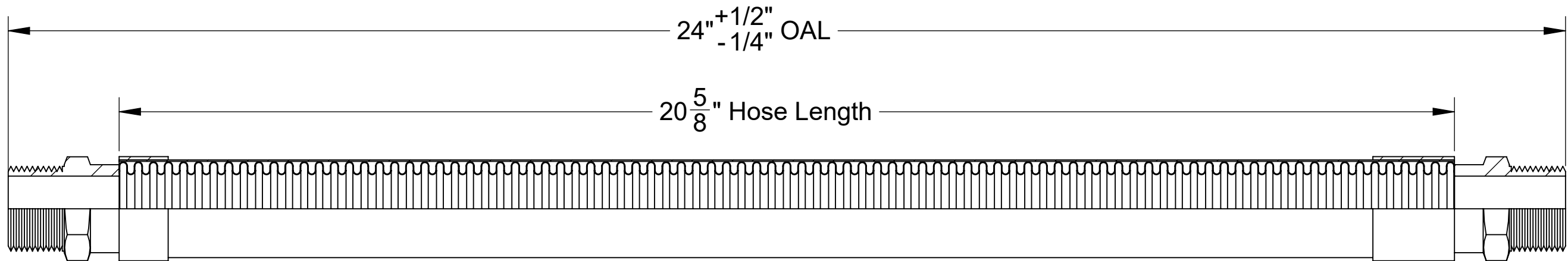
Projection:	Customer: Hose Master Inc.	Prepared By: korteh
	Reference: Fire- Shield - 1" Male x 1" Male x 18" OAL	Date: 9/6/2023

Description:
1" ID x 18" OAL 300 Series Stainless Corrugated Hose covered by 300 Series Stainless Braid. UL Approved 1" Male Connectors

Drawing #:	FSMM0100x18	Rev.:	SHEET 1 OF 1
------------	--------------------	-------	--------------



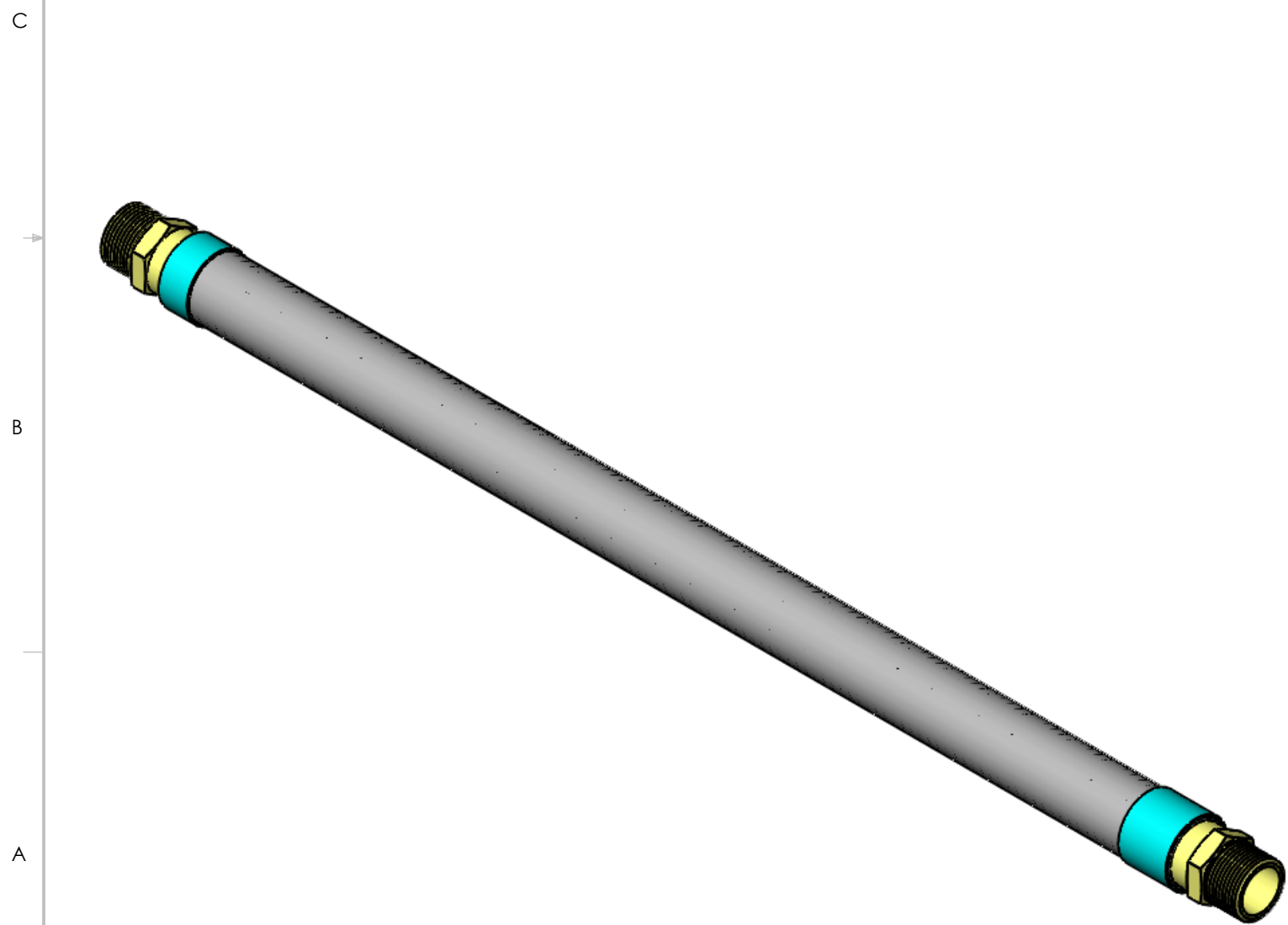
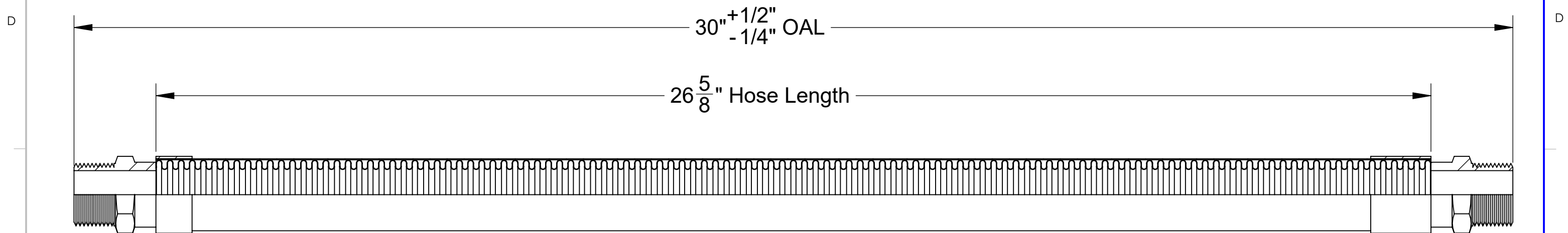
REVISIONS			
REV.	DESCRIPTION	DATE	APPROVED
-		9/6/2023	



ITEM #	QTY.	PART NUMBER	DESCRIPTION	MATERIAL	WEIGHT
1	1	HOSE	300 Series Stainless Corrugated Hose	Stainless Steel	0.50
2	1	BRAID	300 Series Stainless Steel	Stainless Steel	0.06
3	1	BRAID COLLAR	0.05" Thick	Stainless Steel	0.05
4	1	COLLAR 2	0.05" Thick	Stainless Steel	0.11
5	2	1" MALE	1" Male, 1"x11-1/2" Thread, 1.38" Hex	Stainless Steel	0.27


		HOSE MASTER Inc. 1233 East 222nd Street • Cleveland, Ohio 44117 (800) 221-2319 • Fax: (216) 481-7557 • www.hosemaster.com Locations: Cleveland • Houston		Registered to: ISO 9001 : 2000
				
Projection: 	Customer: Hose Master Inc.	Prepared By: korteh		Date: 9/6/2023
	Reference: Fire- Shield - 1" Male x 1" Male x 24" OAL	Description:		
	1" ID x 24" OAL 300 Series Stainless Corrugated Hose covered by 300 Series Stainless Braid. UL Approved 1" Male Connectors			
	Drawing #:	FSMM0100x24		Rev.: SHEET 1 OF 1

REVISIONS			
REV.	DESCRIPTION	DATE	APPROVED
-		9/6/2023	



ITEM #	QTY.	PART NUMBER	DESCRIPTION	MATERIAL	WEIGHT
1	1	HOSE	300 Series Stainless Corrugated Hose	Stainless Steel	0.64
2	1	BRAID	300 Series Stainless Steel	Stainless Steel	0.07
3	1	BRAID COLLAR	0.05" Thick	Stainless Steel	0.05
4	1	COLLAR 2	0.05" Thick	Stainless Steel	0.11
5	2	1" MALE	1" Male, 1"x11-1/2" Thread, 1.38" Hex	Stainless Steel	0.27

	HOSE MASTER Inc. 1233 East 222nd Street • Cleveland, Ohio 44117 (800) 221-2319 • Fax: (216) 481-7557 • www.hosemaster.com Locations: Cleveland • Houston		Registered to: ISO 9001 : 2000
			

Projection:	Customer: Hose Master Inc.	Prepared By: korteh
	Reference: Fire- Shield - 1" Male x 1" Male x 30" OAL	Date: 9/6/2023

Description:
1" ID x 30" OAL 300 Series Stainless Corrugated Hose covered by 300 Series Stainless Braid. UL Approved 1" Male Connectors

Drawing #:	FSMM0100x30	Rev.:	SHEET 1 OF 1
------------	--------------------	-------	--------------

