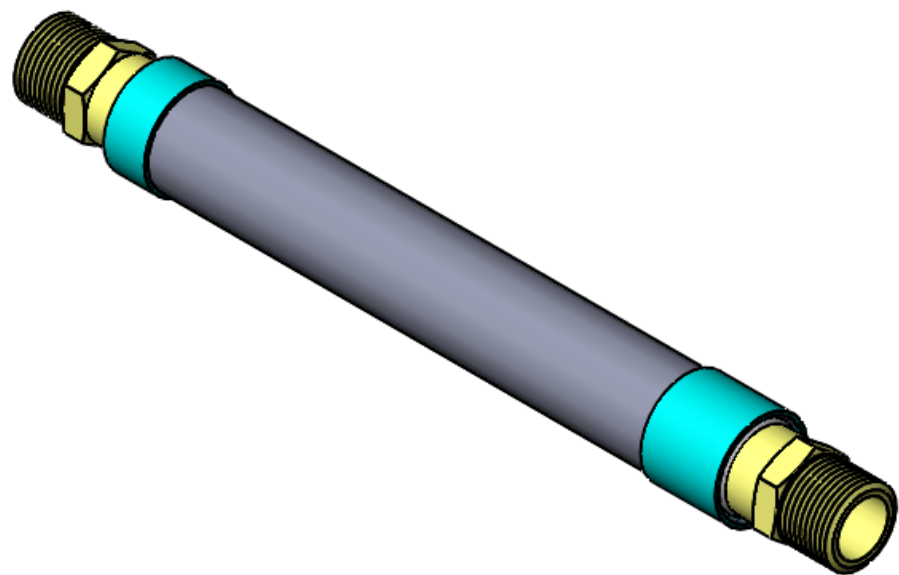
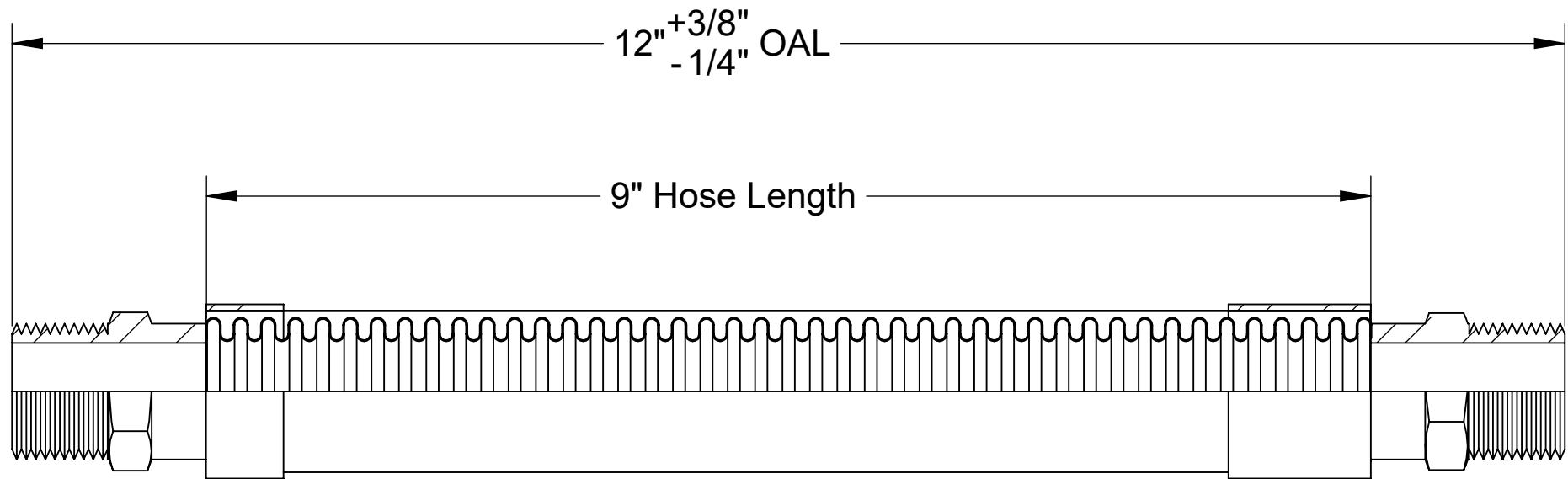



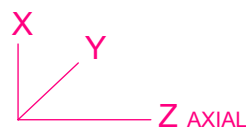
REVISIONS			
REV.	DESCRIPTION	DATE	APPROVED



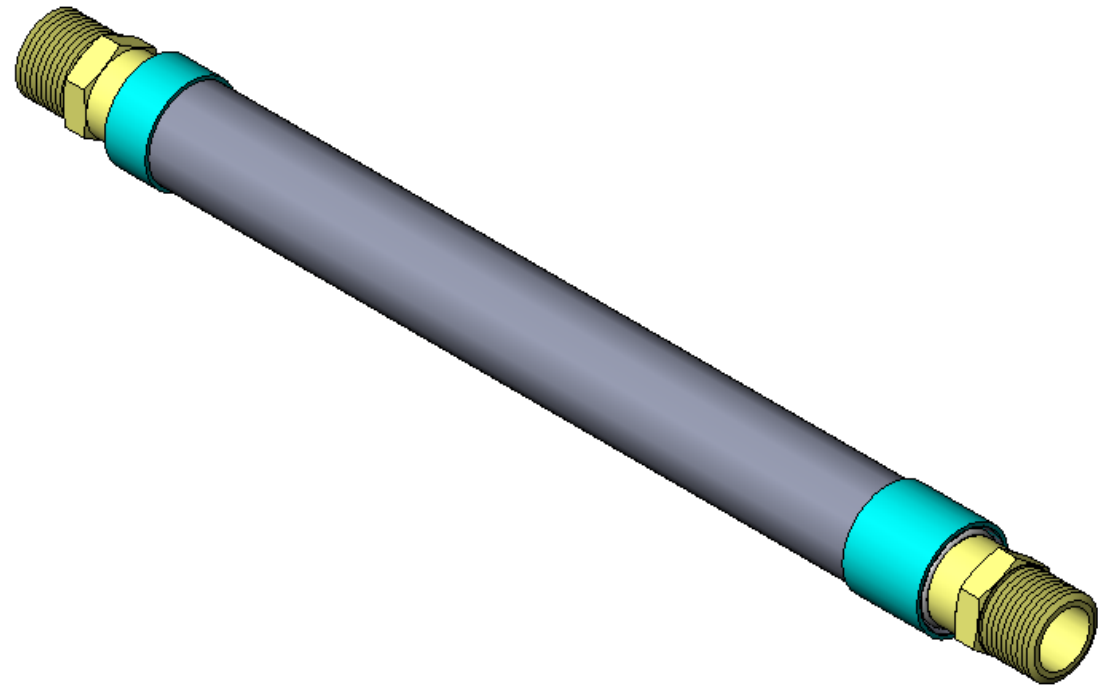
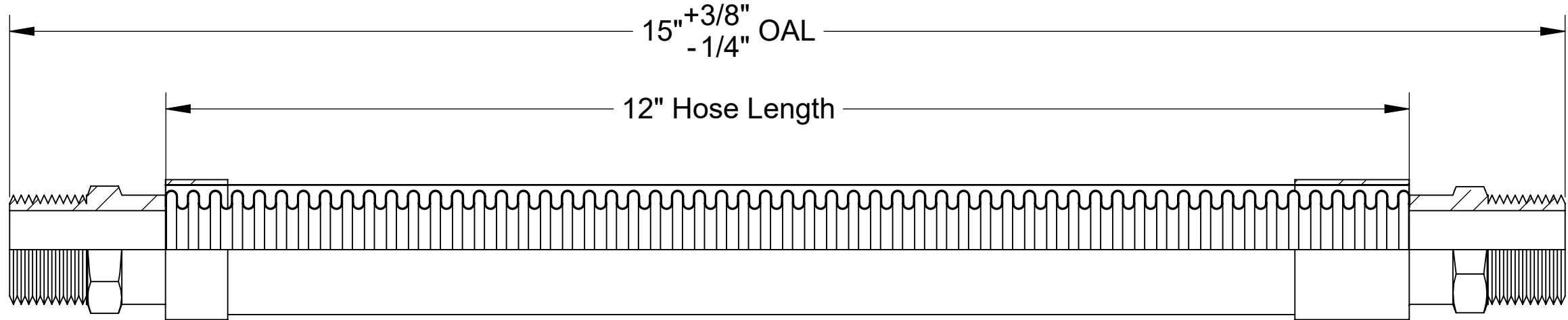
ITEM #	QTY.	PART NUMBER	DESCRIPTION	MATERIAL	WEIGHT
1	1	HOSE	300 Series Stainless Corrugated Hose	Stainless Steel	0.17
2	1	BRAID	300 Series Stainless Steel	Stainless Steel	0.02
3	1	BRAID COLLAR	0.05" Thick	Stainless Steel	0.03
4	1	COLLAR 2	0.05" Thick	Stainless Steel	0.06
5	2	0.75" MALE	0.75" Male, 3/4"x14" Thread, 1.06" Hex	Stainless Steel	0.16

	HOSE MASTER Inc. 1233 East 222nd Street • Cleveland, Ohio 44117 (800) 221-2319 • Fax: (216) 481-7557 • www.hosemaster.com Locations: Cleveland • Houston		Registered to: ISO 9001 : 2000
			

Projection:	Customer: Hose Master Inc.	Prepared By: korteh
	Reference: Fire-Shield - 0.75" Male x 0.75" Male x 12" OAL	CALC. WEIGHT: 1 lbs. Date: 9/7/2023
Description:	0.75" ID x 12" OAL 300 Series Stainless Corrugated Hose covered by 300 Series Stainless Braid. UL Approved 0.75" Male Connectors	
Drawing #:	FSMM0075x12	Rev.: SHEET 1 OF 1



REVISIONS			
REV.	DESCRIPTION	DATE	APPROVED
-		9/6/2023	



ITEM #	QTY.	PART NUMBER	DESCRIPTION	MATERIAL	WEIGHT
1	1	HOSE	300 Series Stainless Corrugated Hose	Stainless Steel	0.23
2	1	BRAID	300 Series Stainless Steel	Stainless Steel	0.03
3	1	BRAID COLLAR	0.05" Thick	Stainless Steel	0.03
4	1	COLLAR 2	0.05" Thick	Stainless Steel	0.06
5	2	0.75" MALE	0.75" male, 3/4"x14" Thread, 1.06" Hex	Stainless Steel	0.16



HOSE MASTER Inc.

1233 East 222nd Street • Cleveland, Ohio 44117
 (800) 221-2319 • Fax: (216) 481-7557 • www.hosemaster.com
 Locations: **Cleveland • Houston**

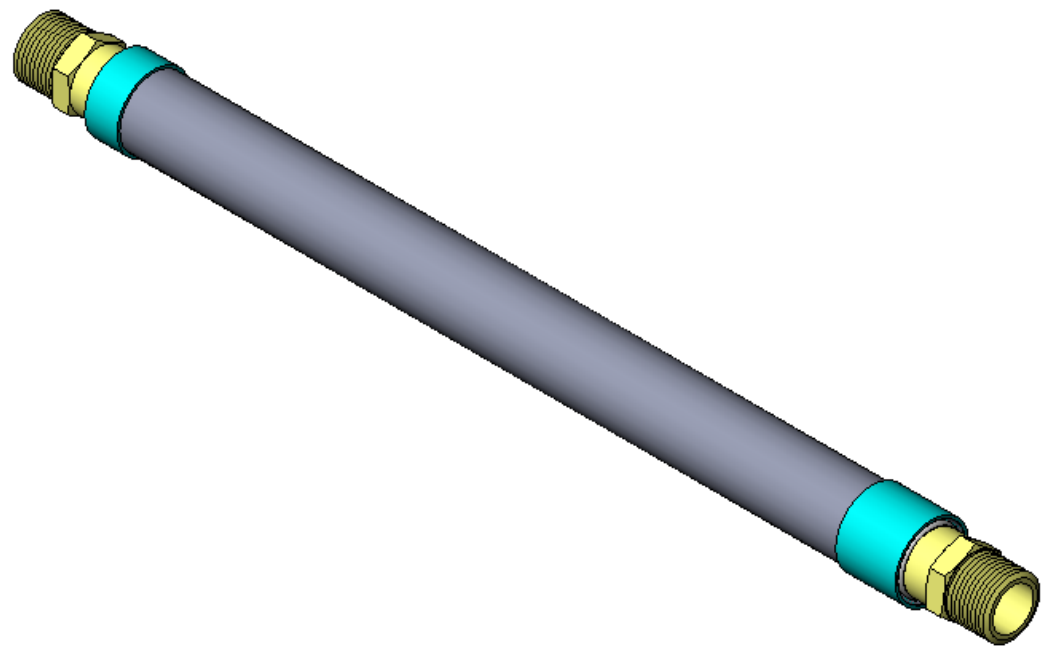
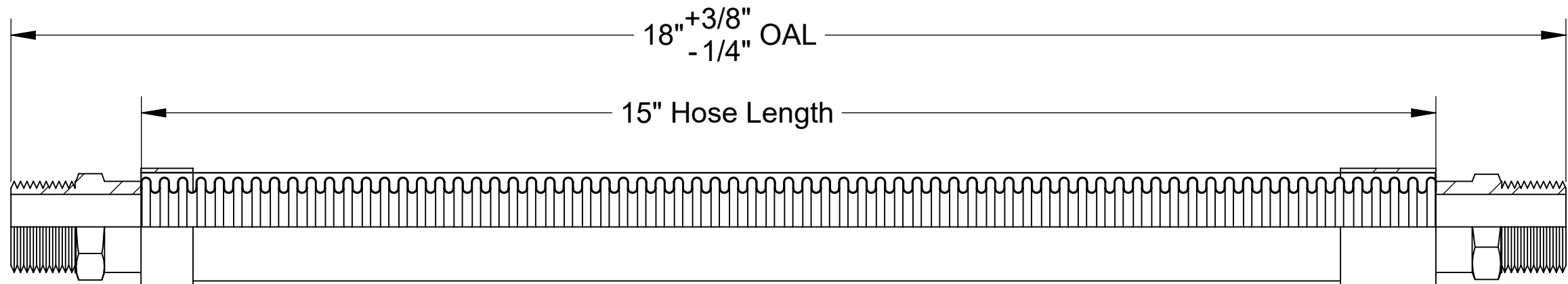
Registered to:
ISO 9001 : 2000



Projection:	Customer: Hose Master Inc.	Prepared By: korteh	
	Reference: Fire-Shield - 0.75" Male x 0.75" Male x 15" OAL	CALC. WEIGHT: 1 lbs.	Date: 9/6/2023
Description:	0.75" ID x 15" OAL 300 Series Stainless Corrugated Hose covered by 300 Series Stainless Braid. UL Approved 0.75" Male Connectors		
	Drawing #:	FSMM0075x15	Rev.: SHEET 1 OF 1



REVISIONS			
REV.	DESCRIPTION	DATE	APPROVED
-		9/6/2023	

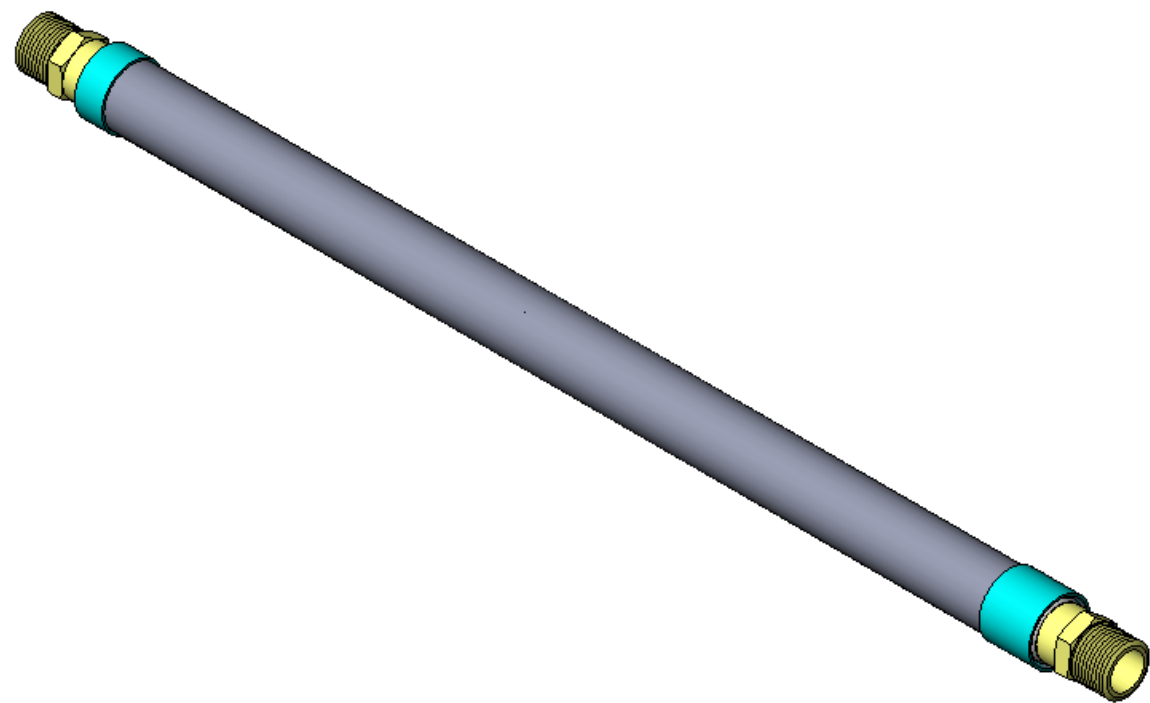
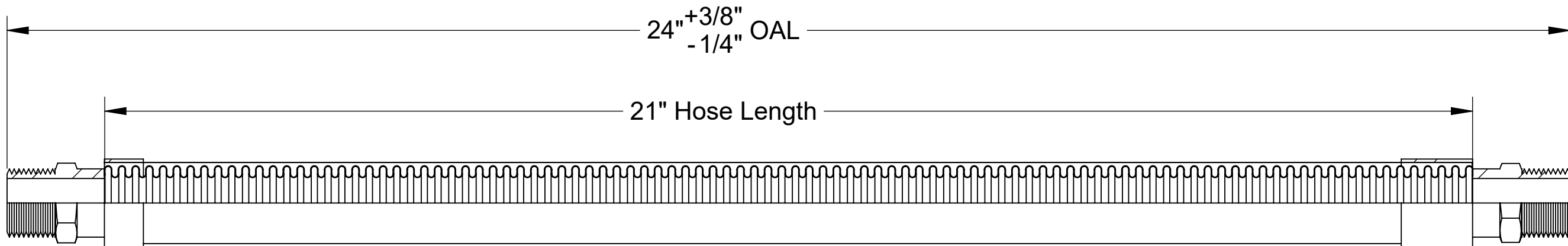


ITEM #	QTY.	PART NUMBER	DESCRIPTION	MATERIAL	WEIGHT
1	1	HOSE	300 Series Stainless Corrugated Hose	Stainless Steel	0.29
2	1	BRAID	300 Series Stainless Steel	Stainless Steel	0.03
3	1	BRAID COLLAR	0.05" Thick	Stainless Steel	0.03
4	1	COLLAR 2	0.05" Thick	Stainless Steel	0.06
5	2	0.75" MALE	0.75" Male, 3/4"x14" Thread, 1.06" Hex	Stainless Steel	0.16

	HOSE MASTER Inc. 1233 East 222nd Street • Cleveland, Ohio 44117 (800) 221-2319 • Fax: (216) 481-7557 • www.hosemaster.com Locations: Cleveland • Houston		Registered to: ISO 9001 : 2000 
	Projection: 	Customer: Hose Master Inc.	Prepared By: korteh
	Reference: Fire-Shield - 0.75" Male x 0.75" Male x 18" OAL	CALC. WEIGHT: 1 lbs.	Date: 9/6/2023
	Description: 0.75" ID x 18" OAL 300 Series Stainless Corrugated Hose covered by 300 Series Stainless Braid. UL Approved 0.75" Male Connectors		
	Drawing #:	FSMM0075x18	Rev.: SHEET 1 OF 1



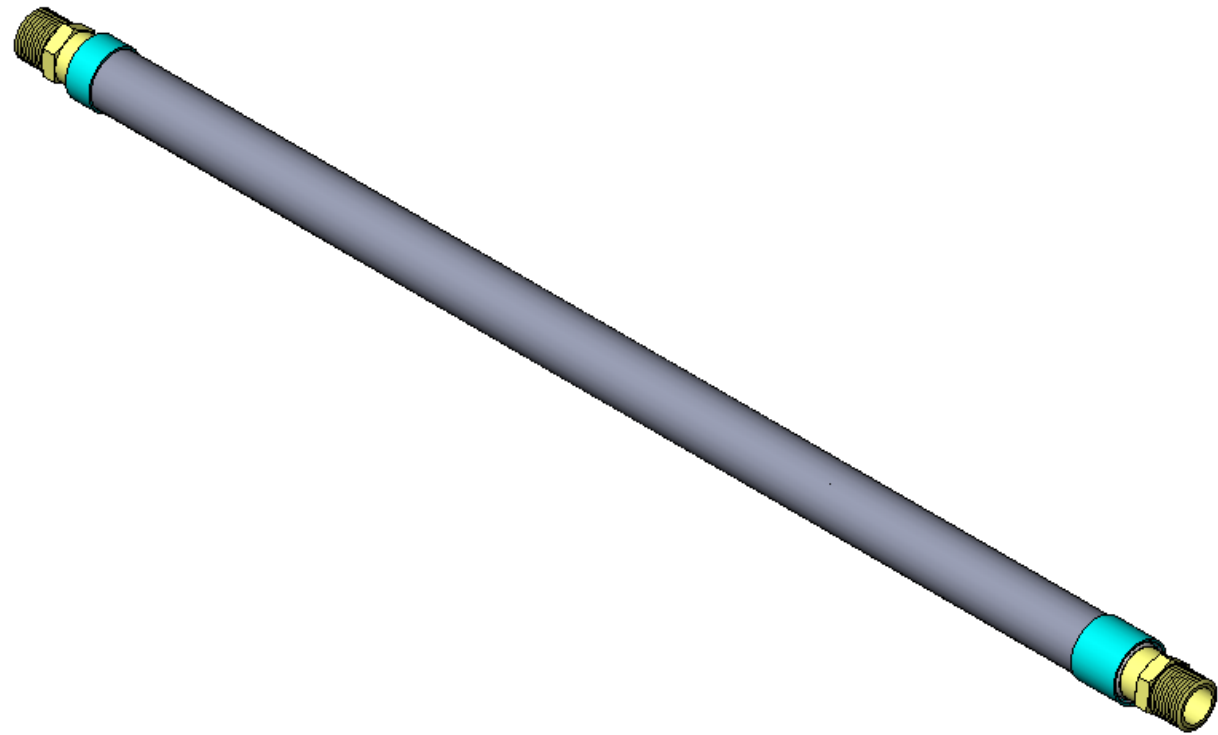
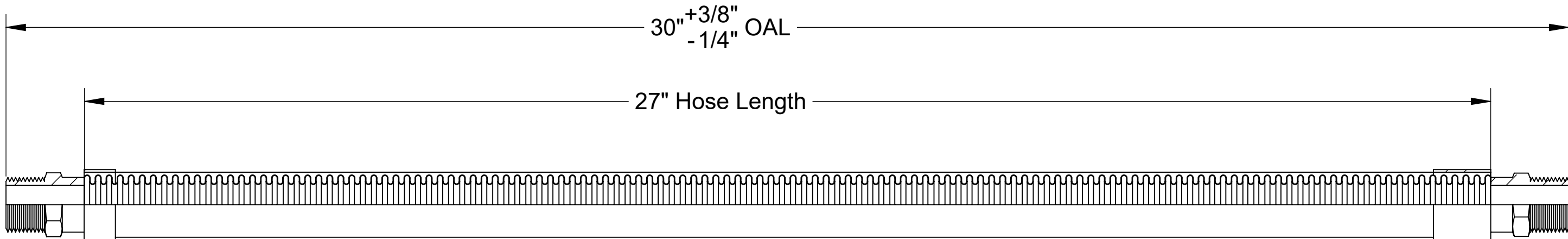
REVISIONS			
REV.	DESCRIPTION	DATE	APPROVED
-		9/6/2023	



ITEM #	QTY.	PART NUMBER	DESCRIPTION	MATERIAL	WEIGHT
1	1	HOSE	300 Series Stainless Corrugated Hose	Stainless Steel	0.40
2	1	BRAID	300 Series Stainless Steel	Stainless Steel	0.05
3	1	BRAID COLLAR	0.05" Thick	Stainless Steel	0.03
4	1	COLLAR 2	0.05" Thick	Stainless Steel	0.06
5	2	0.75" MALE	0.75" Male, 3/4"x14" Thread, 1.06" Hex	Stainless Steel	0.16

		HOSE MASTER Inc. 1233 East 222nd Street • Cleveland, Ohio 44117 (800) 221-2319 • Fax: (216) 481-7557 • www.hosemaster.com Locations: Cleveland • Houston		Registered to: ISO 9001 : 2000 
		Projection: 	Customer: Hose Master Inc.	Prepared By: korteh
Reference: Fire-Shield - 0.75" Male x 0.75" Male x 24" OAL		CALC. WEIGHT: 1 lbs.	Date: 9/6/2023	
Description: 0.75" ID x 24" OAL 300 Series Stainless Corrugated Hose covered by 300 Series Stainless Braid. UL Approved 0.75" Male Connectors				
Drawing #: FSMM0075x24		Rev.:	SHEET 1 OF 1	

REVISIONS			
REV.	DESCRIPTION	DATE	APPROVED
-		9/6/2023	



ITEM #	QTY.	PART NUMBER	DESCRIPTION	MATERIAL	WEIGHT
1	1	HOSE	300 Series Stainless Corrugated Hose	Stainless Steel	0.51
2	1	BRAID	300 Series Stainless Steel	Stainless Steel	0.06
3	1	BRAID COLLAR	0.05" Thick	Stainless Steel	0.03
4	1	COLLAR 2	0.05" Thick	Stainless Steel	0.06
5	2	0.75" MALE	0.75" Male, 3/4"x14" Thread, 1.06" Hex	Stainless Steel	0.16




HOSE MASTER Inc.

1233 East 222nd Street • Cleveland, Ohio 44117
 (800) 221-2319 • Fax: (216) 481-7557 • www.hosemaster.com
 Locations: **Cleveland • Houston**

Registered to:
ISO 9001 : 2000



NAHAD
Metal Hose
Listed Manufacturer

Projection:	Customer: Hose Master Inc.	Prepared By: korteh
	Reference: Fire-Shield - 0.75" Male x 0.75" Male x 30" OAL	CALC. WEIGHT: 1 lbs. Date: 9/6/2023
Description:	0.75" ID x 30" OAL 300 Series Stainless Corrugated Hose covered by 300 Series Stainless Braid. UL Approved 0.75" Male Connectors	
Drawing #:	FSMM0075x30	Rev.: SHEET 1 OF 1

