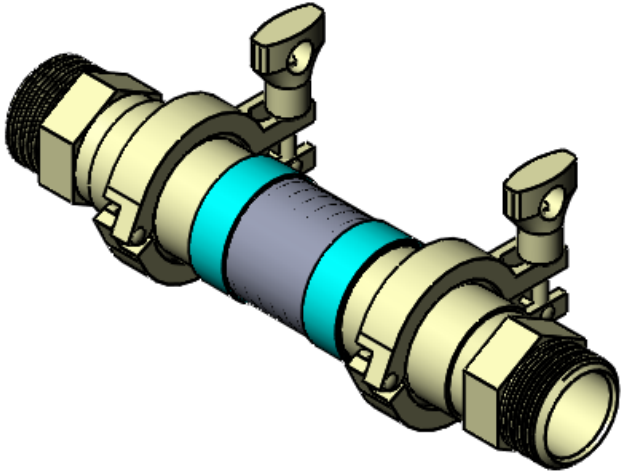
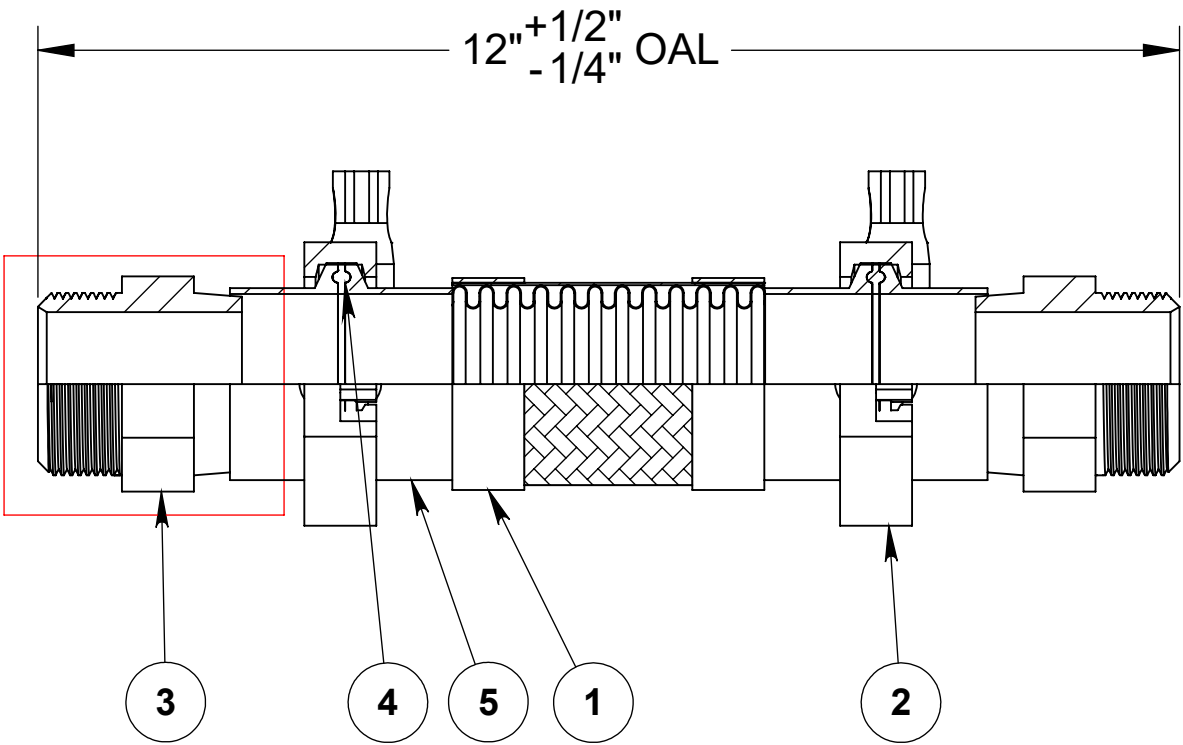


REVISIONS			
REV.	DESCRIPTION	DATE	APPROVED
-		12/6/2023	



Hex male adapter shown represents only one of the various end fittings available. Please refer to catalog for other options.



NOTE: UL & cULus APPROVED CONNECTORS

----- COMPONENTS LIST -----

ITEM #	QTY.	DESCRIPTION	MATERIAL
1	1	1-1/2" AF4750	300 Series Stainless
2	2	2" Quick Clamp Kit	304
3	2	1-1/2" Hex Male Adapter	304
4	2	2" QuickClamp Seal	Viton
5	2	2" Sanitary Flange	304



HOSE MASTER

1233 East 222nd Street • Cleveland, Ohio 44117
 (800) 221-2319 • Fax: (216) 481-7557 • www.hosemaster.com
 Cleveland • Houston • Atlanta • Reno

ISO 9001
Registered Quality System



DESCRIPTION:
1-1/2" FIRESHIELD QUICKCLAMP ASSEMBLY

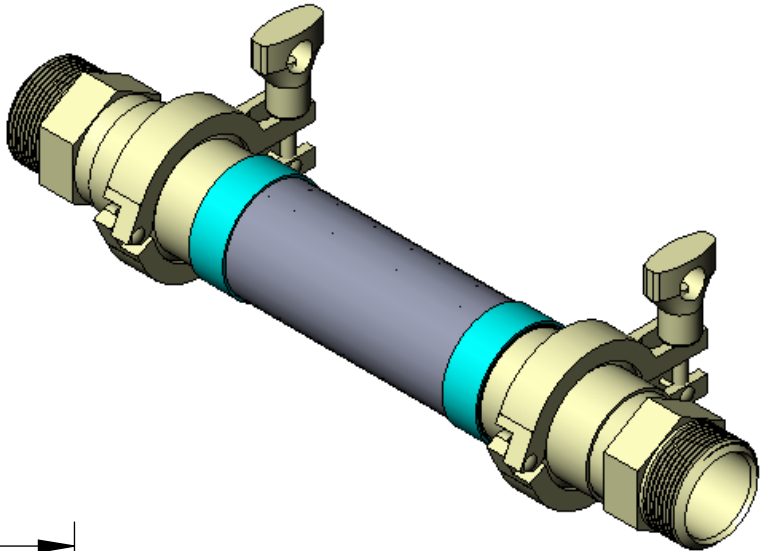
DRAWING #
FSQQ0150x12

DATE: 12/6/2023

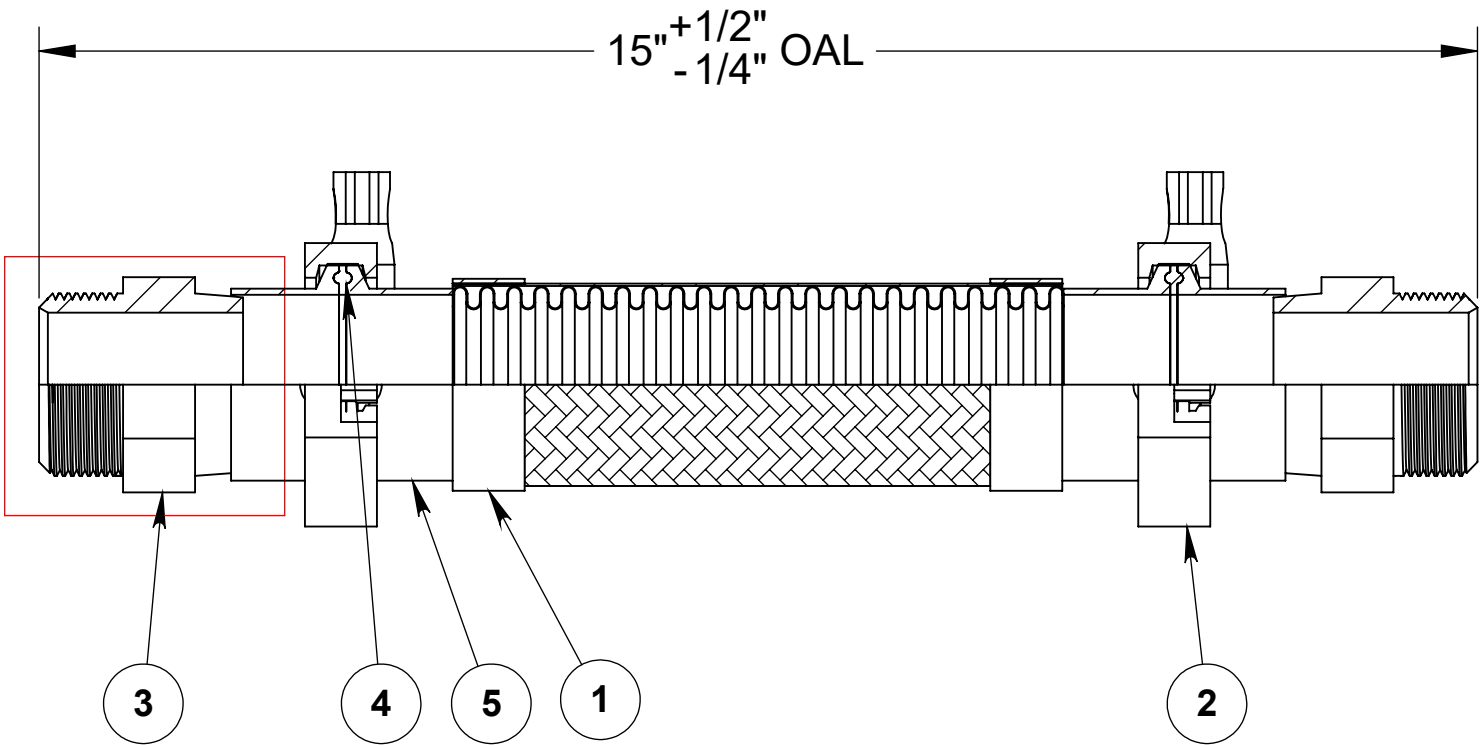
PROJECTION:

REV. - SHEET 1 OF 1

REVISIONS			
REV.	DESCRIPTION	DATE	APPROVED
-		12/6/2023	



Hex male adapter shown represents only one of the various end fittings available. Please refer to catalog for other options.



NOTE: UL & cULus APPROVED CONNECTORS

----- COMPONENTS LIST -----

ITEM #	QTY.	DESCRIPTION	MATERIAL
1	1	1-1/2" AF4750	300 Series Stainless
2	2	2" Quick Clamp Kit	304
3	2	1-1/2" Hex Male Adapter	304
4	2	2" QuickClamp Seal	Viton
5	2	2" Sanitary Flange	304



HOSE MASTER

1233 East 222nd Street • Cleveland, Ohio 44117
 (800) 221-2319 • Fax: (216) 481-7557 • www.hosemaster.com
 Cleveland • Houston • Atlanta • Reno

ISO 9001
Registered Quality System



DESCRIPTION:
1-1/2" FIRESHIELD QUICKCLAMP ASSEMBLY

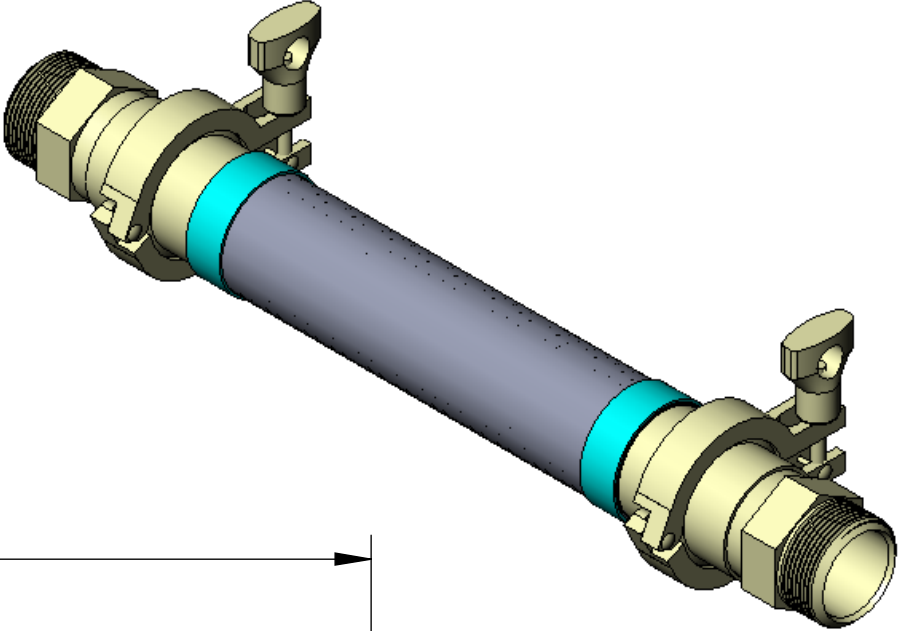
DRAWING #
FSQQ0150x15

DATE: 12/6/2023

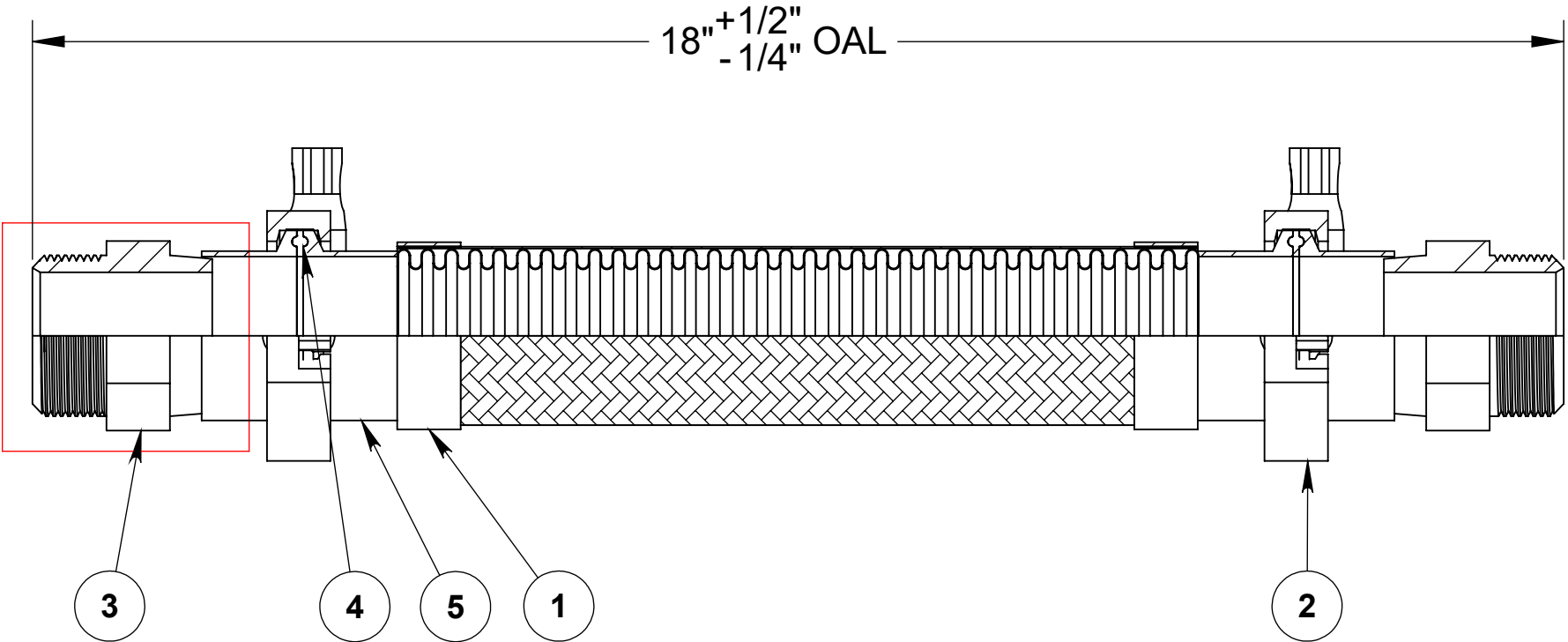
PROJECTION:

REV.
-.01 SHEET 1 OF 1

REVISIONS			
REV.	DESCRIPTION	DATE	APPROVED
-		12/6/2023	



Hex male adapter shown represents only one of the various end fittings available. Please refer to catalog for other options.



NOTE: UL & cULus APPROVED CONNECTORS

----- COMPONENTS LIST -----

ITEM #	QTY.	DESCRIPTION	MATERIAL
1	1	1-1/2" AF4750	300 Series Stainless
2	2	2" Quick Clamp Kit	304
3	2	1-1/2" Hex Male Adapter	304
4	2	2" QuickClamp Seal	Viton
5	2	2" Sanitary Flange	304



HOSE MASTER

1233 East 222nd Street • Cleveland, Ohio 44117
 (800) 221-2319 • Fax: (216) 481-7557 • www.hosemaster.com
 Cleveland • Houston • Atlanta • Reno

ISO 9001
 Registered Quality System



DESCRIPTION:
1-1/2" FIRESHIELD QUICKCLAMP ASSEMBLY

DRAWING #
FSQQ0150x18

DATE: 12/6/2023

PROJECTION:

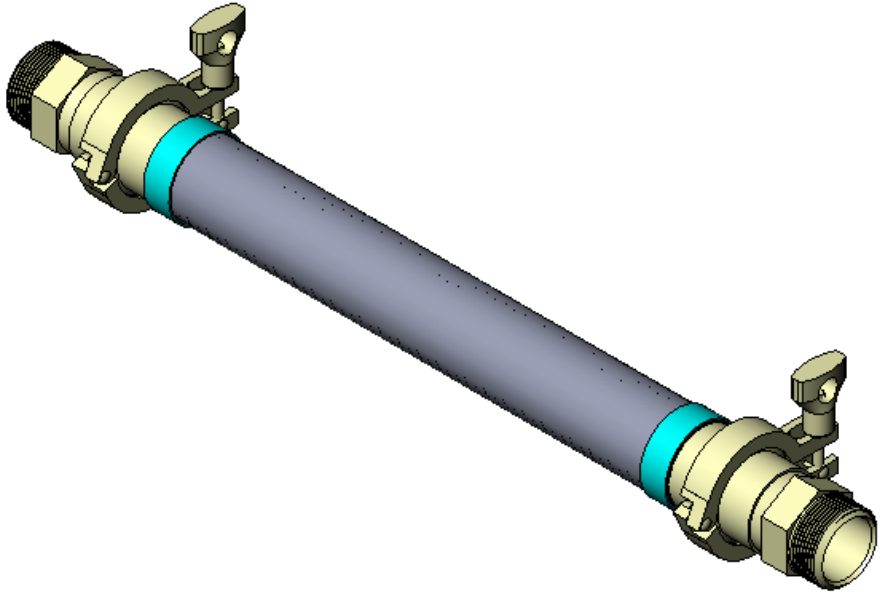


REV.

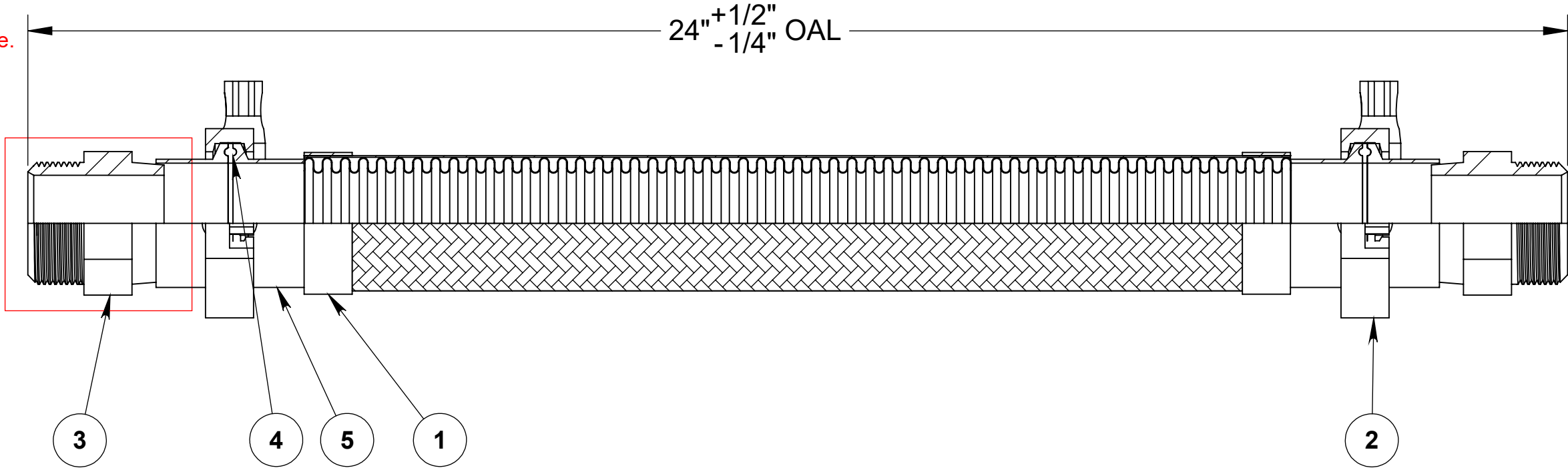
-.01

SHEET
 1 OF 1

REVISIONS			
REV.	DESCRIPTION	DATE	APPROVED
-		12/6/2023	



Hex male adapter shown represents only one of the various end fittings available. Please refer to catalog for other options.



NOTE: UL & cULus APPROVED CONNECTORS

----- COMPONENTS LIST -----

ITEM #	QTY.	DESCRIPTION	MATERIAL
1	1	1-1/2" AF4750	300 Series Stainless
2	2	2" Quick Clamp Kit	304
3	2	1-1/2" Hex Male Adapter	304
4	2	2" QuickClamp Seal	Viton
5	2	2" Sanitary Flange	304



HOSE MASTER

1233 East 222nd Street • Cleveland, Ohio 44117
 (800) 221-2319 • Fax: (216) 481-7557 • www.hosemaster.com
 Cleveland • Houston • Atlanta • Reno

ISO 9001
Registered Quality System



DESCRIPTION:
1-1/2" FIRESHIELD QUICKCLAMP ASSEMBLY

DRAWING #
FSQQ0150x24

DATE: 12/6/2023

PROJECTION:



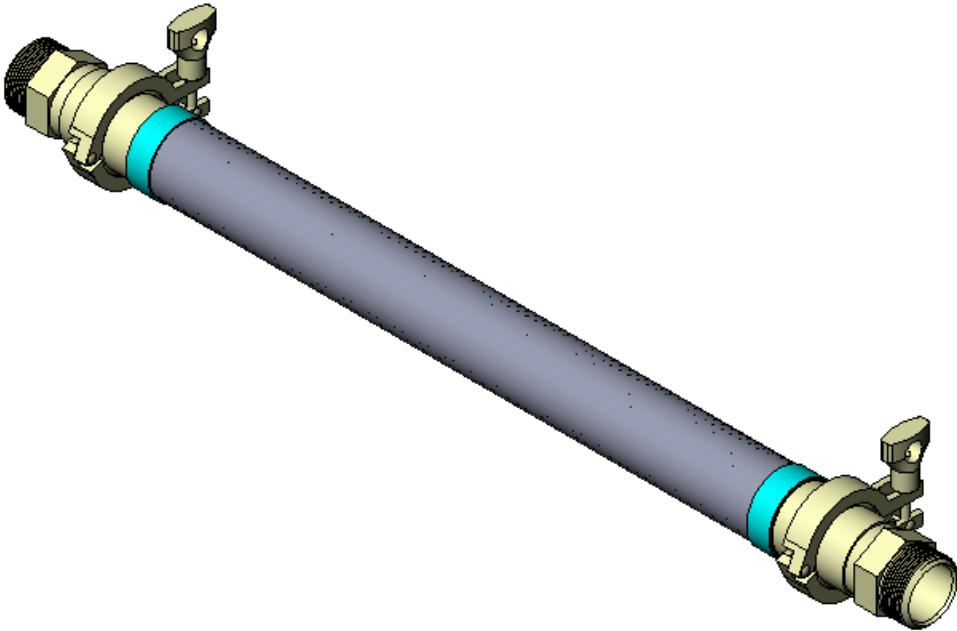
REV.

-.01

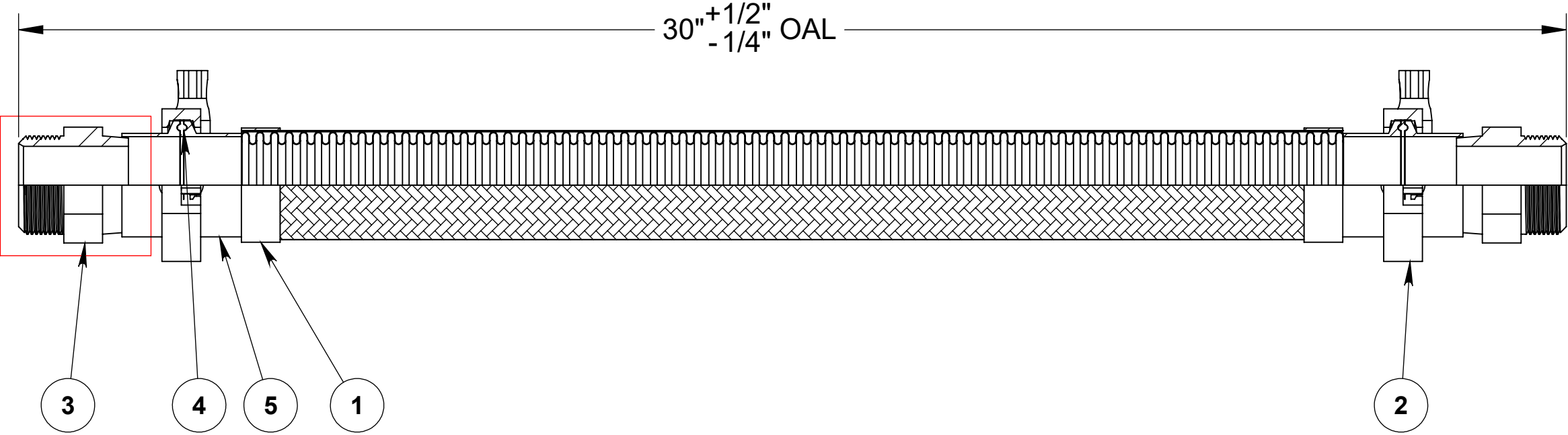
SHEET
1 OF 1

8 7 6 5 4 3 2 1

REVISIONS			
REV.	DESCRIPTION	DATE	APPROVED
-		12/6/2023	






Hex male adapter shown represents only one of the various end fittings available. Please refer to catalog for other options.



NOTE: UL & cULus APPROVED CONNECTORS

----- COMPONENTS LIST -----

ITEM #	QTY.	DESCRIPTION	MATERIAL
1	1	1-1/2" AF4750	300 Series Stainless
2	2	2" Quick Clamp Kit	304
3	2	1-1/2" Hex Male Adapter	304
4	2	2" QuickClamp Seal	Viton
5	2	2" Sanitary Flange	304

	HOSE MASTER 1233 East 222nd Street • Cleveland, Ohio 44117 (800) 221-2319 • Fax: (216) 481-7557 • www.hosemaster.com Cleveland • Houston • Atlanta • Reno	ISO 9001 Registered Quality System 
	DESCRIPTION: 1-1/2" FIRESHIELD QUICKCLAMP ASSEMBLY	DATE: 12/6/2023 PROJECTION: 
DRAWING # FSQQ0150x30	REV. -.01	SHEET 1 OF 1

8 7 6 5 4 3 2 1