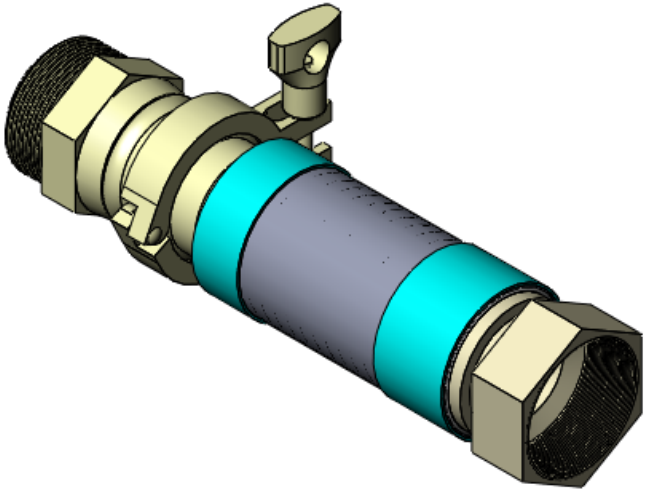
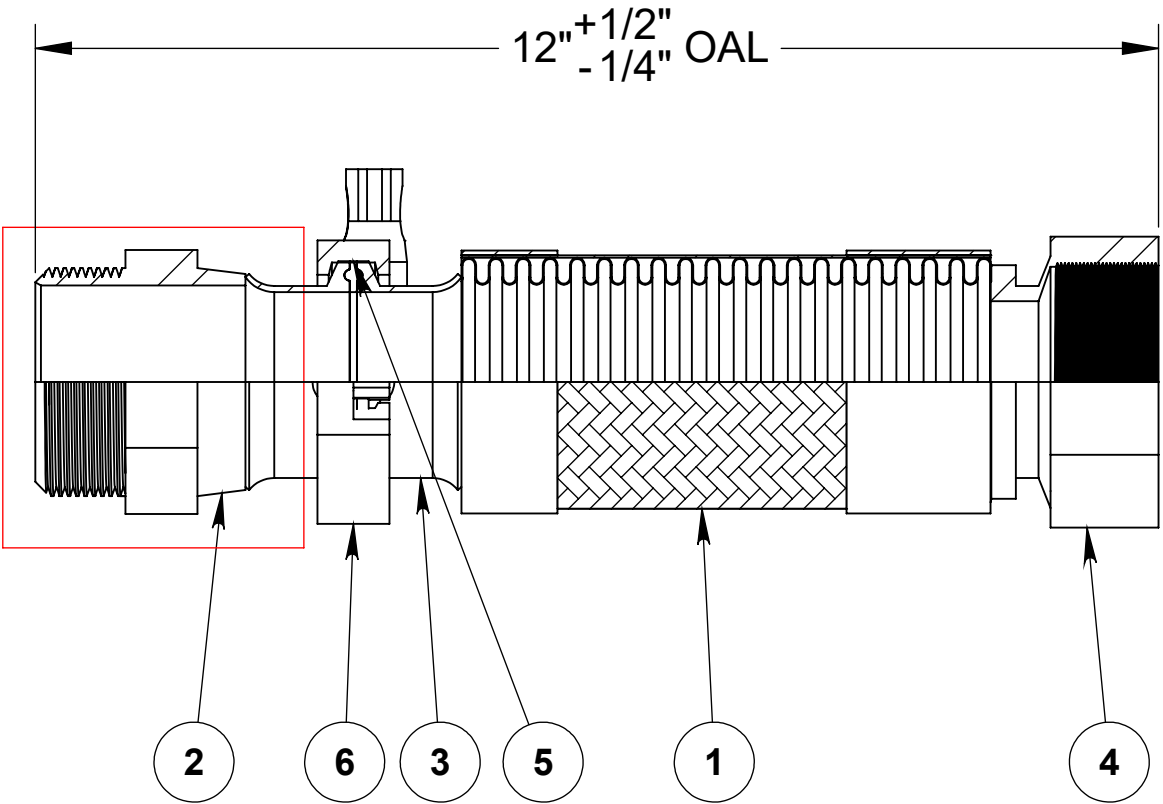


REVISIONS			
REV.	DESCRIPTION	DATE	APPROVED
-		12/1/2023	



Hex male adapter shown represents only one of the various end fittings available. Please refer to the catalog for other options.



NOTE: UL & cULus APPROVED CONNECTORS

----- COMPONENTS LIST -----

ITEM #	QTY.	DESCRIPTION	MATERIAL
1	1	2" AF4750	300 Series Stainless
2	1	2" Hex Male Adapter	304
3	1	2" Sanitary Flange	304
4	1	2" Hex Female	304
5	1	2" QuickClamp Seal	Viton
6	1	2" Quick Clamp Kit	304



HOSE MASTER

1233 East 222nd Street • Cleveland, Ohio 44117
 (800) 221-2319 • Fax: (216) 481-7557 • www.hosemaster.com
 Cleveland • Houston • Atlanta • Reno

ISO 9001
Registered Quality System



DESCRIPTION:

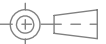
2"x12" OAL FIRESHIELD QUICKCLAMP ASSEMBLY

DRAWING #

FSQF0200x12

DATE: 12/4/2023

PROJECTION:

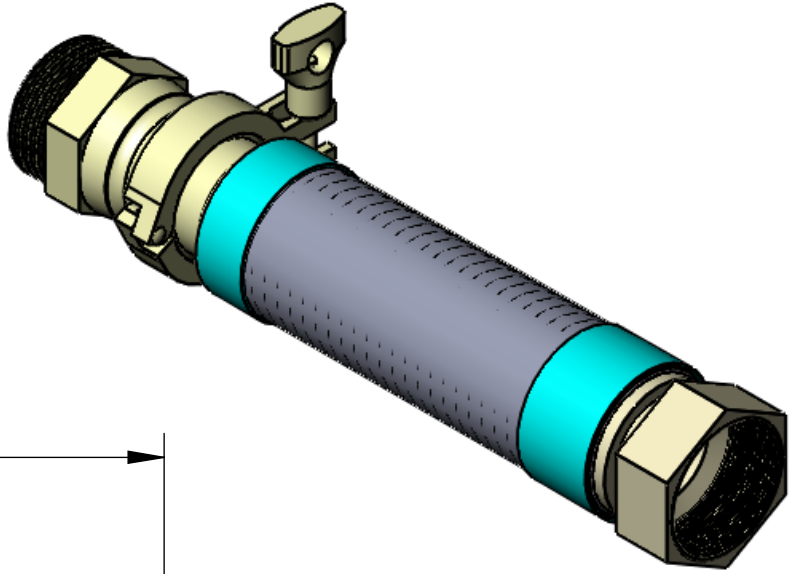


REV.

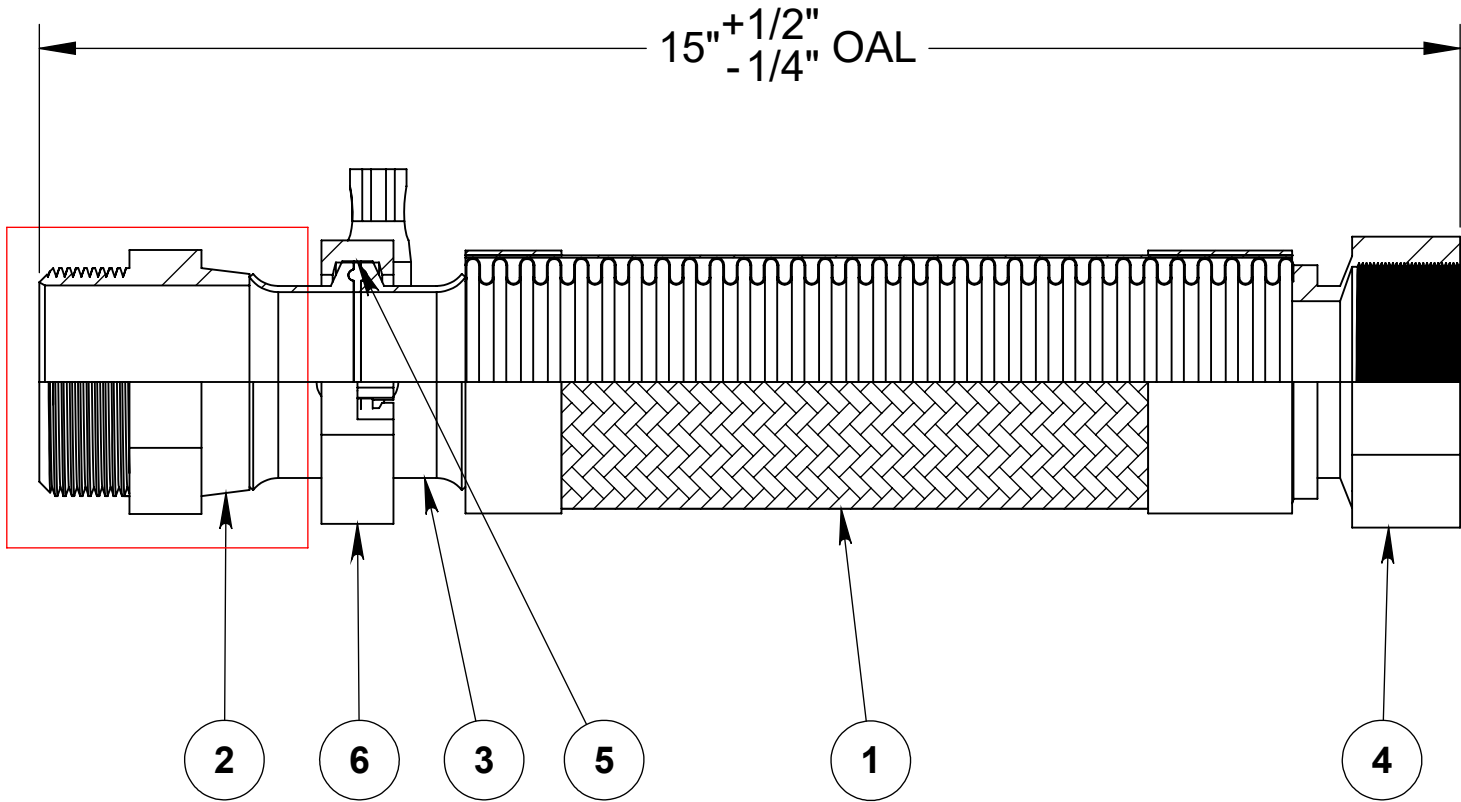
-

SHEET
1 OF 1

REVISIONS			
REV.	DESCRIPTION	DATE	APPROVED
-		12/1/2023	



Hex male adapter shown represents only one of the various end fittings available. Please refer to the catalog for other options.



NOTE: UL & cULus APPROVED CONNECTORS

----- COMPONENTS LIST -----

ITEM #	QTY.	DESCRIPTION	MATERIAL
1	1	2" AF4750	300 Series Stainless
2	1	2" Hex Male Adapter	304
3	1	2" Sanitary Flange	304
4	1	2" Hex Female	304
5	1	2" QuickClamp Seal	Viton
6	1	2" Quick Clamp Kit	304



HOSE MASTER

1233 East 222nd Street • Cleveland, Ohio 44117
 (800) 221-2319 • Fax: (216) 481-7557 • www.hosemaster.com
 Cleveland • Houston • Atlanta • Reno

ISO 9001
 Registered Quality System



DESCRIPTION:

2"x15" OAL FIRESHIELD QUICKCLAMP ASSEMBLY

DRAWING #

FSQF0200x15

DATE: 12/4/2023

PROJECTION:

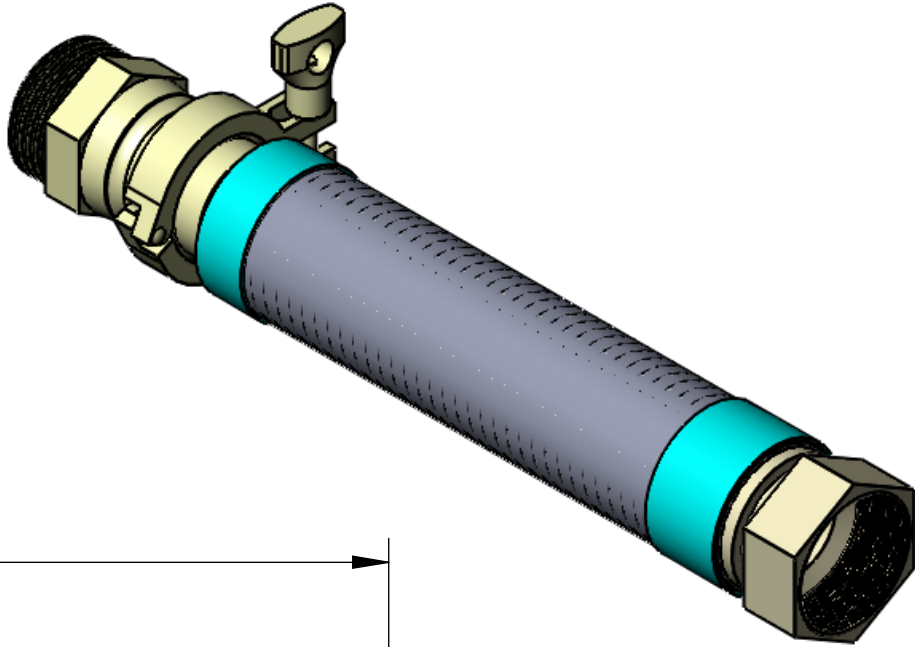


REV.

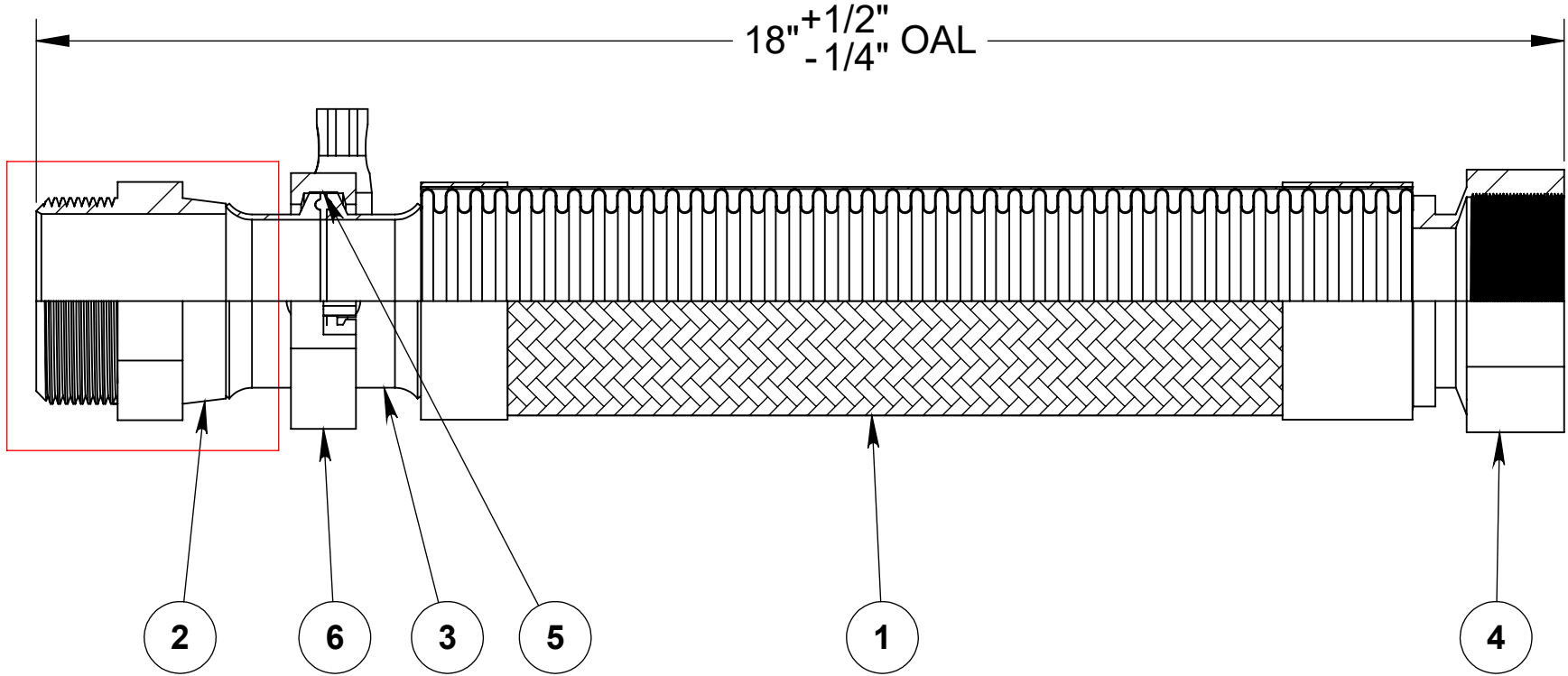
-

SHEET
 1 OF 1

REVISIONS			
REV.	DESCRIPTION	DATE	APPROVED
-		12/1/2023	



Hex male adapter shown represents only one of the various end fittings available. Please refer to the catalog for other options.



NOTE: UL & cULus APPROVED CONNECTORS

----- COMPONENTS LIST -----

ITEM #	QTY.	DESCRIPTION	MATERIAL
1	1	2" AF4750	300 Series Stainless
2	1	2" Hex Male Adapter	304
3	1	2" Sanitary Flange	304
4	1	2" Hex Female	304
5	1	2" QuickClamp Seal	Viton
6	1	2" Quick Clamp Kit	304



HOSE MASTER

1233 East 222nd Street • Cleveland, Ohio 44117
 (800) 221-2319 • Fax: (216) 481-7557 • www.hosemaster.com
 Cleveland • Houston • Atlanta • Reno

ISO 9001
Registered Quality System



DESCRIPTION:

2"x18" OAL FIRESHIELD QUICKCLAMP ASSEMBLY

DRAWING #

FSQF0200x18

DATE: 12/4/2023

PROJECTION:

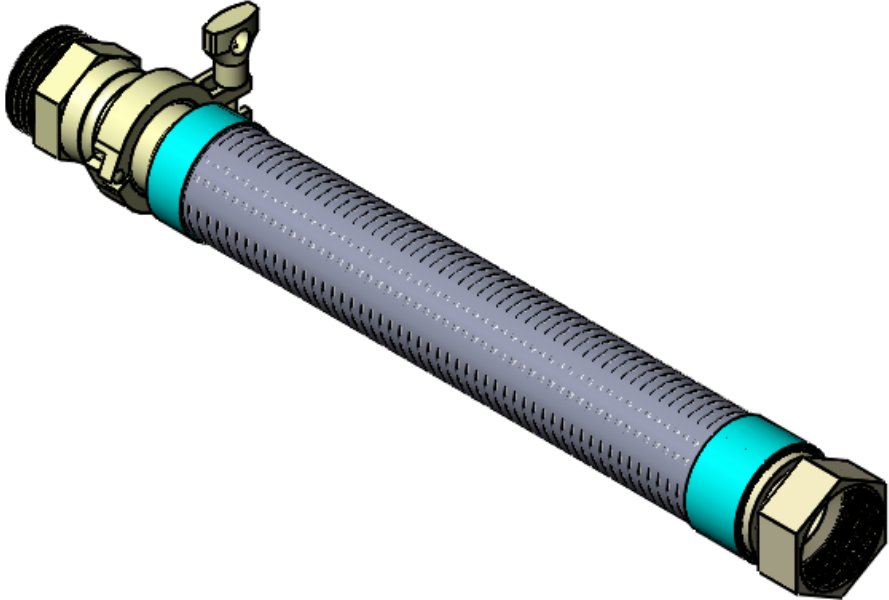


REV.

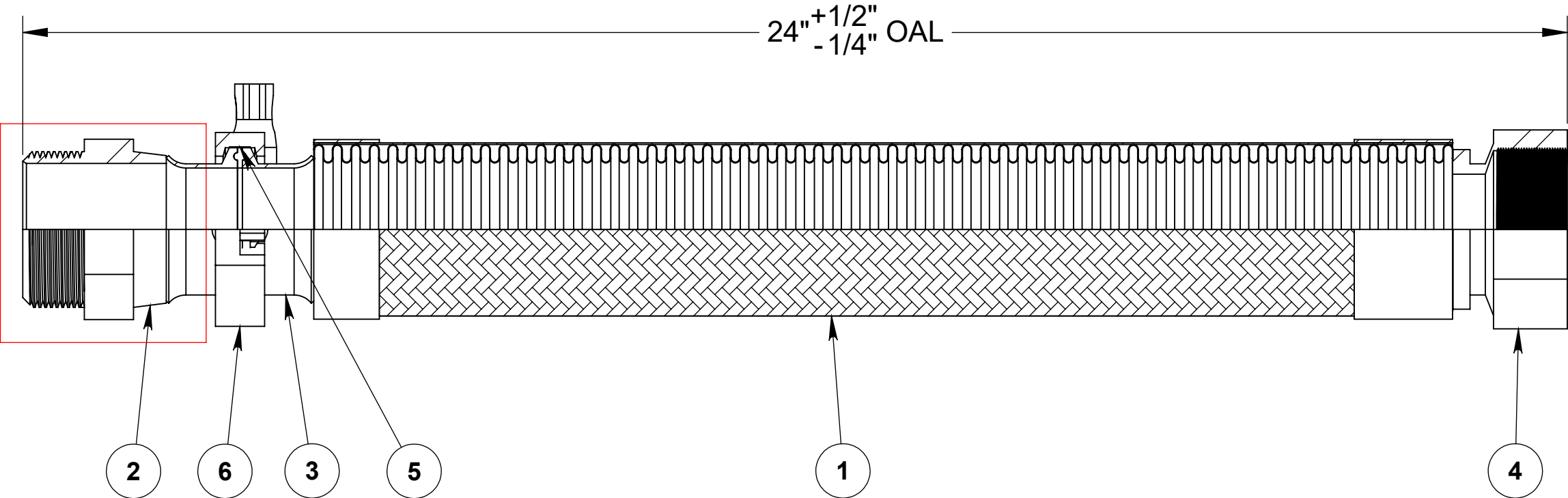
-

SHEET 1 OF 1

REVISIONS			
REV.	DESCRIPTION	DATE	APPROVED
-		12/1/2023	



Hex male adapter shown represents only one of the various end fittings available. Please refer to the catalog for other options.



NOTE: UL & cULus APPROVED CONNECTORS

----- COMPONENTS LIST -----

ITEM #	QTY.	DESCRIPTION	MATERIAL
1	1	2" AF4750	300 Series Stainless
2	1	2" Hex Male Adapter	304
3	1	2" Sanitary Flange	304
4	1	2" Hex Female	304
5	1	2" QuickClamp Seal	Viton
6	1	2" Quick Clamp Kit	304



HOSE MASTER

1233 East 222nd Street • Cleveland, Ohio 44117
 (800) 221-2319 • Fax: (216) 481-7557 • www.hosemaster.com
 Cleveland • Houston • Atlanta • Reno

ISO 9001
Registered Quality System



DESCRIPTION:

2"x24" OAL FIRESHIELD QUICKCLAMP ASSEMBLY

DRAWING #

FSQF0200x24

DATE: 12/4/2023

PROJECTION:

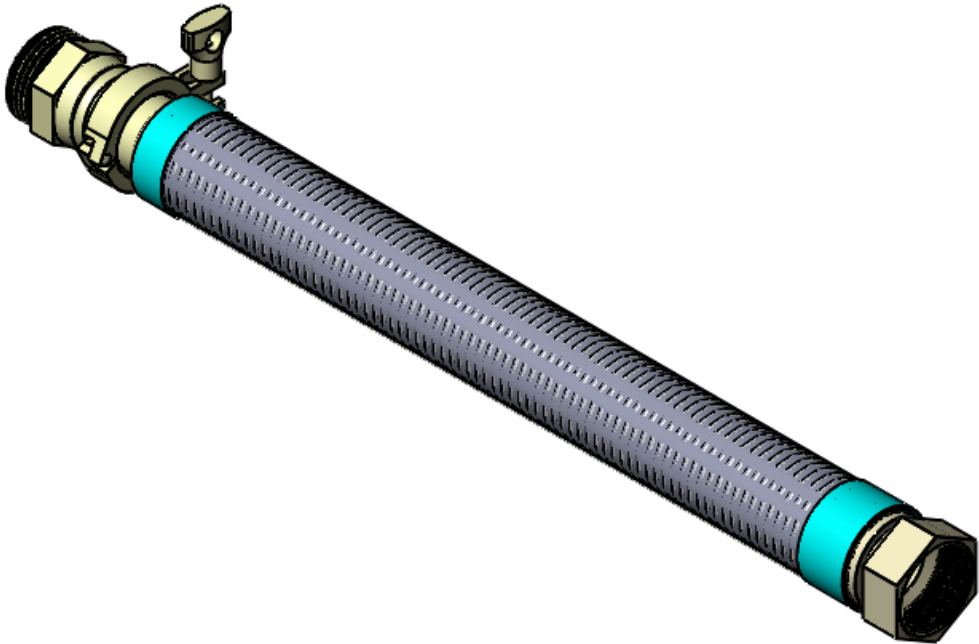


REV.

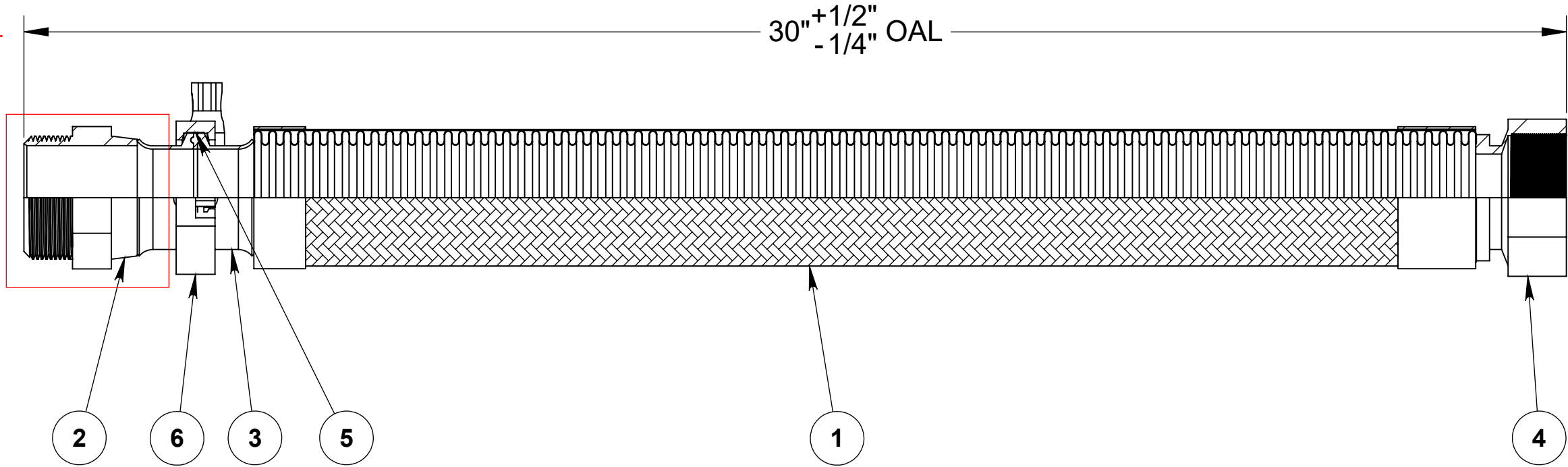
-

SHEET
1 OF 1

REVISIONS			
REV.	DESCRIPTION	DATE	APPROVED
-		12/1/2023	



Hex male adapter shown represents only one of the various end fittings available. Please refer to the catalog for other options.



NOTE: UL & cULus APPROVED CONNECTORS

----- COMPONENTS LIST -----

ITEM #	QTY.	DESCRIPTION	MATERIAL
1	1	2" AF4750	300 Series Stainless
2	1	2" Hex Male Adapter	304
3	1	2" Sanitary Flange	304
4	1	2" Hex Female	304
5	1	2" QuickClamp Seal	Viton
6	1	2" Quick Clamp Kit	304



HOSE MASTER

1233 East 222nd Street • Cleveland, Ohio 44117
 (800) 221-2319 • Fax: (216) 481-7557 • www.hosemaster.com
 Cleveland • Houston • Atlanta • Reno

ISO 9001
Registered Quality System

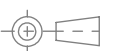


DESCRIPTION:
2"x30" OAL FIRESHIELD QUICKCLAMP ASSEMBLY

DRAWING #
FSQF0200x30

DATE: 12/4/2023

PROJECTION:



REV. -
 SHEET 1 OF 1