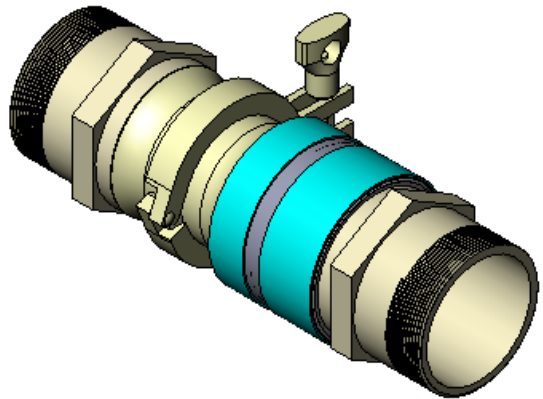
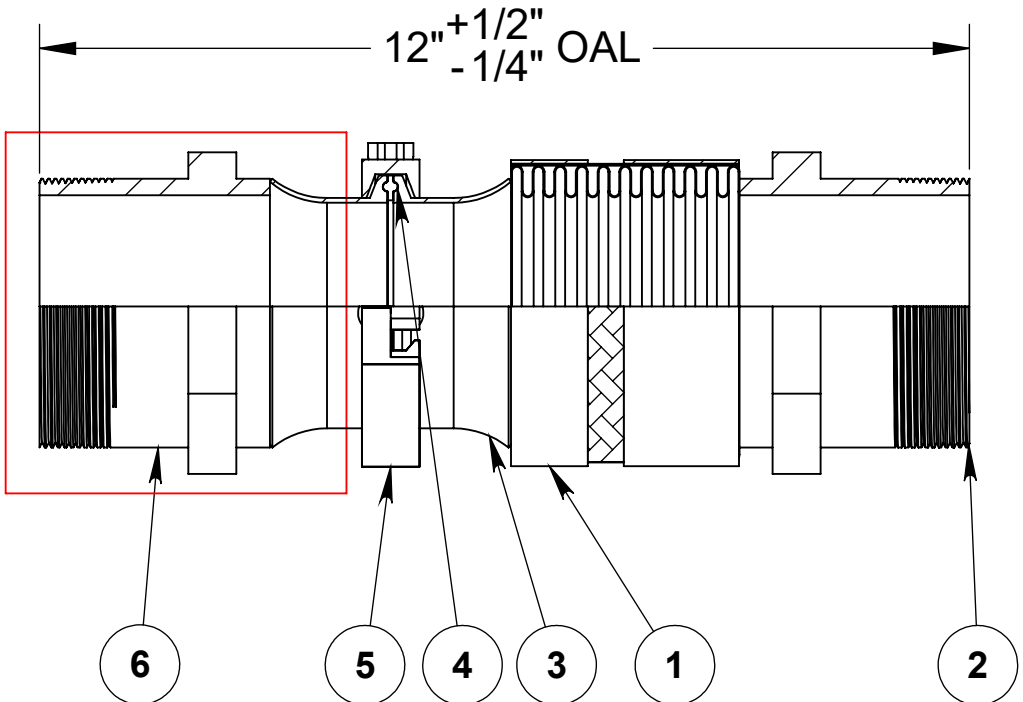


REVISIONS			
REV.	DESCRIPTION	DATE	APPROVED
-		11/30/2023	



Hex male adapter shown represents only one of the various end fittings available. Please refer to the catalog for other options.



NOTE: UL & cULus APPROVED CONNECTORS

----- COMPONENTS LIST -----

ITEM #	QTY.	DESCRIPTION	MATERIAL
1	1	3" AF4750	300 Series Stainless
2	1	3" Hex Male	304
3	1	3" Sanitary Flange	304
4	1	3" QuickClamp Seal	Viton
5	1	3" Quick Clamp	304
6	1	3" Hex Male Adapter	304



HOSE MASTER

1233 East 222nd Street • Cleveland, Ohio 44117
 (800) 221-2319 • Fax: (216) 481-7557 • www.hosemaster.com
 Cleveland • Houston • Atlanta • Reno

ISO 9001
Registered Quality System



DESCRIPTION:
3" x 12" OAL FIRESHIELD QUICKCLAMP ASSEMBLY

DRAWING #
FSQM0300x12

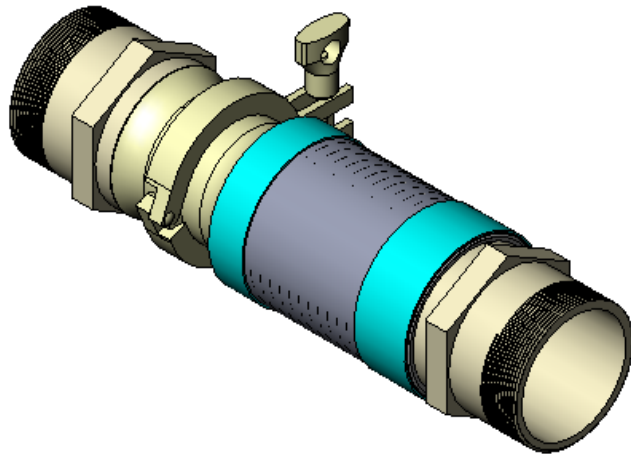
DATE: 11/30/2023

PROJECTION:

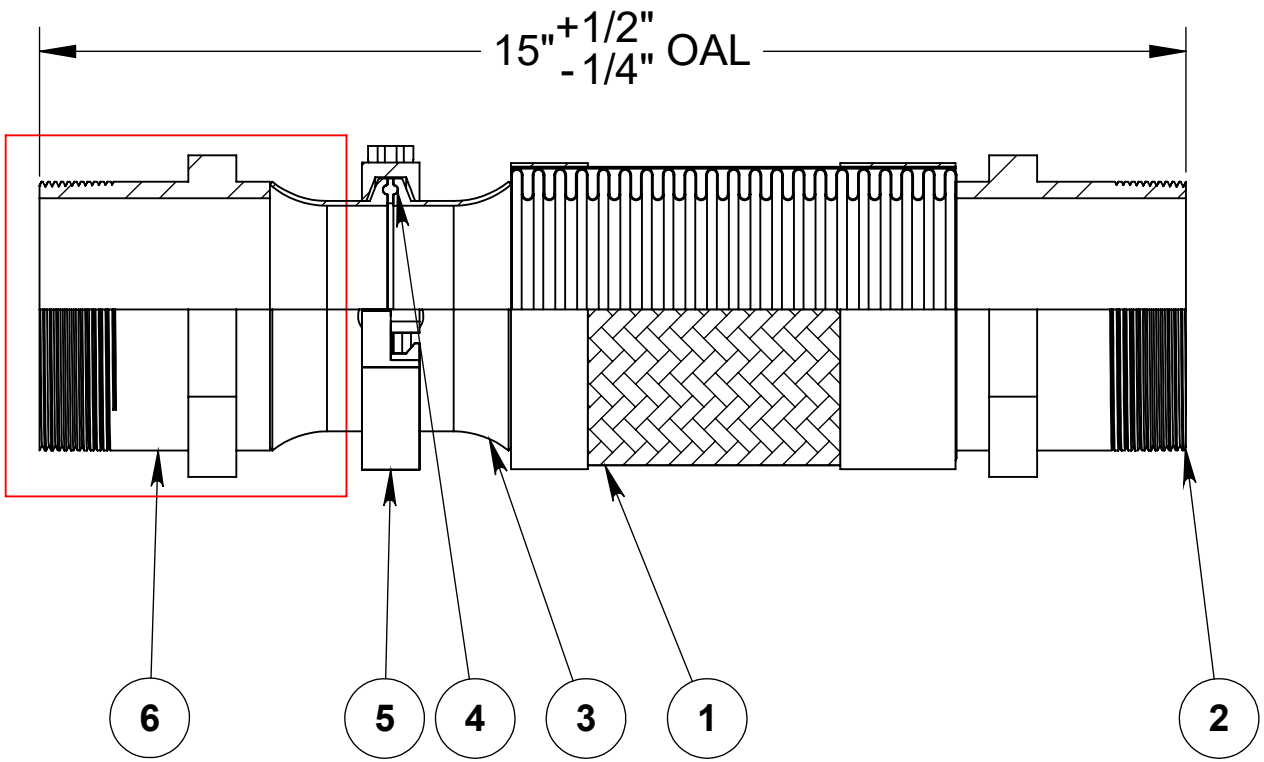


REV. **-.02** SHEET 1 OF 1

REVISIONS			
REV.	DESCRIPTION	DATE	APPROVED
-		11/30/2023	



Hex male adapter shown represents only one of the various end fittings available. Please refer to the catalog for other options.



NOTE: UL & cULus APPROVED CONNECTORS

----- COMPONENTS LIST -----

ITEM #	QTY.	DESCRIPTION	MATERIAL
1	1	3" AF4750	300 Series Stainless
2	1	3" Hex Male	304
3	1	3" Sanitary Flange	304
4	1	3" QuickClamp Seal	Viton
5	1	3" Quick Clamp	304
6	1	3" Hex Male Adapter	304




HOSE MASTER
 1233 East 222nd Street • Cleveland, Ohio 44117
 (800) 221-2319 • Fax: (216) 481-7557 • www.hosemaster.com
 Cleveland • Houston • Atlanta • Reno

ISO 9001
 Registered Quality System

 Listed Manufacturer

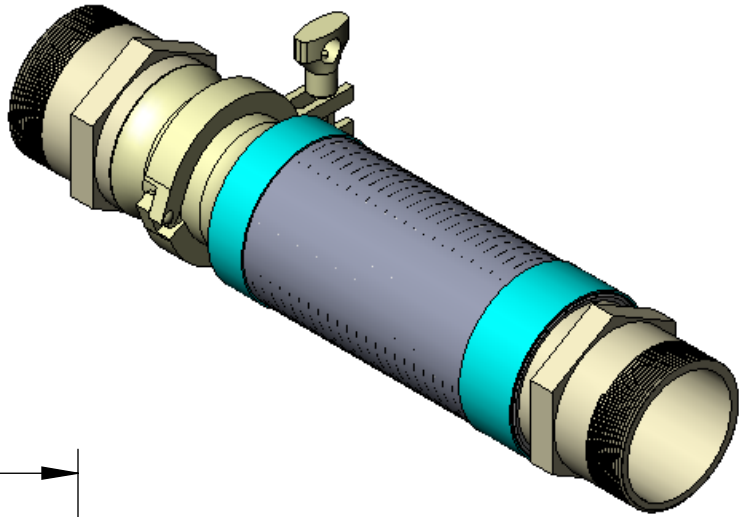
DESCRIPTION:
3" x 15" OAL FIRESHIELD QUICKCLAMP ASSEMBLY

DRAWING #
FSQM0300x15

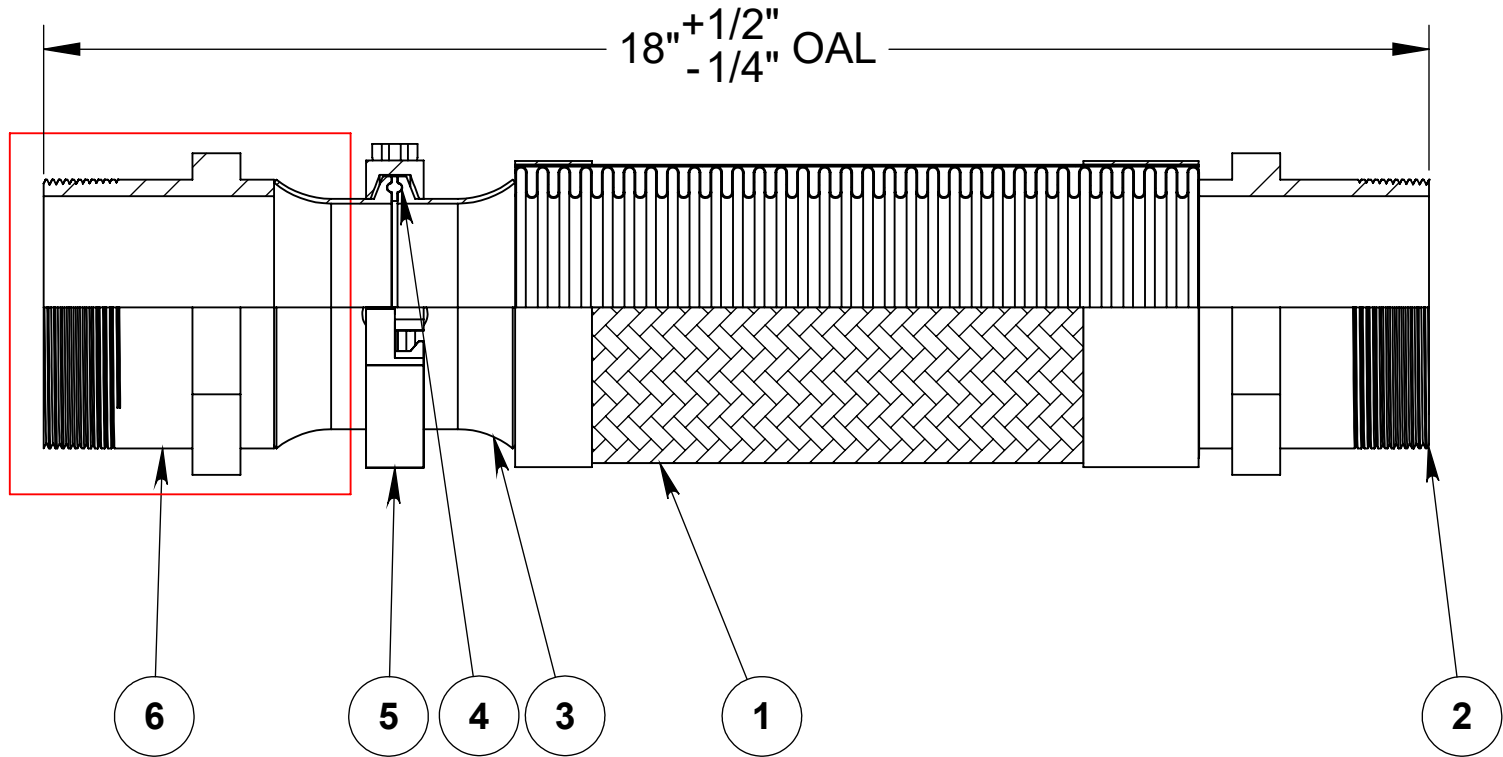
DATE: 11/30/2023
 PROJECTION:


REV. **-.02**
 SHEET 1 OF 1

REVISIONS			
REV.	DESCRIPTION	DATE	APPROVED
-		11/30/2023	



Hex male adapter shown represents only one of the various end fittings available. Please refer to the catalog for other options.



NOTE: UL & cULus APPROVED CONNECTORS

----- COMPONENTS LIST -----

ITEM #	QTY.	DESCRIPTION	MATERIAL
1	1	3" AF4750	300 Series Stainless
2	1	3" Hex Male	304
3	1	3" Sanitary Flange	304
4	1	3" QuickClamp Seal	Viton
5	1	3" Quick Clamp	304
6	1	3" Hex Male Adapter	304



HOSE MASTER

1233 East 222nd Street • Cleveland, Ohio 44117
 (800) 221-2319 • Fax: (216) 481-7557 • www.hosemaster.com
 Cleveland • Houston • Atlanta • Reno

ISO 9001
Registered Quality System



DATE: 11/30/2023

DESCRIPTION:
3" x 18" OAL FIRESHIELD QUICKCLAMP ASSEMBLY

PROJECTION:



DRAWING #

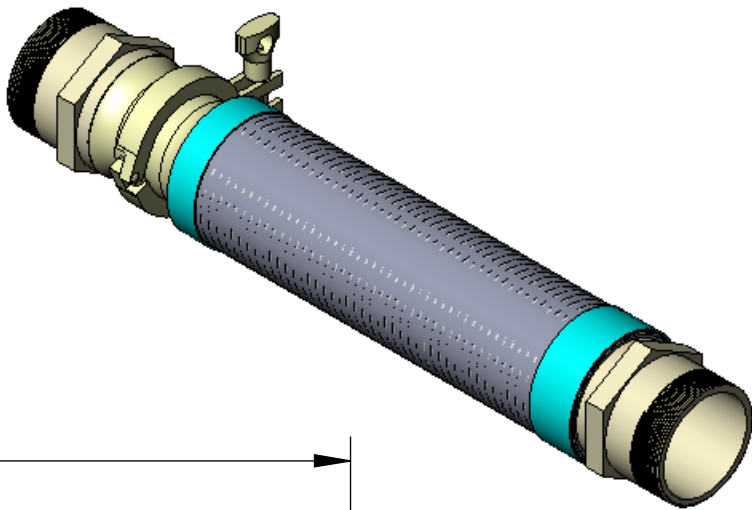
FSQM0300x18

REV.

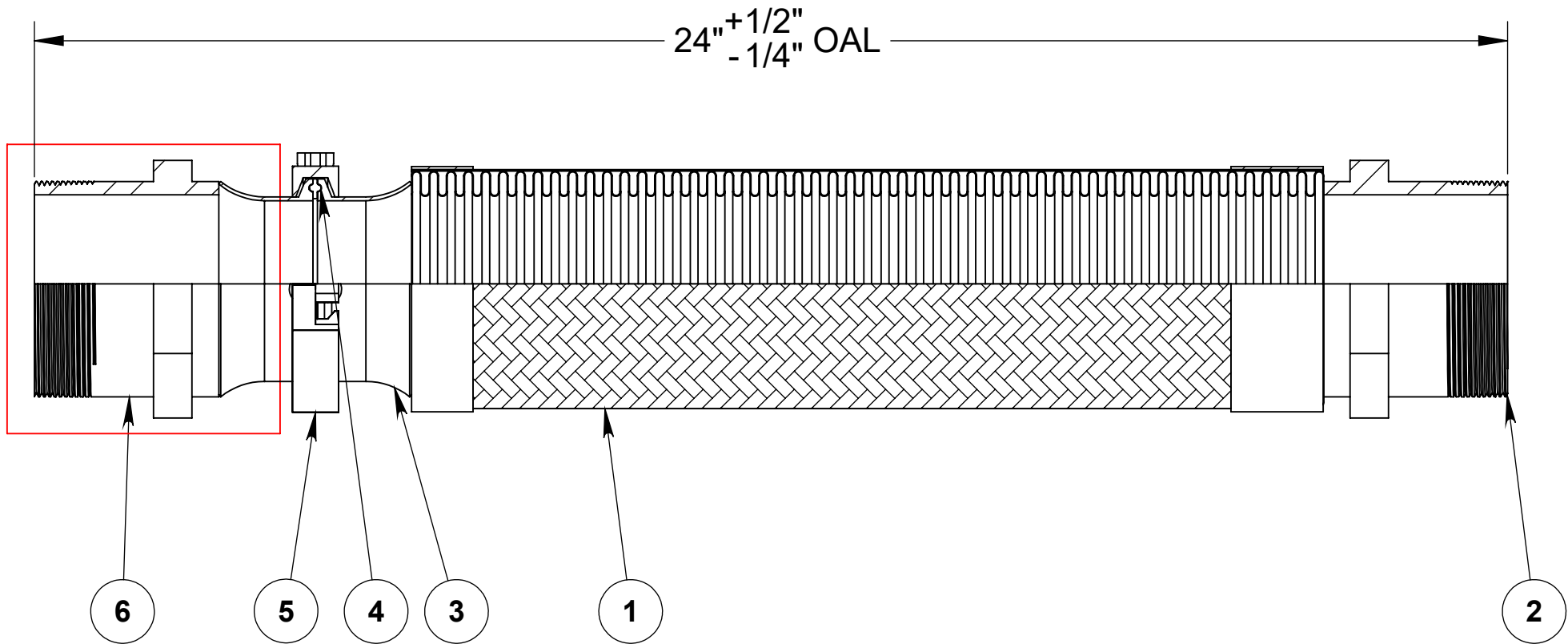
-.02

SHEET
1 OF 1

REVISIONS			
REV.	DESCRIPTION	DATE	APPROVED
-		11/30/2023	



Hex male adapter shown represents only one of the various end fittings available. Please refer to the catalog for other options.



NOTE: UL & cULus APPROVED CONNECTORS

----- COMPONENTS LIST -----

ITEM #	QTY.	DESCRIPTION	MATERIAL
1	1	3" AF4750	300 Series Stainless
2	1	3" Hex Male	304
3	1	3" Sanitary Flange	304
4	1	3" QuickClamp Seal	Viton
5	1	3" Quick Clamp	304
6	1	3" Hex Male Adapter	304



HOSE MASTER

1233 East 222nd Street • Cleveland, Ohio 44117
 (800) 221-2319 • Fax: (216) 481-7557 • www.hosemaster.com
 Cleveland • Houston • Atlanta • Reno

ISO 9001
Registered Quality System



DATE: 11/30/2023

DESCRIPTION:
3" x 24" OAL FIRESHIELD QUICKCLAMP ASSEMBLY

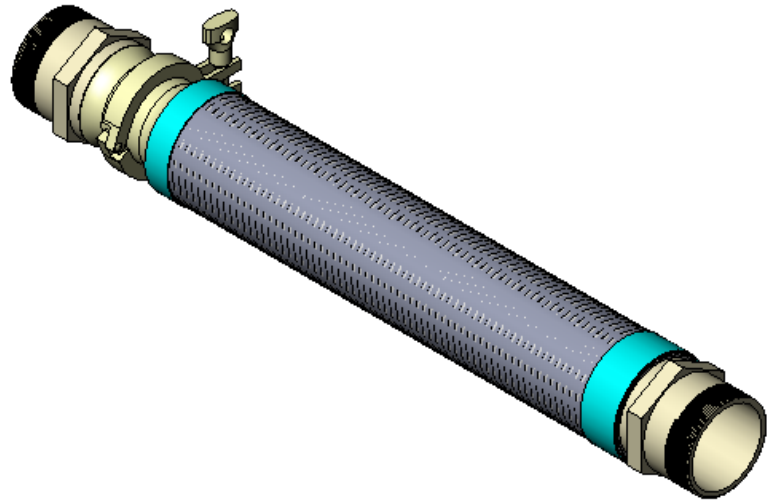
PROJECTION:



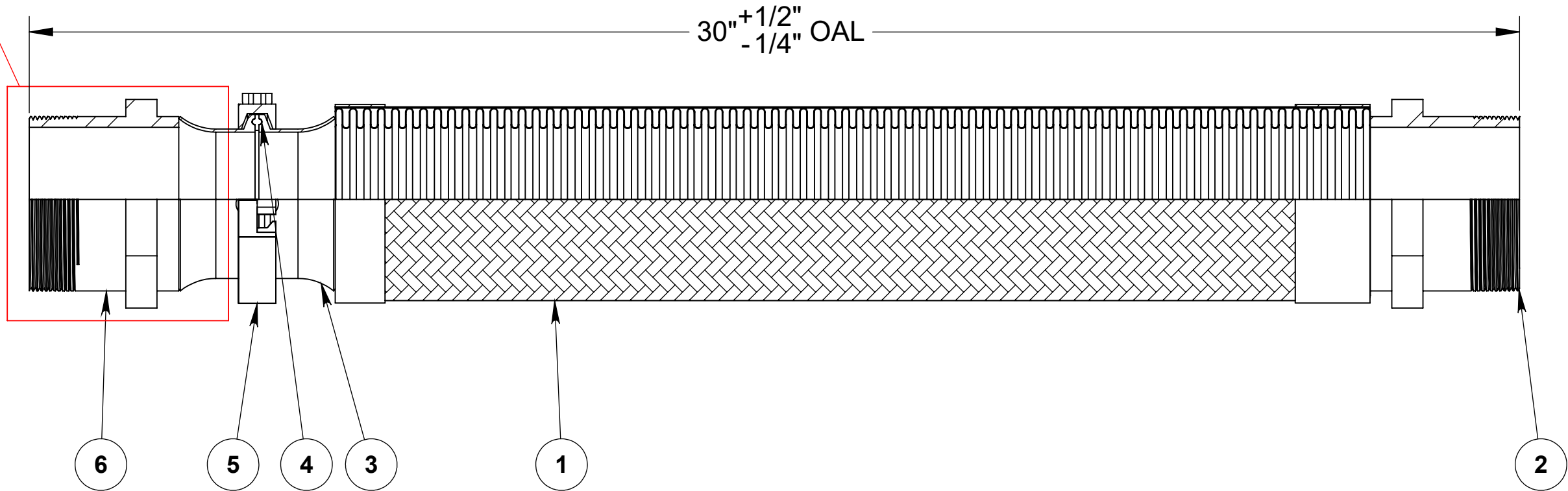
DRAWING #
FSQM0300x24

REV.
-.01 SHEET 1 OF 1

REVISIONS			
REV.	DESCRIPTION	DATE	APPROVED
-		11/30/2023	



Hex male adapter shown represents only one of the various end fittings available. Please refer to the catalog for other options.



NOTE: UL & cULus APPROVED CONNECTORS

----- COMPONENTS LIST -----

ITEM #	QTY.	DESCRIPTION	MATERIAL
1	1	3" AF4750	300 Series Stainless
2	1	3" Hex Male	304
3	1	3" Sanitary Flange	304
4	1	3" QuickClamp Seal	Viton
5	1	3" Quick Clamp	304
6	1	3" Hex Male Adapter	304



HOSE MASTER

1233 East 222nd Street • Cleveland, Ohio 44117
 (800) 221-2319 • Fax: (216) 481-7557 • www.hosemaster.com
 Cleveland • Houston • Atlanta • Reno

ISO 9001
Registered Quality System



DESCRIPTION:
3" x 30" OAL FIRESHIELD QUICKCLAMP ASSEMBLY

DRAWING #
FSQM0300x30

DATE: 11/30/2023

PROJECTION:

REV. **-.01** SHEET 1 OF 1