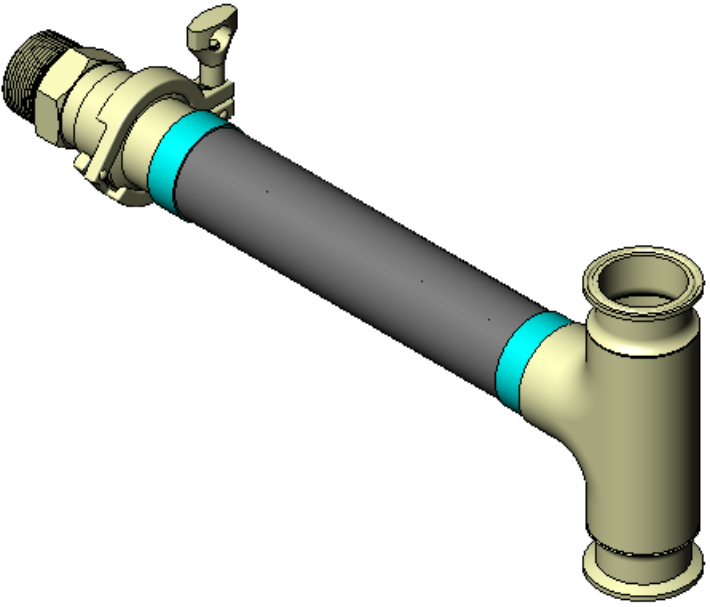
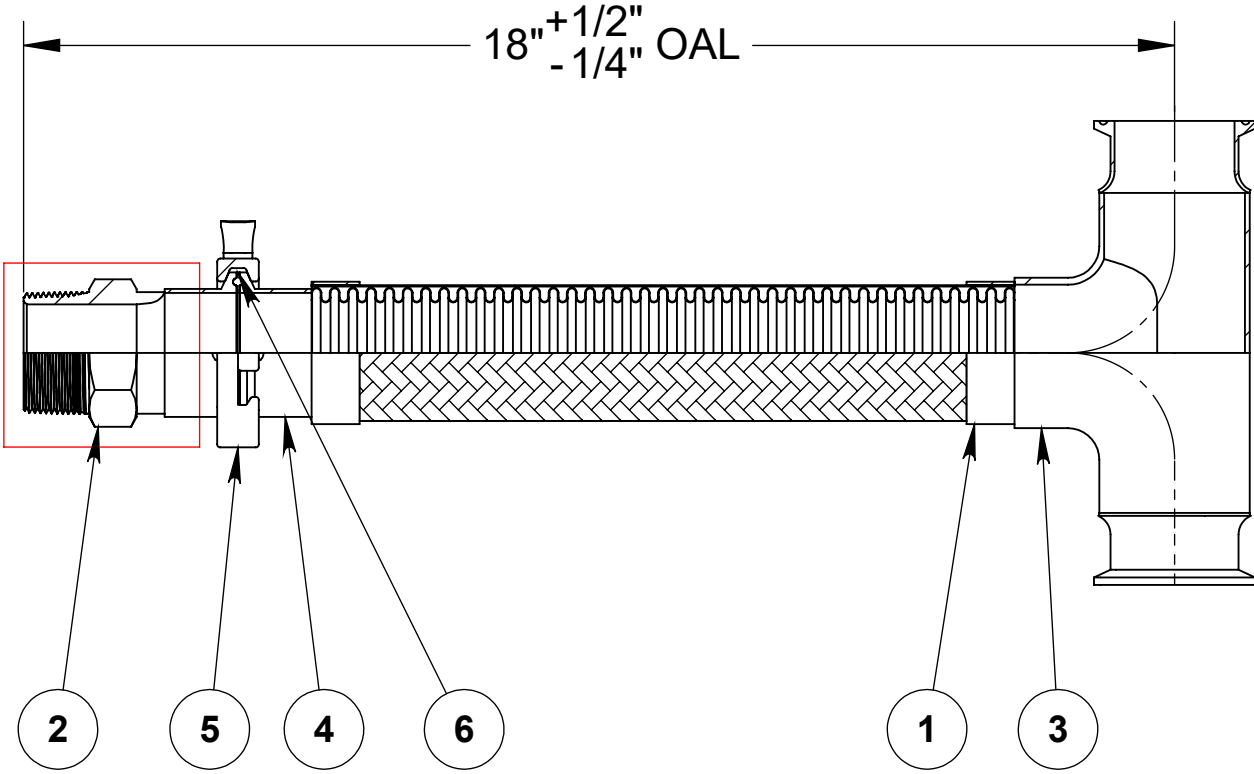


REVISIONS			
REV.	DESCRIPTION	DATE	APPROVED
-		12/13/2023	





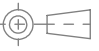
Hex male adapter shown represents one of the various end fittings available. Please refer to catalog for other options.



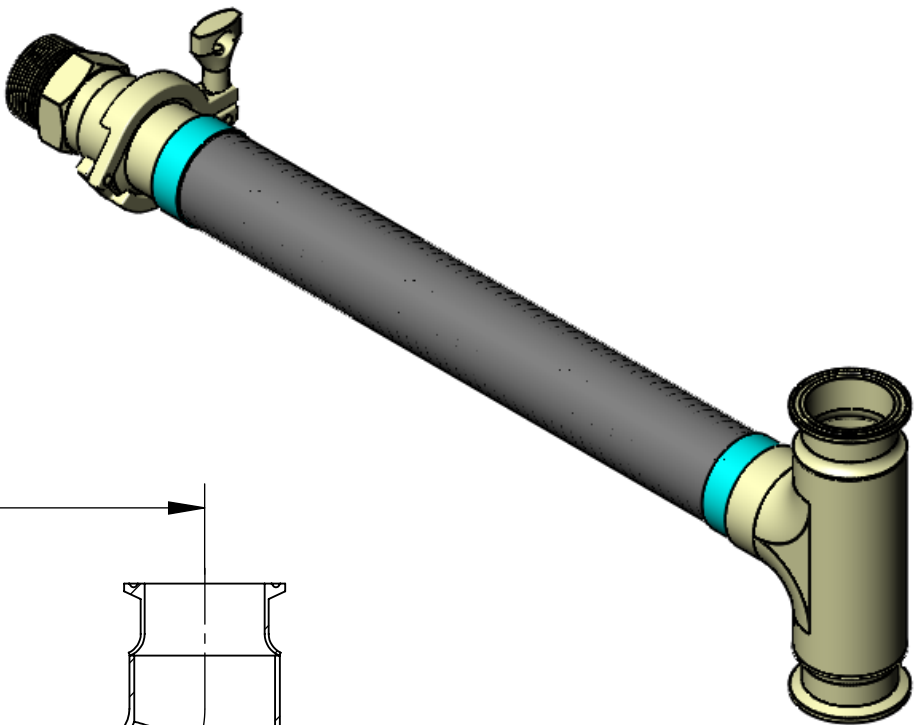
NOTE: UL & cULus APPROVED CONNECTORS

----- COMPONENTS LIST -----

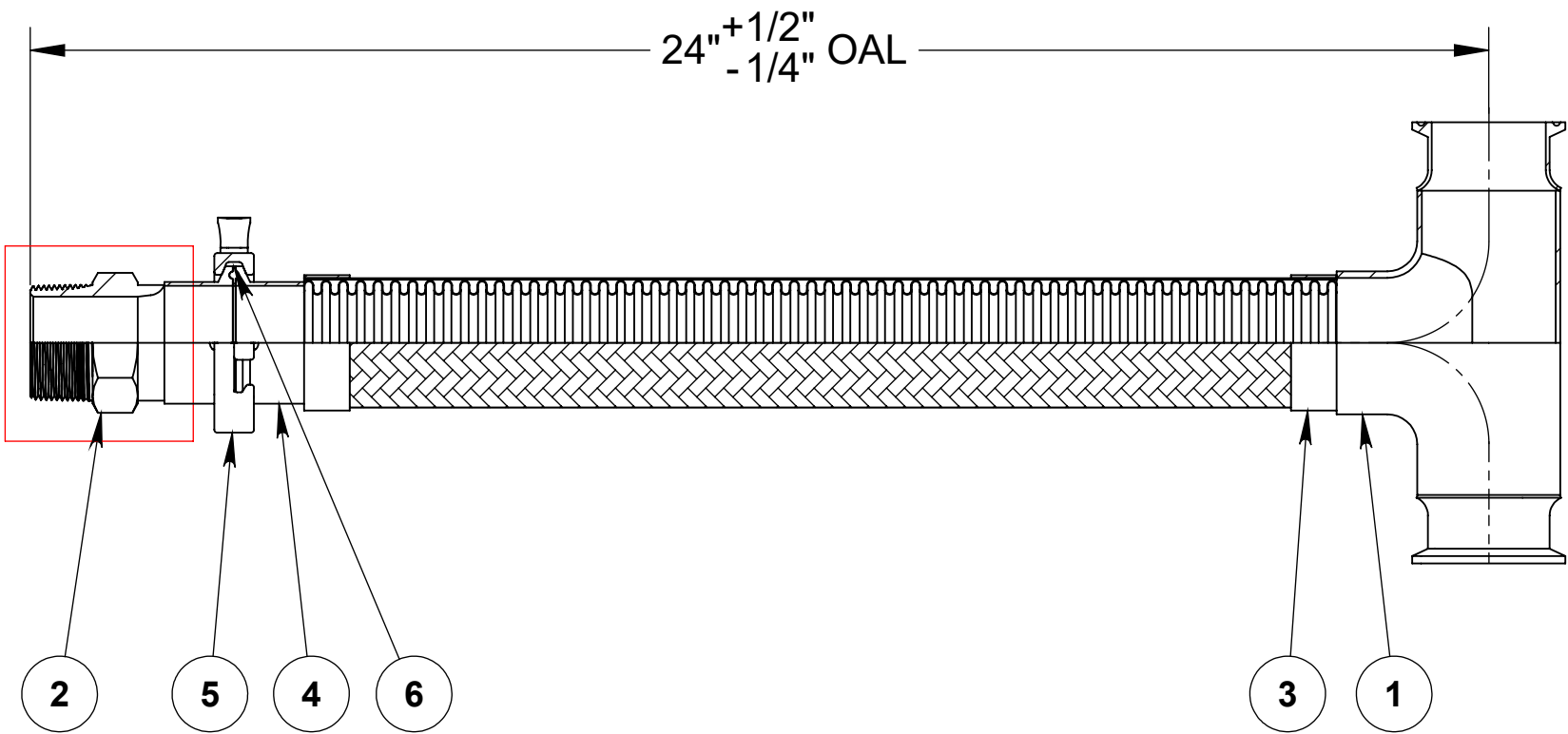
ITEM #	QTY.	DESCRIPTION	MATERIAL
1	1	1-1/2" AF4750 Hose	300 Series Stainless Steel
2	1	1-1/2" QuickClamp Hex Male	304
3	1	2" QuickClamp Tee	304
4	1	2" Sanitary Flange	304
5	1	2" Quick Clamp	304
6	1	2" QuickClamp Seal	Viton

	HOSE MASTER 1233 East 222nd Street • Cleveland, Ohio 44117 (800) 221-2319 • Fax: (216) 481-7557 • www.hosemaster.com Cleveland • Houston • Atlanta • Reno	ISO 9001 Registered Quality System 
	DESCRIPTION: 1-1/2" FIRESHIELD QUICKCLAMP ASSEMBLY	DATE: 12/13/2023 PROJECTION: 
DRAWING # FSQT0150x18	REV. -.02	SHEET 1 OF 1

REVISIONS			
REV.	DESCRIPTION	DATE	APPROVED
-		12/13/2023	



Hex male adapter shown represents only one of the various end fittings available. Please refer to catalog for other options.



NOTE: UL & cULus APPROVED CONNECTORS

----- COMPONENTS LIST -----

ITEM #	QTY.	DESCRIPTION	MATERIAL
1	1	2" QuickClamp Tee	304
2	1	1-1/2" QuickClamp Hex Male	304
3	1	1-1/2" AF4750	300 Series Stainless Steel
4	1	2" Sanitary Flange	304
5	1	2" Quick Clamp	304
6	1	2" QuickClamp Seal	Viton



HOSE MASTER

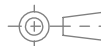
1233 East 222nd Street • Cleveland, Ohio 44117
 (800) 221-2319 • Fax: (216) 481-7557 • www.hosemaster.com
 Cleveland • Houston • Atlanta • Reno

ISO 9001
 Registered Quality System



DATE: 12/13/2023

PROJECTION:



DESCRIPTION:

1-1/2" FIRESHIELD QUICKCLAMP ASSEMBLY

DRAWING #

FSQT0150x24

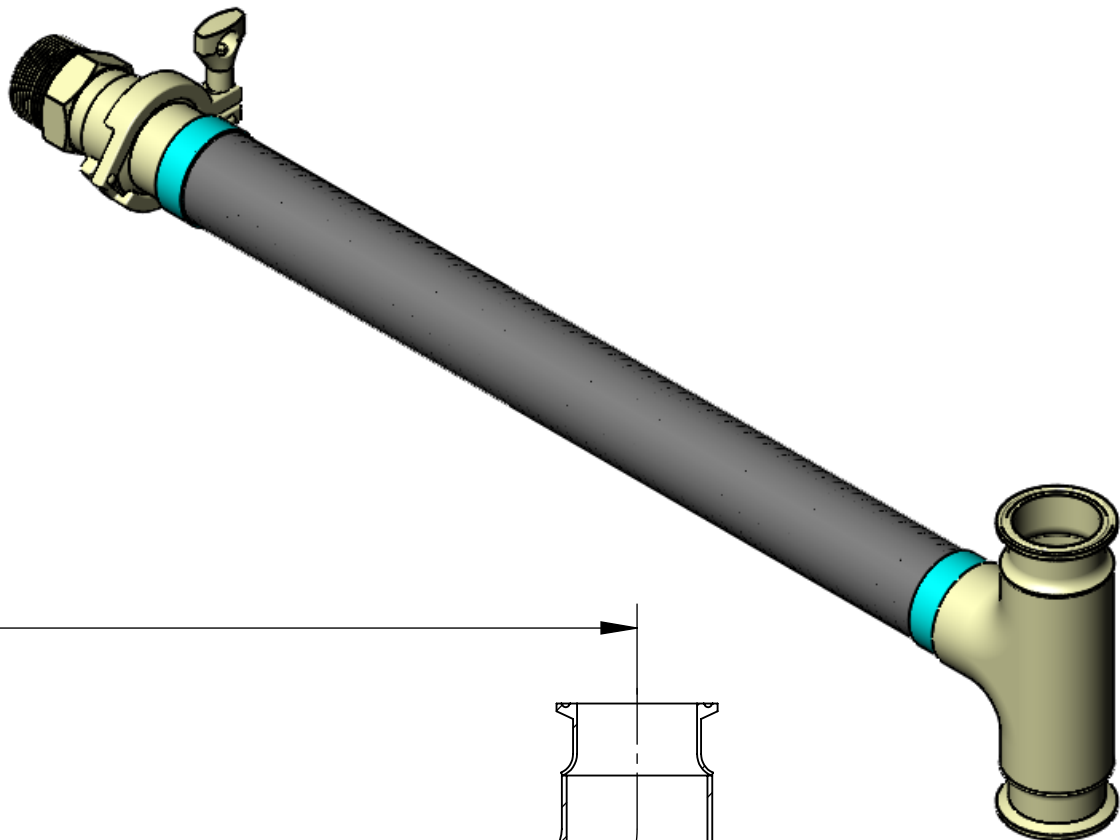
REV.

-

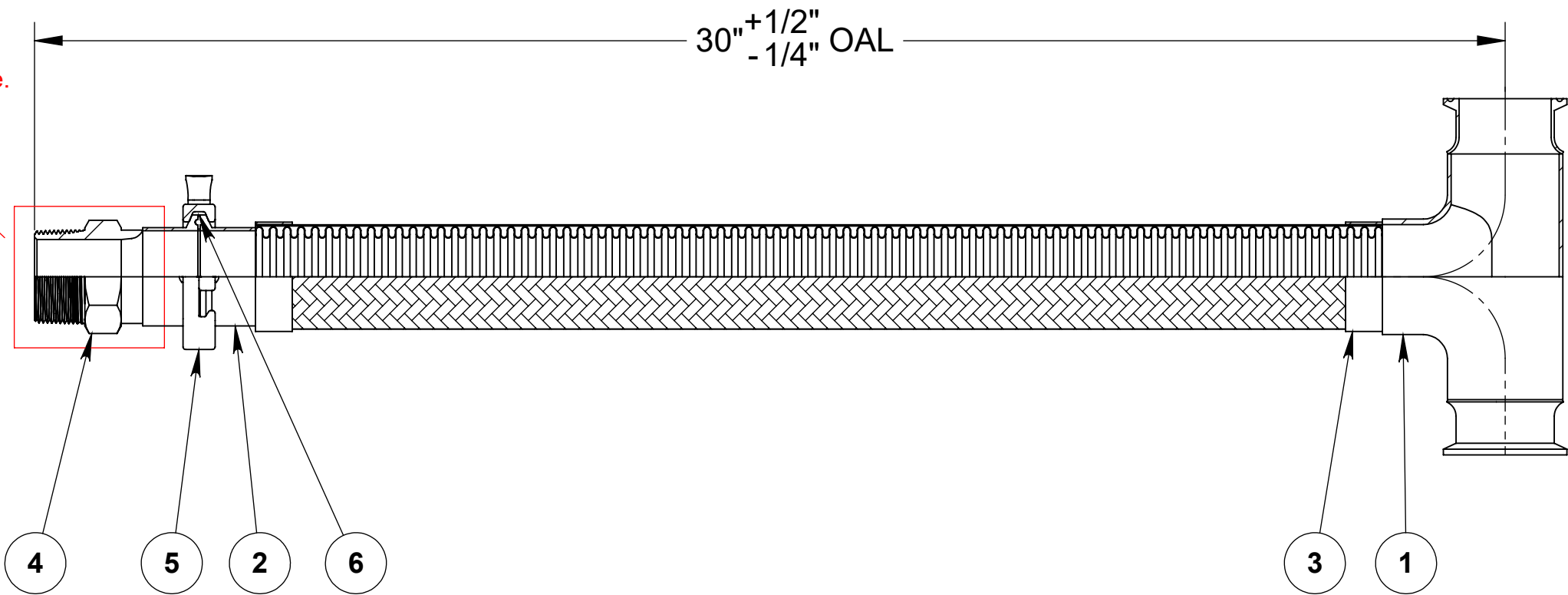
SHEET
 1 OF 1

8 7 6 5 4 3 2 1

REVISIONS			
REV.	DESCRIPTION	DATE	APPROVED
-		12/13/2023	



Hex male adapter shown represents one of the various end fittings available. Please refer to catalog for other options.



NOTE: UL & cULus APPROVED CONNECTORS

----- COMPONENTS LIST -----

ITEM #	QTY.	DESCRIPTION	MATERIAL
1	1	2" QuickClamp Tee	304
2	1	2" Sanitary Flange	304
3	1	1-1/2" AF4750 Hose	300 Series Stainless Steel
4	1	1-1/2" QuickClamp Hex Male	304
5	1	2" Quick Clamp	304
6	1	2" QuickClamp Seal	Viton



HOSE MASTER

1233 East 222nd Street • Cleveland, Ohio 44117
 (800) 221-2319 • Fax: (216) 481-7557 • www.hosemaster.com
 Cleveland • Houston • Atlanta • Reno

ISO 9001
 Registered Quality System



DATE: 12/13/2023

DESCRIPTION:
1-1/2" FIRESHIELD QUICKCLAMP ASSEMBLY

PROJECTION:



DRAWING #
FSQT0150x30

REV. - SHEET 1 OF 1

8 7 6 5 4 3 2 1